

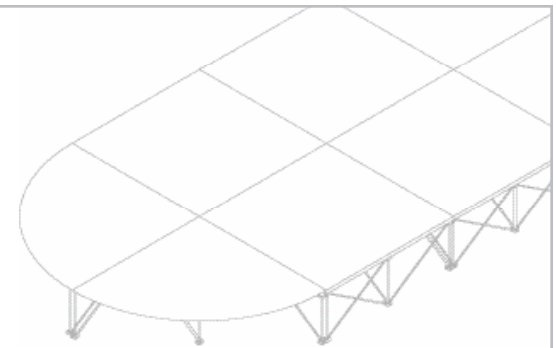
.....



IntelliStage™

12662 Corral Place ★ Santa Fe Springs CA 90670  
Ph: 562.906.6185 ★ Fax: 562.906.6186  
Email: [usa@intelligstage.com](mailto:usa@intelligstage.com) ★ [www.IntelliStage.com](http://www.IntelliStage.com)

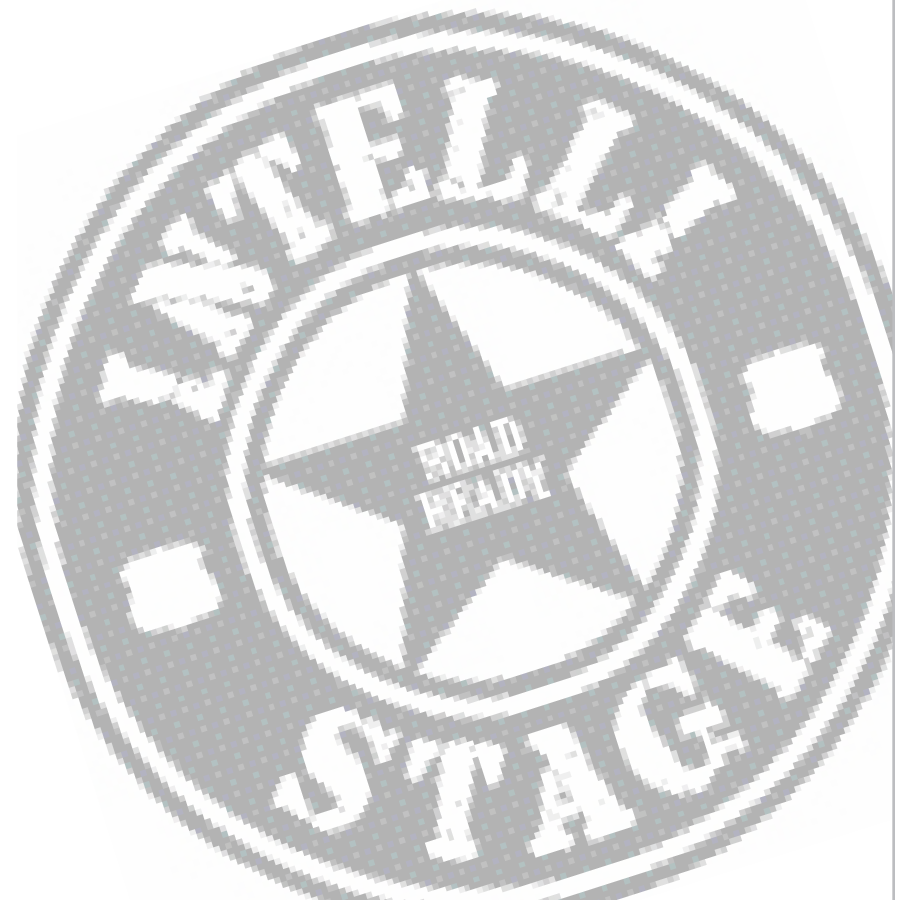
V3.0 - 2.17.09



# IntelliStage

## Portable Stage System

by Road Ready





# IntelliStage

## Portable Stage System

by Road Ready

### Contents

Introduction .....	2
About IntelliStage .....	2
Features .....	3
Specifications .....	3
Storage .....	3
Meet the Components .....	4
Assembly 101 .....	5
Securing Platforms .....	6
Securing Steps or Different Sized Risers .....	7
Note Section .....	8
Prepping Guard Rails .....	9
Guard Rail Templates .....	10-13
Guard Rail Assembly 101 .....	14
Chair Stop Installation .....	15
Typical Stage Configurations .....	15
U.S. Sizes and Configurations .....	16-17
European Sizes and Configurations .....	18-19
Limited 2 Year Warranty .....	19

## Introduction

Thank you for being a Road Ready Customer and welcome to the family.

We do one thing and do it well – build products that make your life easier. Crafting innovative, quality products is our calling and we take it seriously. Strong, lightweight and versatile, your **IntelliStage** system is crafted out of the finest materials available and put through our grueling quality check before it ships out the door.

We thank you for your purchase and know that your **IntelliStage** system will definitely steal the show! However, if you should require any assistance or service, you'll find that we take as much pride in supporting our products as we do in designing and building them.

## About Intellistage

Perfect for schools, Houses of Worship, hotels and event organizers, **IntelliStage** Portable Stage Systems are the ultimate in portability and convenience. Consisting of modular, lightweight platforms and risers that can be combined to create customized stages in various heights and configurations. Easily assembled by a single person, each platform and riser are fastened together using our unique internal locking system and each platform can bear weight up to 157 lbs./sq. Ft (757 KGS/sq. Meter) When it's time to break down, you'll find that disassembly and storage are equally convenient. **IntelliStage** systems are available in kits designed specifically for various applications. See our catalog or website [www.IntelliStage.com](http://www.IntelliStage.com) for details.

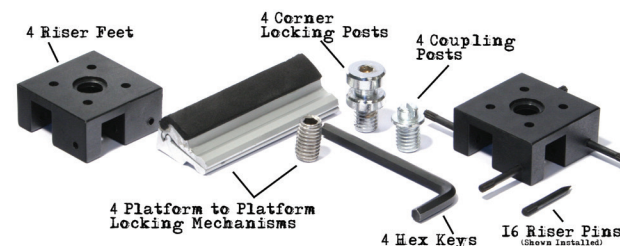
Optional upgrade accessories like flight cases, caster boards, guard rails, chairstops and skirts are also available. Go on, feel free to take the stage.

### Skirts

ISESK2X20	2m wide X 20 cm long Black Skirt
ISESK2X30	2m wide X 30 cm long Black Skirt
ISESK2X40	2m wide X 40 cm long Black Skirt
ISESK2X60	2m wide X 60 cm long Black Skirt

### Accessories

ISSJ	4 pack of Connecting Hardware for various heights of stages & steps
ISREK	4 pack of Riser Extension hardware
IS6LEGX10	10 pack of Drum Riser legs
IS1ORF	10 pack of self adhesive rubber feet to aid with slipper surfaces/ground



ISRK	Replacement parts kit
	4 Platform to Platform Locking Mechanisms
	4 Corner Locking Posts
	4 Coupling Posts
	16 Riser Pins
	4 Riser Feet
	4 Hex Keys

View Our Instructional Video  
online at [www.intellistage.com](http://www.intellistage.com)

## Limited 2 Year Warranty

Road Ready warrants to the original owner of each new IntelliStage product, for a period of 2 years from the date of purchase, (provided that is purchased at an Authorized Intellistage Dealer) that is free of defects in materials and workmanship and that each product meets or exceeds all factory published specifications. This warranty is void if the product has been tampered with or misused beyond reasonable wear, and shall not apply if the product has been physically damaged. Improper handling, set-up or use of this unit could cause it to fail which could lead to serious injury or death. Please be sure to read, understand and follow all operating instructions and weight load information in this manual before using this product. Do not allow children or untrained persons to use this product. There are no obligations of liability on the part of Road Ready for any personal injuries, death, consequential damage or any other indirect damages with respect to, loss of property, revenues, profit or costs of removals, installations or re-installations arising out of, or in connection with, the use or performance of an IntelliStage product.

## Sizes & Configurations (European)

### Platforms

#### Rectangle and Square Platforms

ISPE2X1CS	2m x 1m Carpet Finish Platform (single pack)
ISPE2X1CD	2m x 1m Carpet Finish Platforms (2 pcs per master pack)
ISPE2X1TS	2m x 1m Tuffcoat Finish Platform (single pack)
ISPE2X1TD	2m x 1m Tuffcoat Finish Platforms (2 pcs per master pack)
ISPE2X1IS	2m x 1m Industrial Finish Platform (single pack)
ISPE2X1ID	2m x 1m Industrial Finish Platforms (2 pcs per master pack)
ISPE1X1CS	1m x 1m Carpet Finish Platform (single pack)
ISPE1X1CD	1m x 1m Carpet Finish Platforms (2 pcs per master pack)
ISPE1X1TS	1m x 1m Tuffcoat Finish Platform (single pack)
ISPE1X1TD	1m x 1m Tuffcoat Finish Platforms (2 pcs per master pack)
ISPE1X1IS	1m x 1m Industrial Finish Platform (single pack)
ISPE1X1ID	1m x 1m Industrial Finish Platforms (2 pcs per master pack)
ISPE1X0.5CS	1m x .5m Carpet Finish Platform (single pack)
ISPE1X0.5CD	1m x .5m Carpet Finish Platforms (single pack)
ISPE1X0.5TS	1m x .5m Tuffcoat Finish Platform (single pack)
ISPE1X0.5TD	1m x .5m Tuffcoat Finish Platforms (2 pcs per master pack)
ISPE1X0.5IS	1m x .5m Industrial Finish Platform (single pack)
ISPE1X0.5ID	1m x .5m Industrial Finish Platforms (2 pcs per master pack)

#### Folding Platforms

ISPEF1X1C	1m x 1m Carpet Folding Platform
ISPEF1X1T	1m x 1m Tuffcoat Folding Platform
ISPEF1X1I	1m x 1m Industrial Folding Platform

#### Triangle Platforms

ISTPEC	1m Carpet Finish Triangle Platform
ISTPET	1m Tuffcoat Finish Triangle Platform
ISTPEI	1m Industrial Finish Triangle Platform

#### Quarter Round Platforms

ISQRPEC	1m Carpet Finish Quarter Round Platform
ISQRPET	1m Tuffcoat Finish Quarter Round Platform
ISQRPEI	1m Industrial Finish Quarter Round Platform

#### Step Platforms

ISSTPEPC	1 Meter Long Carpet Finish Euro Step
ISSTPETP	1 Meter Long Tuffcoat Finish Euro Step
ISSTPEPI	1 Meter Long Industrial Finish Euro Step

### Risers

#### Risers for 2m x 1m platforms

ISE2X1X20	20cm High
ISE2X1X30	30cm High
ISE2X1X40	40cm High
ISE2X1X60	60cm High

#### Risers for 1m x 1m platforms

ISE1X1X20	20cm High
ISE1X1X30	30cm High
ISE1X1X40	40cm High
ISE1X1X60	60cm High

#### Risers for 1m x .5m Platforms

ISE1X.5X20	20cm High
ISE1X.5X30	30cm High
ISE1X.5X40	40cm High
ISE1X.5X60	60cm High

#### Risers for 1m Triangle Platforms

ISET1X20	20cm High
ISET1X30	30cm High
ISET1X40	40cm High
ISET1X60	60cm High

#### Risers for 1m Quarter Round Platforms

ISEQR1X20	20cm High
ISEQR1X30	30cm High
ISEQR1X40	40cm High
ISEQR1X60	60cm High

#### Risers for Step Platforms

ISESTEP20	20cm High
ISESTEP30	30cm High
ISESTEP40	40cm High

### Guard Rails

ISE1X1GRPD	Guard Rail for 2X1 and 1X1 platforms (2 pcs per master pack)
ISESTEPGRPD	Guard Rail for step platforms (2 pcs per master pack)

### Guard Rail Hardware

IS2CMB	2 pack of Guard Rail Corner Mounting Brackets
IS2SMB	2 pack of Guard Rail Side Mounting Brackets
IS10MS	10 pack of Guard Rail to platform Mounting Screws

### Chair Stops

ISECSTOP	1m Descending Chair Stop - For use between platforms.
ISECSTOP5	1m Ascending Chair Stop - For use on top platforms.

### Transportation Systems

ISEC6X2X1C	Flight Case for 6 pcs. of 2m x 1m platforms with matching risers & front access door
ISEC6X1X1C	Flight Case for 6 pcs. of 1m x 1m platforms with matching risers
ISE2CB	Caster Board for 20 pcs. of 2m x 1m platforms
ISE1CB	Caster Board for 36 pcs. of 1m x 1m platforms
ISE2X1AC	Accessory Case for 10 risers and skirts
ISE1X1AC	Accessory Case for 18 risers and skirts

## Features:

### Platforms:

- Lightweight and compact for easy setup, transport and storage
- Durable grey carpet, Tuffcoat and Industrial finish
- Multiple layer platform construction featuring honeycomb structure with a weight capacity of up to 157 lbs./sq. Ft (757 KGS/sq. Meter)
- Convenient cable and electrical ports on select platforms
- Integrated platform interlocking system
- Metal reinforced corners and aluminum profile edges

### Risers:

- Universal, collapsible lightweight risers available in standard height configurations.

## Specifications:

### Platforms:

Finish:	• Grey carpet • Tuffcoat • Industrial
Materials:	• Multiple layer sandwich construction <ul style="list-style-type: none"> <li>• Top: 22/64" (9 mm) high density plywood</li> <li>• Middle: 19/32" (15 mm) honeycomb</li> <li>• Bottom: 9/64" (4 mm) high-density plywood</li> </ul>
Sizes:	See page 16 (U.S.) and 18 (European)

### Risers:

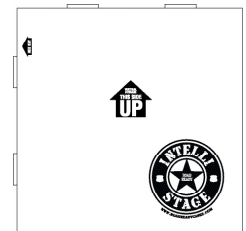
Finish:	• Brushed aluminum
Materials:	• Aluminum • Copper • ABS Plastic
Dimensions (height):	See page 16 (U.S.) and 18 (European)

**Weight Capacity:** 157 lbs./sq. Ft (757 KGS/sq. Meter)

## Storage:

When storing your stage system, be sure to heed the arrows on the bottom of the platforms. This is to ensure that the panel interlocking devices are not damaged.

Recommended platform storage position

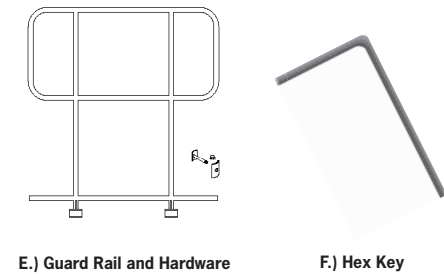
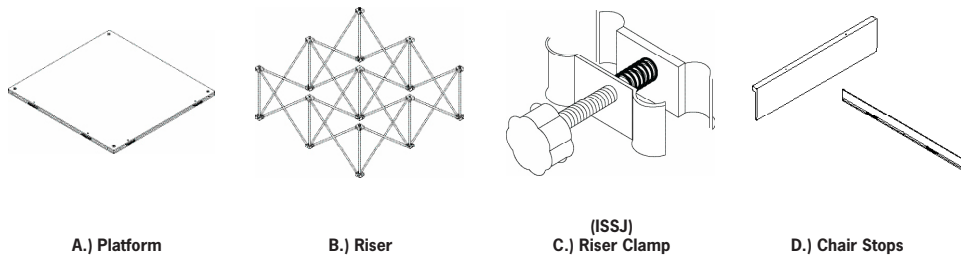


## Important Safety Instructions:

- 1.) Read and follow all instructions
- 2.) Do not exceed the maximum weight capacity
- 3.) Do not vertically couple more than 2 risers
- 4.) Completely secure all fasteners
- 5.) Assemble and use only on a flat and level surface

## Meet the Components:

Putting together your **IntelliStage** system was designed to be simple enough for anyone to do. Consequently, the number of components you will encounter in the assembly process is limited. Nonetheless, let's take a moment for a little meet and greet...



### A.) Platform

Durable, modular stage surface - supports up to 185 lbs./sq. ft. (900kg/sq. meter).

### B.) Riser

Supports platform surface - available in 8", 16", 24" and 32" (20, 30, 40 & 60 cm.) heights.

### C.) Riser Clamp (ISSJ)

Provides support in situations where you would like to secure risers of different heights. Device is also used to secure steps to each other, as well as to platform risers.

### D.) Chair Stops

Chair stops prevent chair legs from slipping off the top of a stage or between platforms of different heights.

### E.) Guard Rail and Hardware

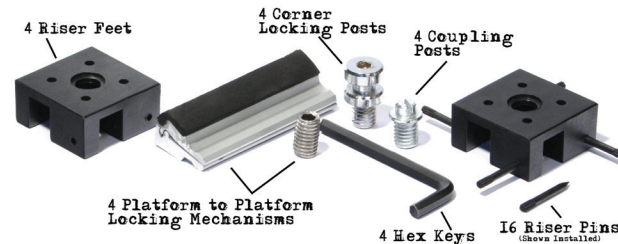
Guard rails are an optional add on to any stage or step system that provides an additional measure of safety for performers. Corner bracket hardware (IS2CMB) is sold separately.

### F.) Hex Key

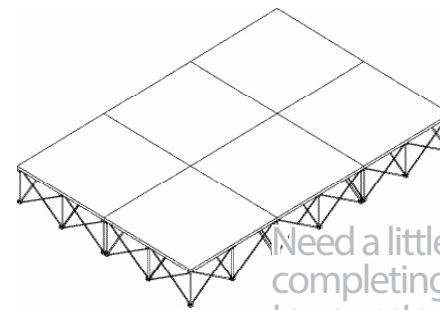
Probably the only tool other than a screwdriver you'll need to put your stage system together.

## Accessories

- ISSJ 4 pack of Connecting Hardware for various heights of stages & steps
- ISREK 4 pack of Riser Extension hardware
- IS6LEGX10 10 pack of Drum Riser legs
- IS10RF 10 pack of self adhesive rubber feet to aid with slipper surfaces/ground

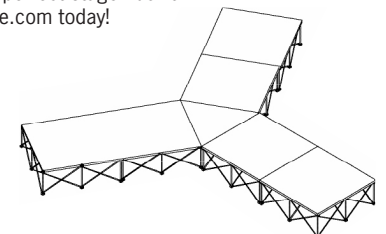


- ISRK Replacement parts kit
- 4 Platform to Platform Locking Mechanisms
- 4 Corner Locking Posts
- 4 Coupling Posts
- 16 Riser Pins
- 4 Riser Feet
- 4 Hex Keys



Need a little help completing or adding to your stage?

Our online IntelliStage™ software tool helps ensure you get all the platforms, risers, skirting and other accessories you need to complete your stage just the way you want it. Our software is also multi-lingual and supports several different languages! If you need a little help creating your perfect stage - don't delay, log onto [www.IntelliStage.com](http://www.IntelliStage.com) today!





## Sizes & Configurations (U.S.)

### Platforms

#### Square Platforms

ISP3X3CD	3' X 3' Carpet Finish Platforms (2 pcs per master pack)
ISP3X3TD	3' X 3' Tuffcoat Finish Platforms (2 pcs per master pack)
ISP3X3ID	3' X 3' Industrial Finish Platforms (2 pcs per master pack)
ISP4X4CD	4' X 4' Carpet Finish Platforms (2 pcs per master pack)
ISP4X4TD	4' X 4' Tuffcoat Finish Platforms (2 pcs per master pack)
ISP4X4ID	4' X 4' Industrial Finish Platforms (2 pcs per master pack)

#### Folding Platforms

ISPF4X4C	4' X 4' Carpet Folding Platform
ISPF4X4T	4' X 4' Tuffcoat Folding Platform
ISPF4X4I	4' X 4' Industrial Folding Platform

#### Triangle Platforms

ISTPC3	3' Carpeted Triangle Platform
ISTPT3	3' Tuffcoat Triangle Platform
ISTPI3	3' Industrial Triangle Platform
ISTPC4	4' Carpeted Triangle Platform
ISTPT4	4' Tuffcoat Triangle Platform
ISTPI4	4' Industrial Triangle Platform

#### Quarter Round Platforms

ISQRPC3	3' Carpeted Quarter Round Platform
ISQRPT3	3' Tuffcoat Quarter Round Platform
ISQRPI3	3' Industrial Quarter Round Platform
ISQRPC4	4' Carpeted Quarter Round Platform
ISQRPT4	4' Tuffcoat Quarter Round Platform
ISQRPI4	4' Industrial Quarter Round Platform

#### Step Platforms

ISSTEP3	3' X 1' Carpeted Step Platform
ISSTEP4	3' X 1' Tuffcoat Step Platform
ISSTEPI	3' X 1' Industrial Step Platform

### Risers

#### Risers for 4' X 4' Platforms

IS4X4X8	8" High Riser
IS4X4X16	16" High Riser
IS4X4X24	24" High Riser
IS4X4X32	32" High Riser

#### Risers for 3' X 3' Platforms

IS3X3X8	8" High Riser
IS3X3X16	16" High Riser
IS3X3X24	24" High Riser
IS3X3X32	32" High Riser

#### Risers for 4' Triangle Platforms

IST4X8	8" High Riser
IST4X16	16" High Riser
IST4X24	24" High Riser
IST4X32	32" High Riser

#### Risers for 3' Triangle Platforms

IST3X8	8" High Riser
IST3X16	16" High Riser
IST3X24	24" High Riser
IST3X32	32" High Riser

#### Risers for 4' Quarter Round Platforms

ISQR4X8	8" High Riser
ISQR4X16	16" High Riser
ISQR4X24	24" High Riser
ISQR4X32	32" High Riser

#### Risers for 3' Quarter Round Platforms

ISQR3X8	8" High Riser
ISQR3X16	16" High Riser
ISQR3X24	24" High Riser
ISQR3X32	32" High Riser

#### Risers for Step Platforms

ISSTEP8	8" High Riser
ISSTEP16	16" High Riser
ISSTEP24	24" High Riser

### Guard Rails

IS4X4GRPD	Guard Rail for 4' X 4' platforms (2 pcs per master pack)
IS3X3GRPD	Guard Rail for 3' X 3' platforms (2 pcs per master pack)
ISSTEPGRPD	Guard Rail for step platforms (2 pcs per master pack)

### Guard Rail Hardware

IS2CMB	2 pack of Guard Rail Corner Mounting Brackets
IS2SMB	2 pack of Guard Rail Side Mounting Brackets
IS1OMS	10 pack of Guard Rail to platform Mounting Screws

### Chair Stops

IS4CSTOP	4' Descending Chair Stop - For use between platforms.
IS4CSTOP2	4' Ascending Chair Stop - For use on top platforms.
IS3CSTOP	3' Descending Chair Stop - For use between platforms.
IS3CSTOP2	3' Ascending Chair Stop - For use on top platform.

### Transportation Systems

ISC6X4X4C	Flight Case for 6 pcs. of 4' X 4' platforms with matching risers & front access door
ISC6X3X3C	Flight Case for 6 pcs. of 3' X 3' platforms with matching risers
IS4X4CB	Caster Board for 24 pcs. of 4' X 4' platforms
IS3X3CB	Caster Board for 36 pcs. of 3' X 3' platforms
IS4X4AC	Accessory Case for 12 risers and skirts
IS3X3AC	Accessory Case for 18 risers and skirts

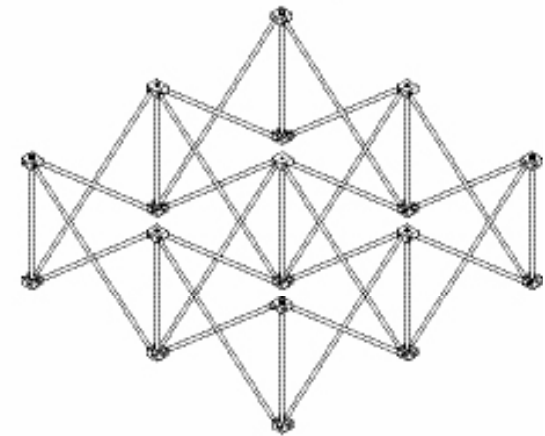
### Skirts

ISSK4X8	4' wide, 8" long Black Skirt
ISSK4X16	4' wide, 16" long Black Skirt
ISSK4X24	4' wide, 24" long Black Skirt
ISSK4X32	4' wide, 32" long Black Skirt

## Assembly 101: Securing Platforms 2 Risers

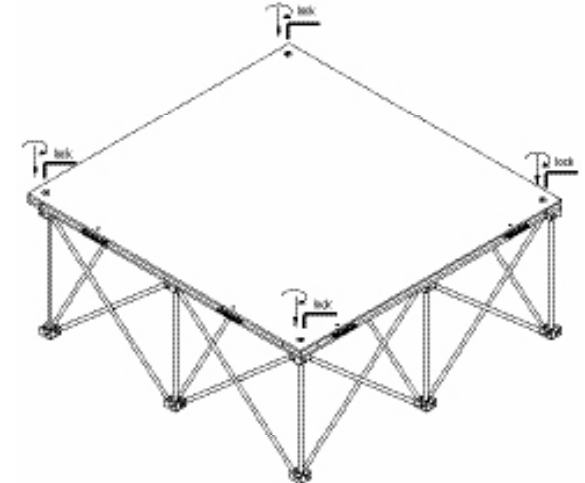
Getting your stage system up and running has never been easier than this. You are literally minutes away from having a sturdy, professional presentation platform.

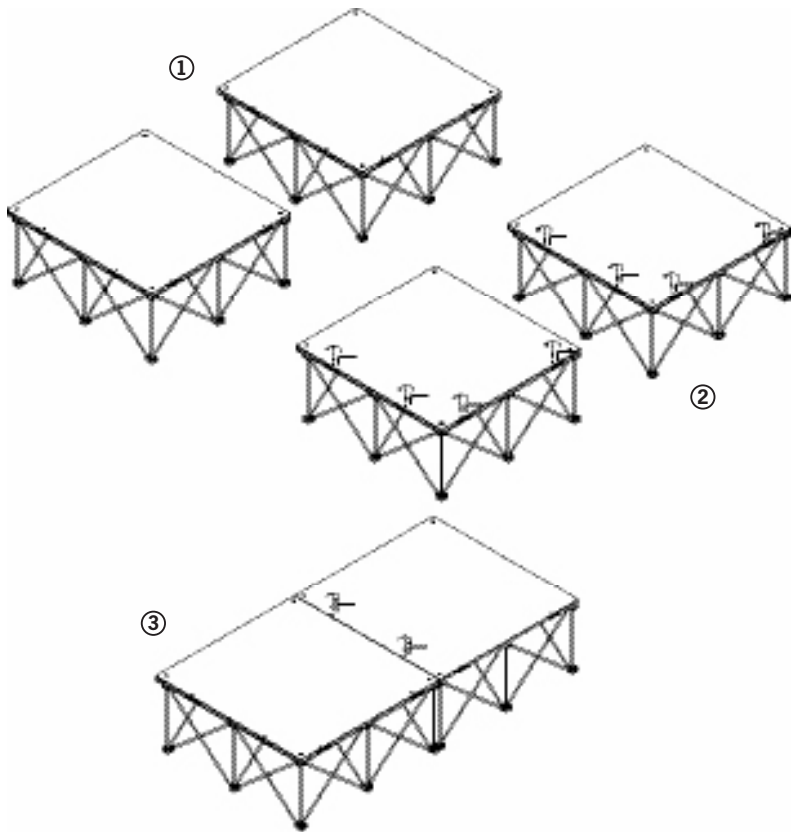
- Unpack your platform and risers.
- Expand riser completely
- Properly align platform and place onto riser. Verify that all riser to platform connection points and corner locking mechanisms are properly aligned in their platform hole.
- Lock platform to riser by turning the corner locking screws clockwise with the included hex key until tightly secured.
- To assemble steps, follow the same procedure.



**Note:** You'll find your hex key in the foam key holder in the groove next to the platform locking mechanism indicated by the arrow on the

### What You'll Need:

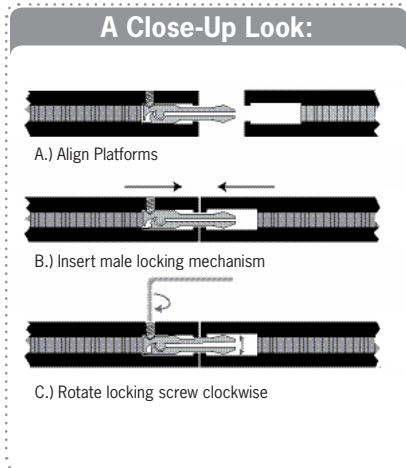




### Securing Platforms To Platforms

IntelliStage systems feature a unique, easy to use platform inter-locking system that ensures a safe, level performance surface.

- 1.) Expand risers completely and attach platforms as described in **Assembly 101**
- 2.) **(A)** Align platforms and make sure that the platform interlocking devices are in the closed position
- 3.) **(B)** Insert male locking mechanism into groove on opposite platform. **(C)** Rotate locking screw clockwise. Repeat until your stage system is complete.

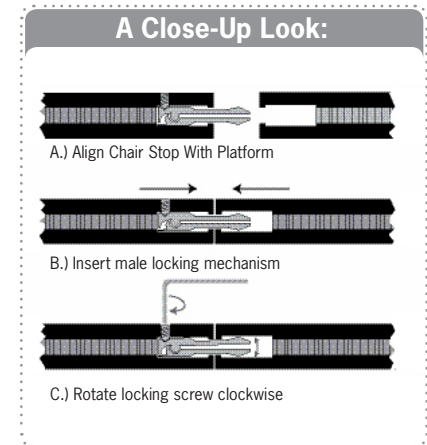
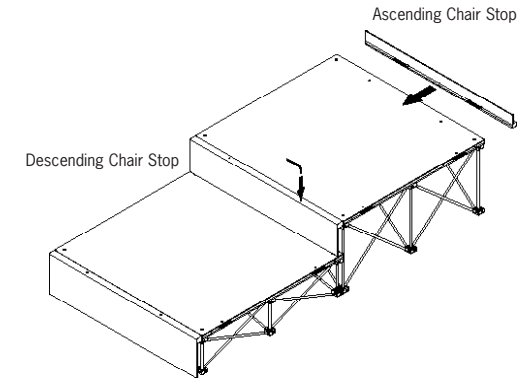


### Chair Stop Installation

To install chair stops completely set up your stage before beginning the next steps.

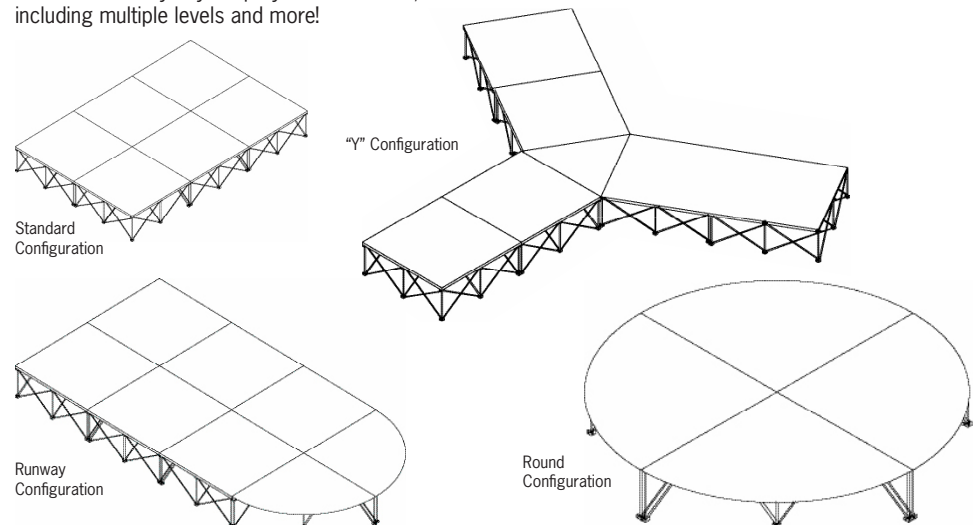
- First familiarize yourself with your chair stop. There are two types of chair stops: Ascending (for use on top platforms) and Descending (for use between platforms).
- Orientate your chair stop “right side up” (hex screw should be on top) and align with your platform or step.
- Using a hex key secure the chair stop to the platform by turning the locking mechanism clockwise until tight.

**Note:** You may have to remove platform to platform locking mechanisms to complete your configuration. Locking mechanisms unscrew and slide out of platforms



### Typical Stage Configurations

With your IntelliStage system, the configuration possibilities are endless – your boundaries are only safety limitations and your imagination. In addition to these typical stage setups, you can create nearly any shape you can think of, including multiple levels and more!



## Guard Rail Assembly 101

Completely set up your stage with drilled guard rail platforms before beginning the next steps.

1.) Align guard rail with holes and slide rail onto platform.

2.) Secure guard rail with bolt and large hex key as shown.

Secure all guard rails to platforms before proceeding.

3.) Couple side guard rails together with IS2SMB (included w/rail packages) hardware and a small hex key.

4.) Where applicable couple corner guard rails together with IS2CMB hardware (sold separately) and a small hex key.

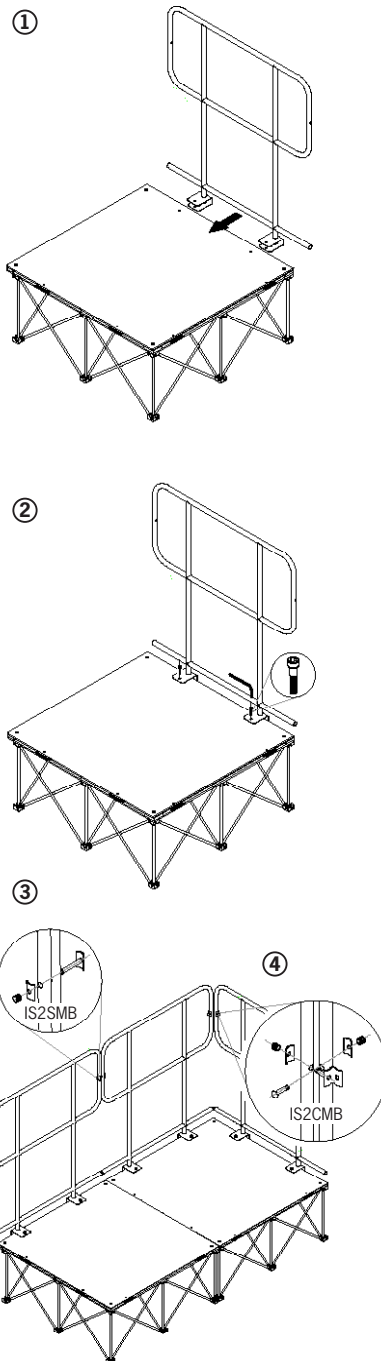
To assemble steps, follow the same procedure.

**Note: Do not use guard rails on folding platforms.**

### What You'll Need:



Large and Small Hex Key



## Securing Steps or Risers of Different Heights (ISSJ)

When designing a custom stage configuration, you may encounter situations where you would like to use risers of different heights. Because the platform inter-locking mechanism will not work in this scenario, we've designed an alternate method that provides the same level of security. This is the same procedure that you would use when securing steps both to each other and to the stage risers.

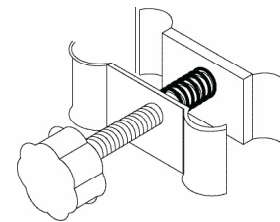
1.) Expand and align risers. Mount stage platforms as described in **Assembly 101**.

2.) If necessary, loosen clamp by turning knob counter-clockwise. Insert clamp between riser and rotate entire clamp in either direction until aligned properly (see figure 3).

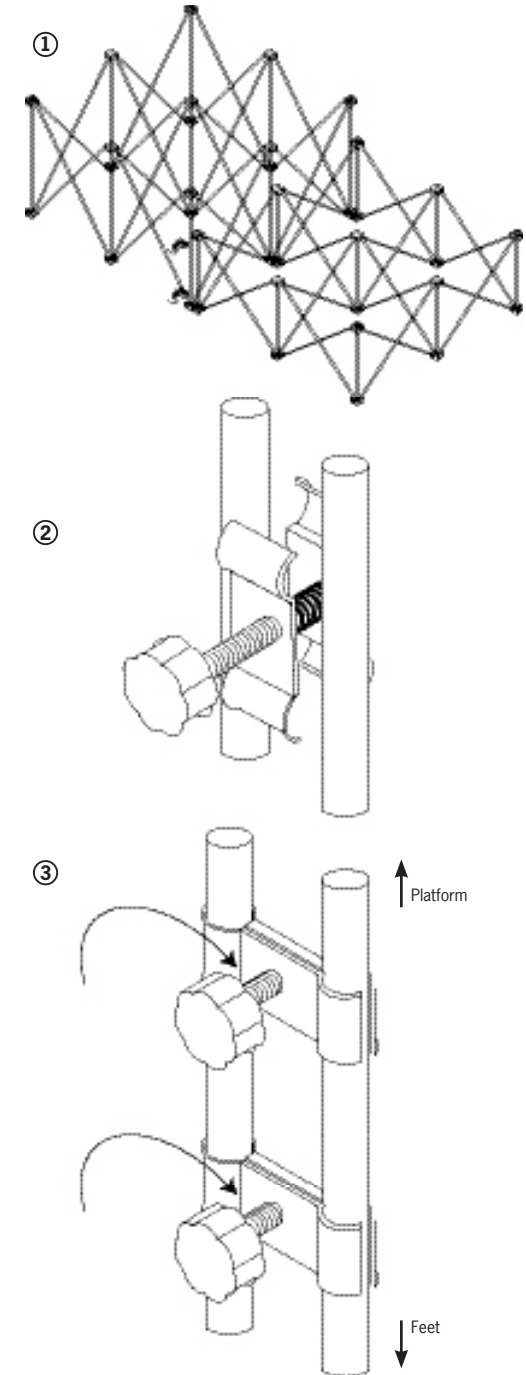
3.) Secure riser clamps – by turning knob clockwise.

4.) To secure a single platform or step use a minimum of one package ISSJ hardware (4pk). Use 2 ISSJs per platform corner (see figures 1 and 3) and secure a minimum of 2 of the platforms adjoining corners.

### What You'll Need:



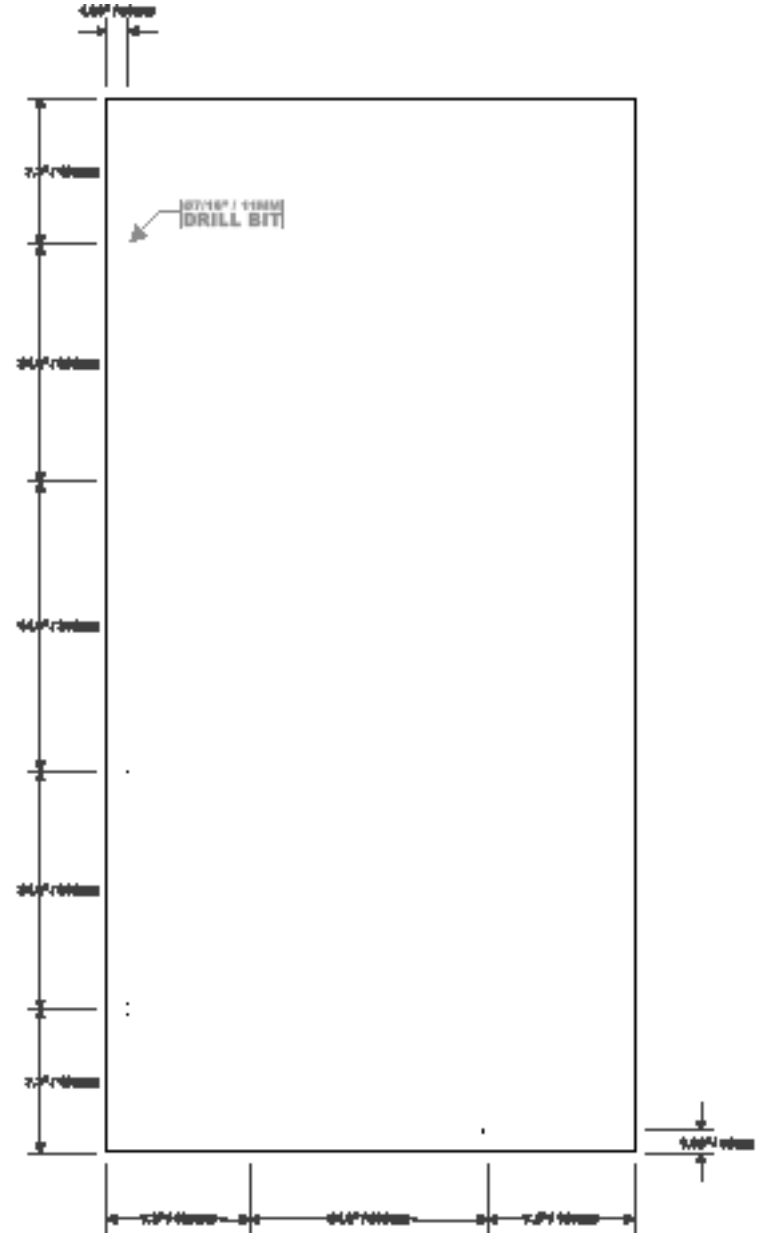
Riser Clamp



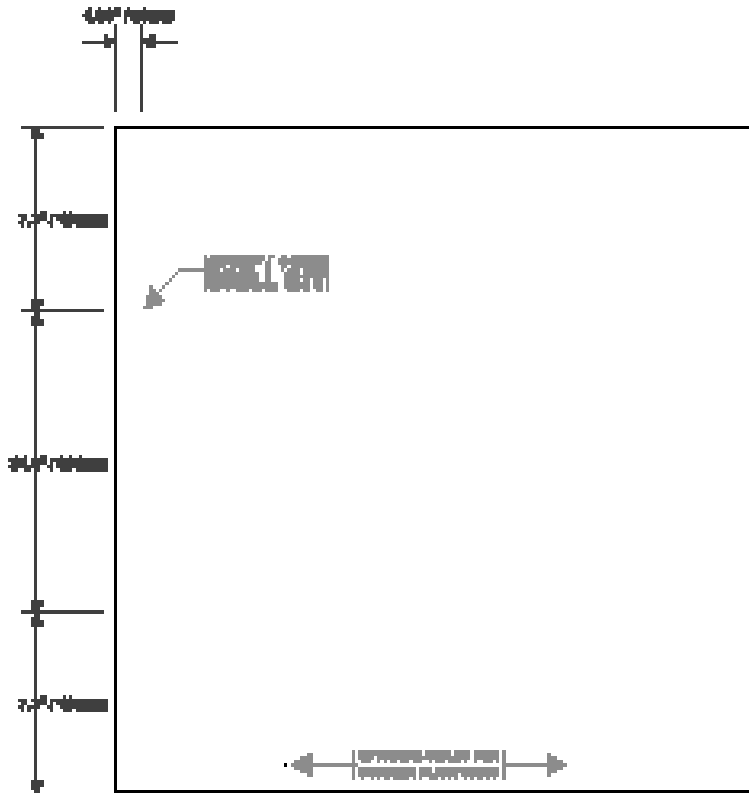


# Notes

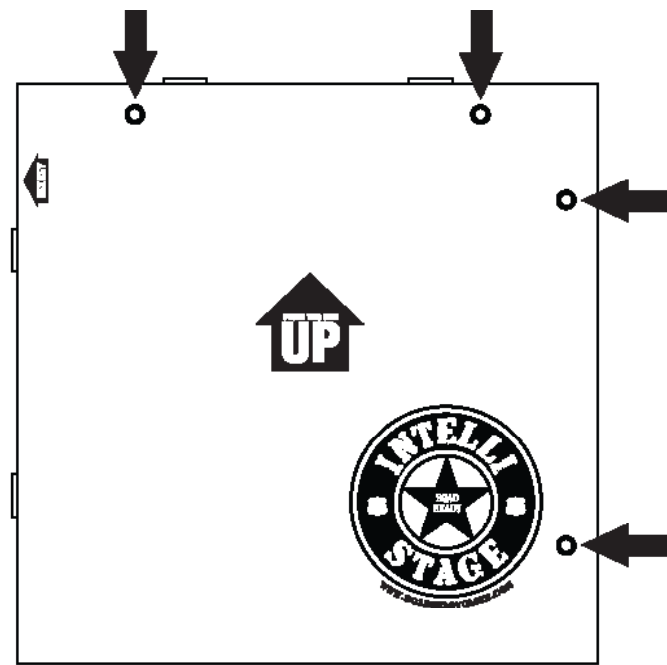
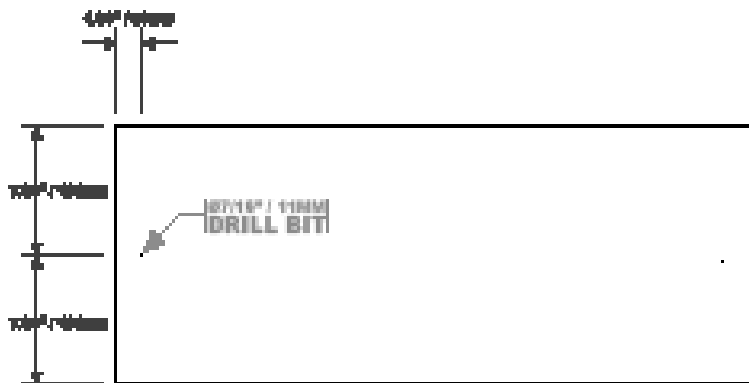
# 2X1M TEMPLATE



## 1X1M TEMPLATE



## EURO STEP TEMPLATE



## Prepping for Guard Rails

IntelliStage platforms and steps must be drilled to accommodate guard rails. Newer platforms have marked guide holes indicating where to drill. Older platforms must be marked using a template before drilling can occur. Templates are located on pages 10-13.

- If your platform does not have marked guide holes as indicated by the black arrows in the above illustration, use the appropriate template (pgs 10-13) and mark the drilling locations as needed.
- Drill through the platform with a 7/16" or 11mm drill bit. Make sure to keep the drill perpendicular to the platform while drilling.

**Note:** Only drill the required holes for your platform configuration. **Do not use guard rails on folding platforms.**

### What You'll Need:



Hole Templates (pgs 10-13)

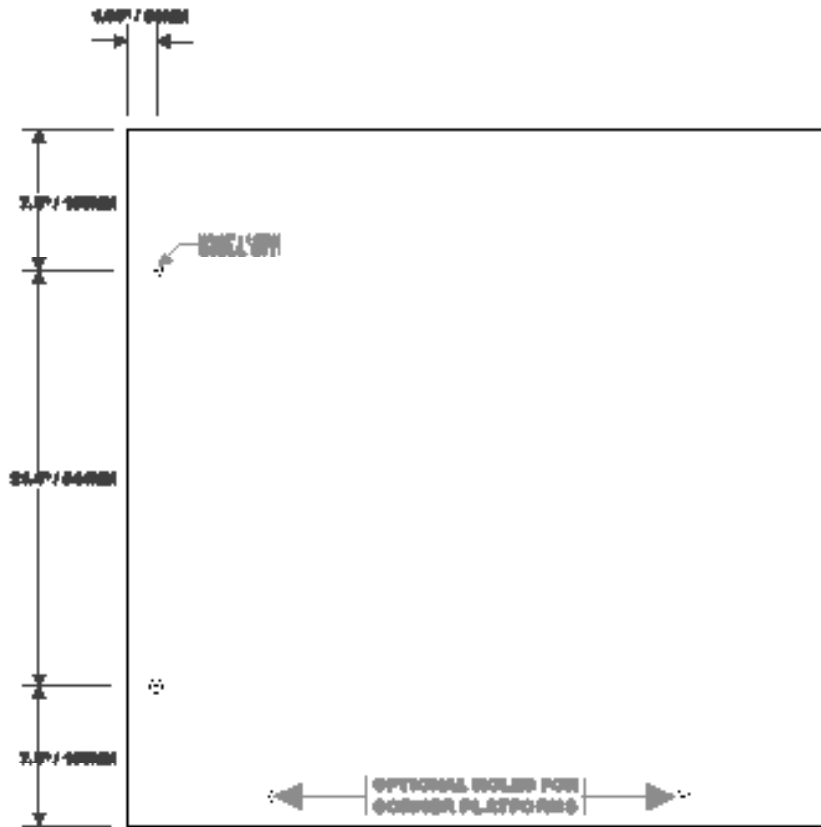


Ruler & Writing Instrument

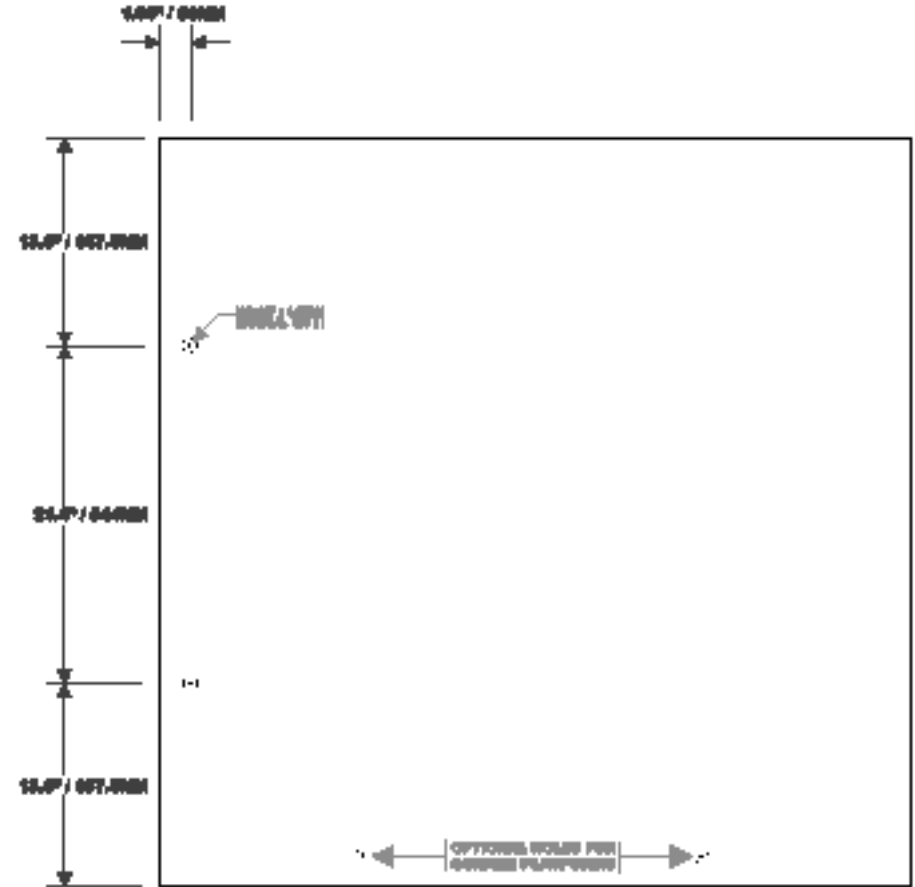


Power Drill

### 3'X3' TEMPLATE



### 4'X4' TEMPLATE



### US STEP TEMPLATE



### Important Template Instructions:

- 1.) Double check measurements before drilling
- 2.) Use a pilot hole or punch to mark drilling location
- 3.) Read and follow all power tool instructions
- 4.) Holes can be drilled on all 4 sides as needed
- 5.) **Do not use guard rails on folding platforms.**