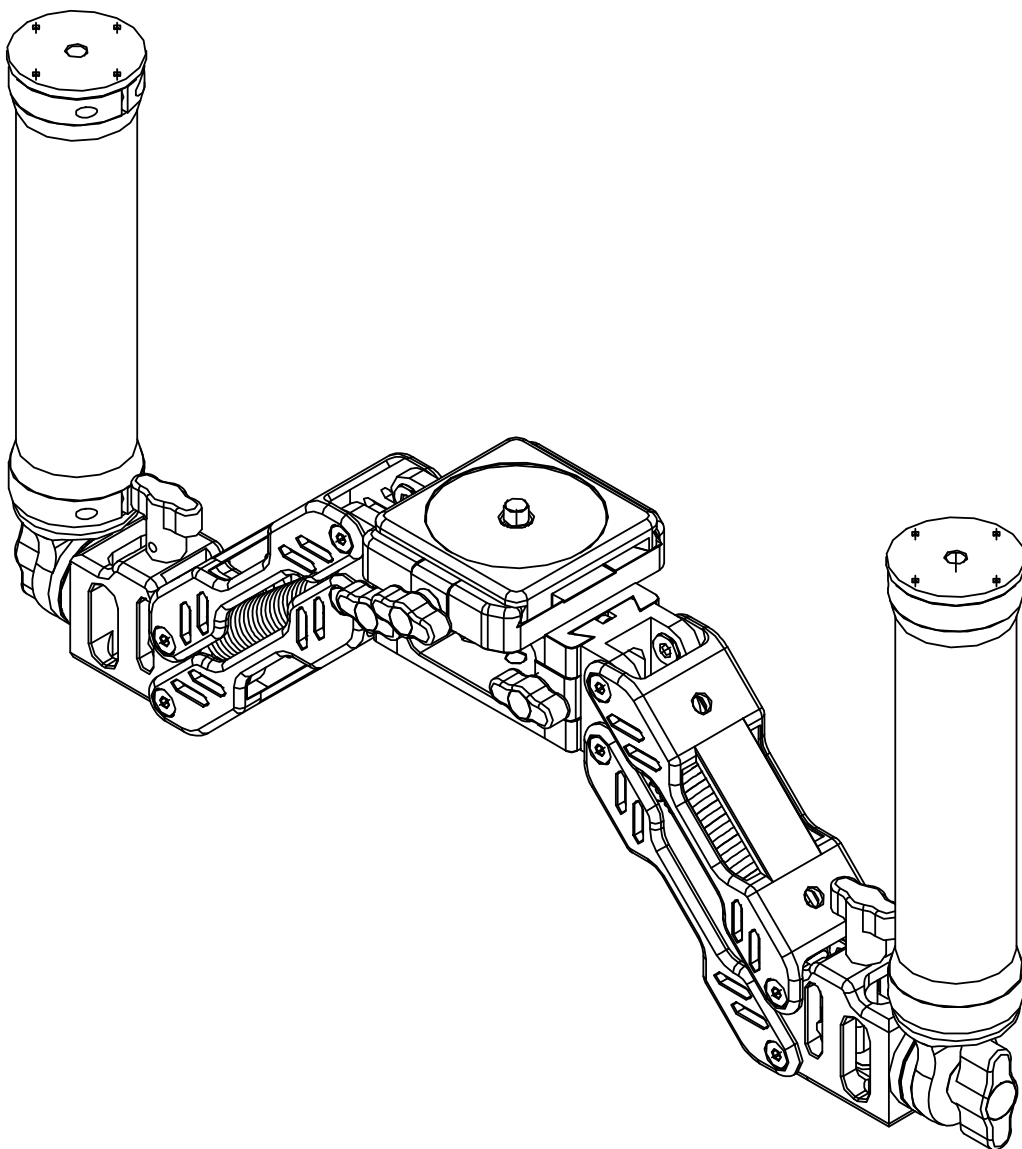




# Beholder FHS

## Flex Handle Stabilizer

V1.0 2017.07



Before using the product, please read manual carefully.

Be sure to keep this manual in a safe place so that you can check it at anytime in the future.

# Table of Contents

---

Product Description	1
What's Included	2
Stabilization Control	3
Product Specifications	3
Operating Instructions	4
Copyright	8

## Product Description

---

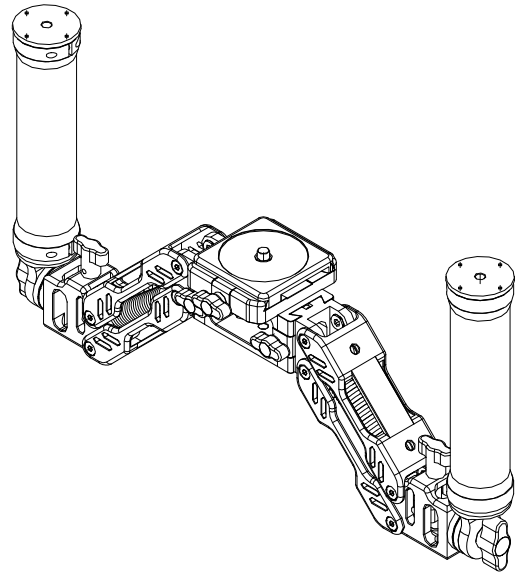
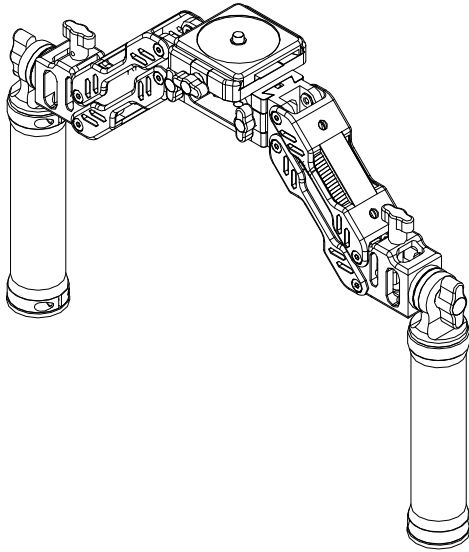
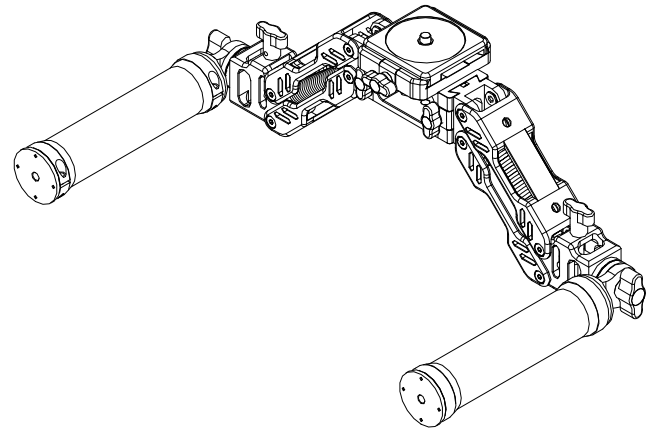
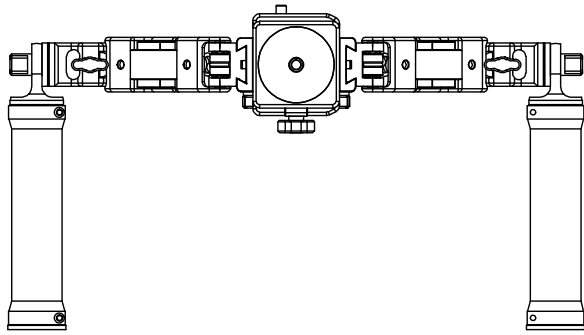
Welcome to the Ikan Beholder Flex Handle Stabilizer. The Flex Handle Stabilizer is designed to be used along with Ikan Beholder 3-Axis handheld gimbals to provide videographers and photographers additional stability when shooting.

The stabilizer has a quick release plate making it easy for users to switch between the two handed and single handed operation. The Flex Handle Stabilizer offers a number of 3/8" and 1/4" expansion screw holes to allow users to customize their setup.

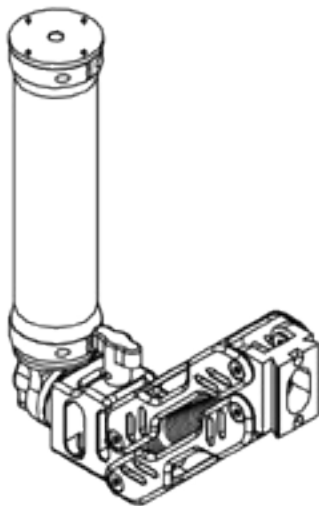
After extended testing and search, the Flex Handle Stabilizer springs have been adjusted to the optimal condition for shock absorption. The spring tension adjustment screw allows a wide payload range of 1.8 lbs - 15.8 lbs to be mounted.

The Flex Handle Stabilizer helps reduce bouncy videos caused by walking or running by stabilizing the vertical axis.

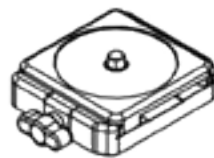
## Possible Handle Configuration



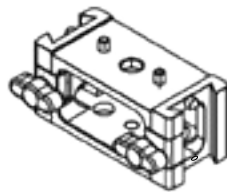
## What's Included



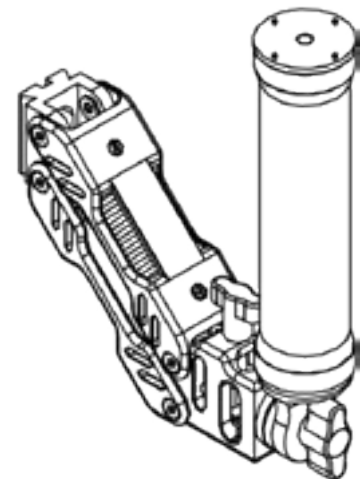
Flex Handle



Quick Release Plate



Bridge Connector



Flex Handle

After you've received the product and before you use it, please make sure the package contains all the items in the following inventory. If any item is missing, please get in touch with the dealer to resolve the situation.

# Stabilization Control

---

The Flex Handle Stabilizer helps reduce camera vibrations caused by walking or running. You'll notice more stabilization as the bouncing movement increases.

Below is a chart of the testing data of the Beholder EC1 and the Flex Handle Stabilizer.

Action	Results
Normal Walking	Noticeable video stabilizations
Small Steps	Slight video stabilization
Running	Greatly increased video stabilization

## Product Specifications

---

Weight: 1.76 lbs / 800g

Package Weight: 2.6 lbs / 1.18 kg

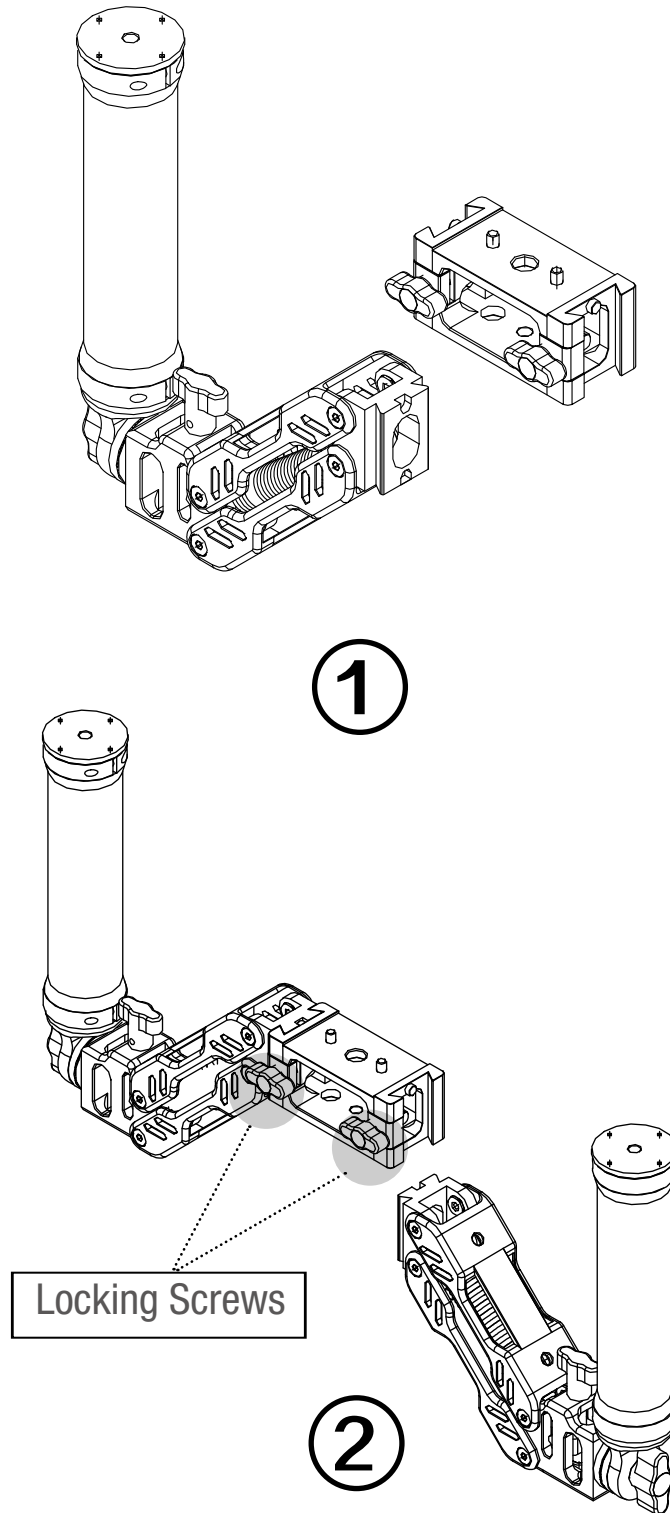
Max Payload: 15.8 lbs / 7.15kg

Compatible Gimbals: MS1 / MSPRO / DS1 / DS2 / EC1 / DS2-A

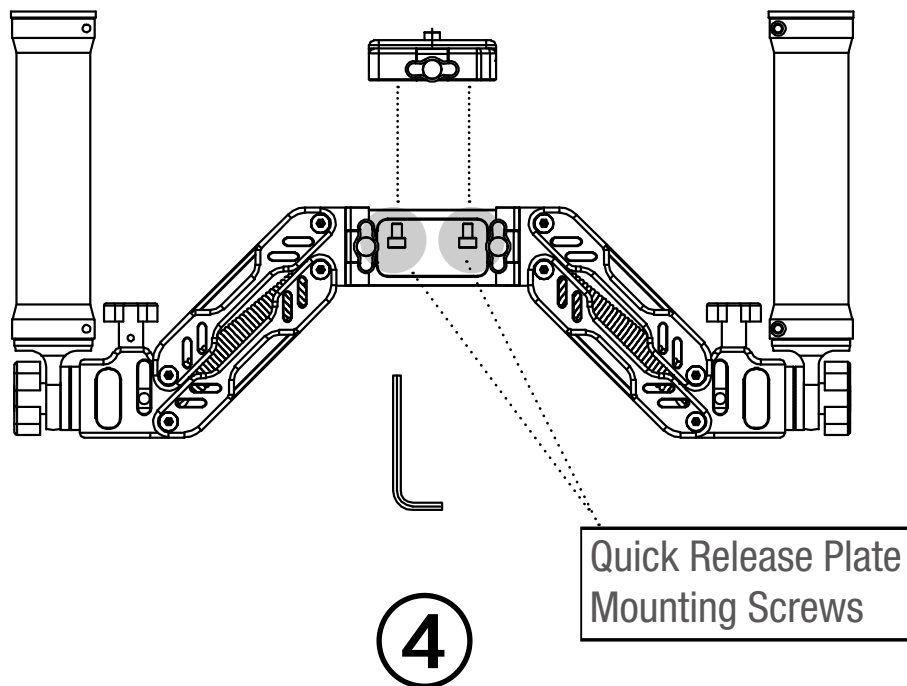
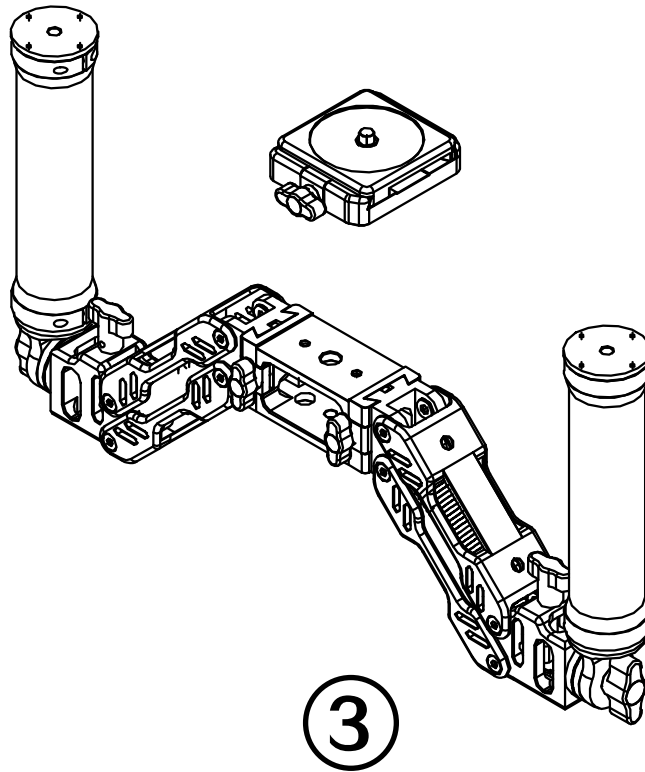
# Operating Instructions

---

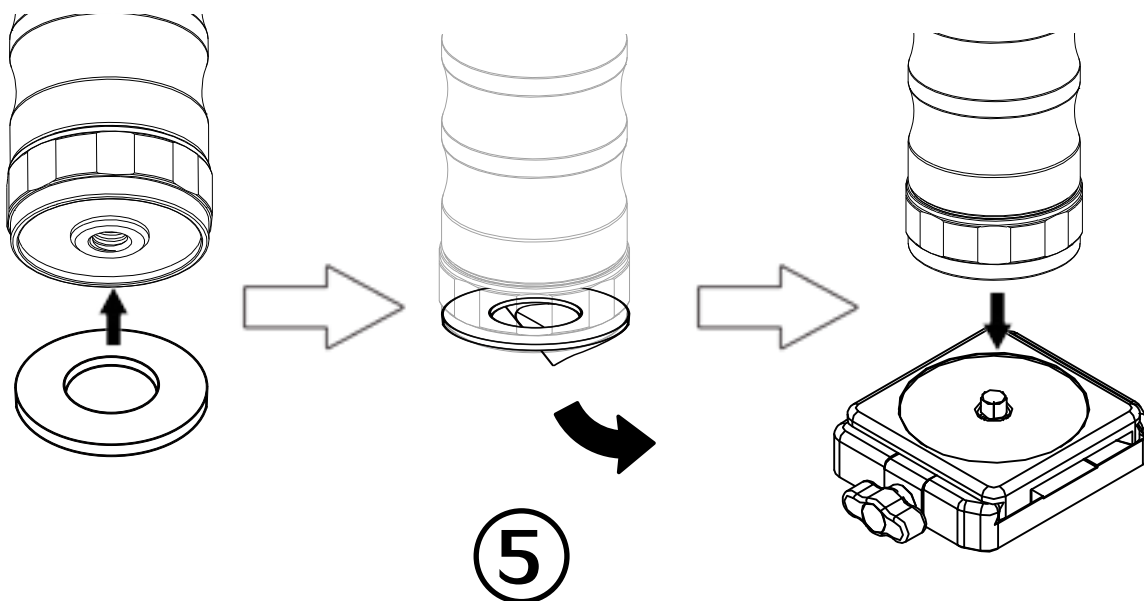
1. Loosen the locking screws on the bridge to slide the flex handles into the bridge. After the flex handles are in place, tighten the locking screws.



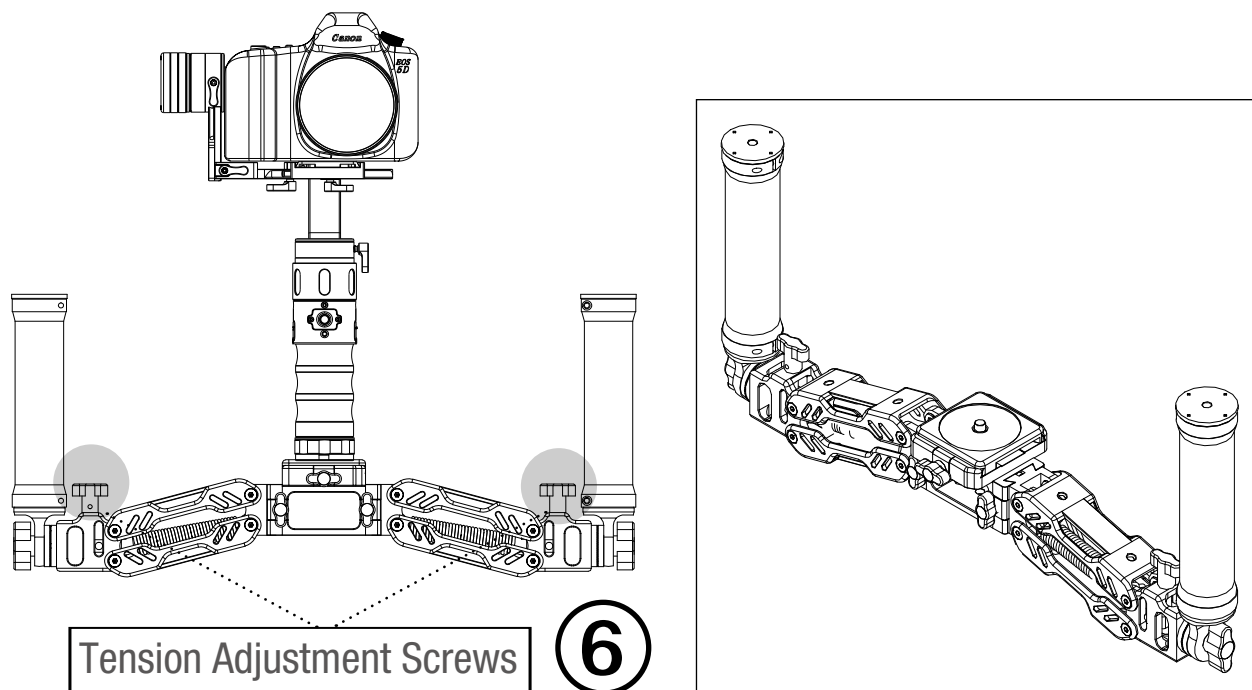
2. Install the quick release mounting plate with the included screws and hex key. The included 3/8" screw is used to attach the gimbal to the quick release plate.



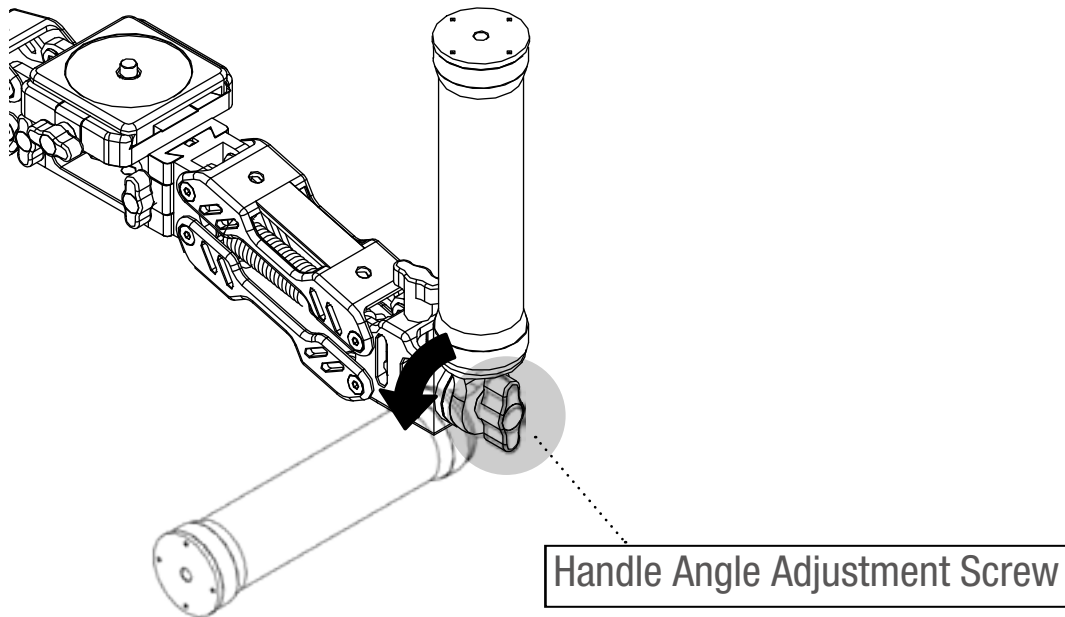
3. Place the included shock absorption circle pad into the bottom of your gimbal with the adhesive side down. Remove the adhesive while the cushion pad is inside the gimbal and press onto the quick release plate. The cushion pad will adhere to the quick release plate.



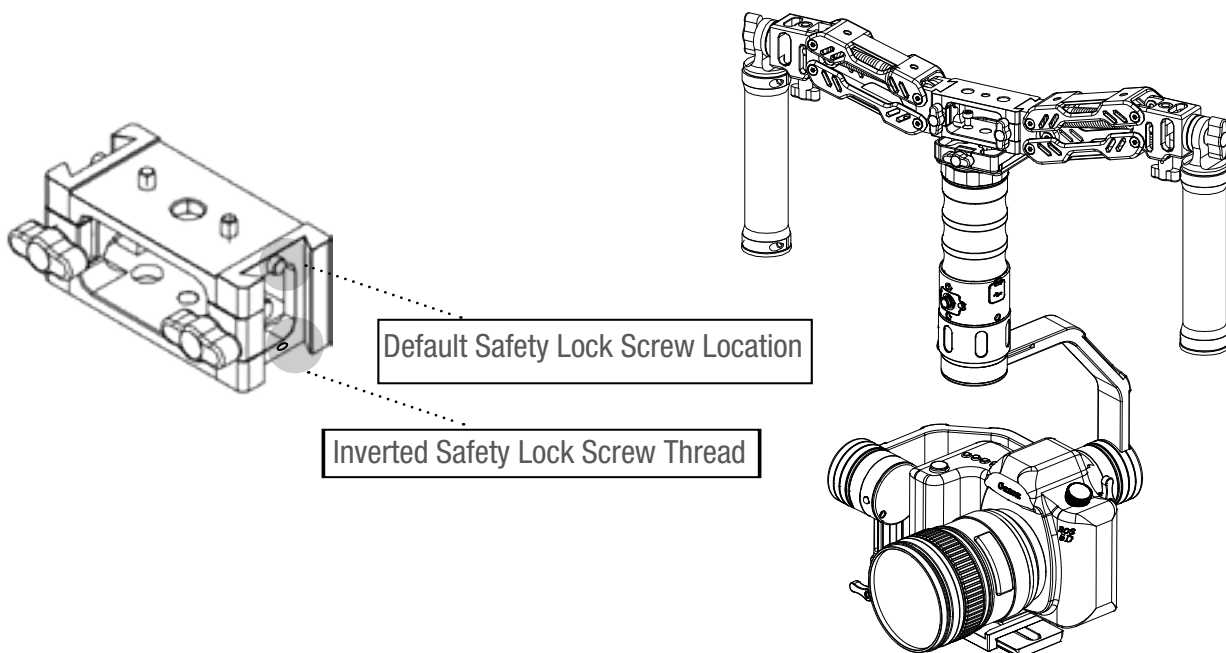
4. Tension Spring Adjustment: After the gimbal and camera are mounted, adjust the tension screws, so that when you lift the Flex Handle Stabilizer the handles fall to roughly 15 degrees. Make sure the two tension screws are leveled with each other. Please see image below for reference.



5. Handle Adjustment: The handles can be configured in multiple positions to allow different ways to hold the stabilizer or to balance the Flex Handle Stabilizer on a table to change or adjust the camera. The illustration below shows the screw that controls the handle adjustments.



6. If you will be using the stabilizer in inverted mode, be sure to use the inverted safety lock to prevent accidental drops.





# Copyright

Beholder and Ikan are certified trademarks, which cannot be used without our permission for any other purposes. The product has a number of patents so if copies of the product are found, the perpetrator will hold the relevant legal responsibility. A regular dealer must obtain marketing authorization documents. Please visit an authorized dealer to purchase. A list of distributors can be found on the website. In case the product is purchased on a non-authorized channel, we will not provide after-sales service for the product. Product features, appearance or other functions may change over time. The company is free to implement and release any changes as desired.

Learn More:

**More dynamic information at Ikan's Official website:** [www.ikancorp.com](http://www.ikancorp.com)

**Contact email:** [support@ikancorp.com](mailto:support@ikancorp.com)