



SpeechLine Digital Wireless SL Boundary Set DW



FEATURES

- Wireless inductive charging
- Clear battery life indication via dedicated battery status LEDs
- Remote monitoring and control with the Sennheiser Control Cockpit

The SL Boundary Set DW includes the wireless boundary microphone SL Boundary 114-S DW, the SL Rack Receiver DW and everything needed for usage and installation.

The SL Boundary 114-S DW is optimized for speech transmission in conference rooms. Being independent from any cables, the SL Boundary 114-S DW offers highly flexible application possibilities for users.

The SL Boundary SET DW features inductive charging, the SL Boundary 114-S DW can either be charged wirelessly or via USB. The wireless power transmitter CHG 2W for two mobile devices is available separately. The SL Boundary 114-S DW provides clear battery life indication via dedicated battery status LEDs. The set comes with rechargeable accupack with up to 13 hours of operating time.

All devices can be monitored and controlled remotely with the Sennheiser Control Cockpit.

DELIVERY INCLUDES

- SL Boundary 114-S DW
- BA 40 accupack
- SL Rack Receiver DW (incl. power supply)
- GA 4 rackmount kit
- Quick Guide
- Safety Guide
- USB cable

SPECIFICATIONS

System

AF frequency response	20 to 20,000 Hz
Dynamic range	> 120 dB(A)
THD (1 kHz)	typ. 0.1 %
Audio sampling	24 bit/48 kHz
Signal-to-noise ratio	> 90 dB(A)
Encryption	AES 256
RF frequency ranges	EU: 1,880 to 1,900 MHz USA: 1,920 to 1,930 MHz Brazil: 1,910 to 1,920 MHz Taiwan: 1,880 to 1,895 MHz Japan: 1,893 to 1,906 MHz
Modulation	GFSK with back channel
Transmission method	TDMA, space diversity
Latency	19 ms
Relative air humidity	max. 95 %
Temperature range*	Operation: -10 °C to 55 °C (14 °F to 131 °F) Storage: -20 °C to 70 °C (-4 °F to 158 °F)

* The temperature range is influenced by the battery characteristics



SpeechLine Digital Wireless SL Boundary Set DW

SPECIFICATIONS

SL Rack Receiver DW

RF sensitivity	< -90 dBm	
RF output power back channel	adaptive, up to 250 mW (country-specific)	
XLR output level, balanced	max. +18 dBu	
RCA output level, unbalanced	max. +6 dBu	
Audio effects	Low cut:	-3 dB at 120 Hz
	Equalizer:	7-band graphic equalizer with sound presets
	Sound profiles:	<ul style="list-style-type: none"> • female voice • male voice • media
Display	OLED	
Network protocol	Media Control Protocol, TCP/IP IPv4 (DHCP, manual)/ IPv6	
Power supply	12 V DC	
Current consumption	350 mA	
AF connection sockets	XLR/2 x RCA	
Antenna sockets	2 x reverse SMA	
Network sockets	RJ-45	
DC socket for power supply	hollow jack	
Weight	approx. 828 g	

Power supply units

	NT 12-4C	NT 2-3
Nominal input voltage	100 to 240 V-	
Power frequency	50 or 60 Hz	
Input current	max. 120 mA	
Nominal output voltage	12 V = = =	
Standby power consumption	≤ 0.3 W	
Energy efficiency level	V	IV
Operating temperature	-10 °C to 55 °C (14 °F to 131 °F)	
Storage temperature	-20 °C to +70 °C (-4 °F to 158 °F)	
Relative air humidity	max. 95 %	
Weight	approx. 100 g	approx. 105 g

Accupack

BA 40	
Charging capacity	2200 mAh
Output voltage	3.6 V

SL Boundary 114-S DW

AF frequency response	40 to 20,000 Hz
Pickup pattern	cardioid
Dynamic range	<100 dB(A)
Sensitivity	10 mV/PA
Power supply	BA 40 accupack (Li Ion 3.6 V)
Operating time	Accupack: typ. 13 h
Relative humidity	max. 95 %
Temperature range	Operation: 10 °C to 45 °C (50 °F to 113 °F)
	Storage: -20 °C to 70 °C (-4 °F to 158 °F)
Dimensions	114 x 85.3 x 30.8 mm (4.49" x 3.36" x 1.21")
Weight	approx. 208 g (without accupack)



SpeechLine Digital Wireless SL Boundary Set DW

ARCHITECT'S SPECIFICATION

A wireless RF transmission system designed for presentation use and other applications where maximum speech intelligibility is required.

The system shall consist of a stationary receiver and a wireless boundary microphone.

Operating in the license-free 1.9 GHz band (frequency ranges are between 1,880 and 1,930 MHz, depending on country-specific regulations), the system shall use automatic frequency management to determine the best free available frequency and to automatically start the transmission. Additionally, the system shall incorporate automatic interference management, allowing the transmitter and receiver to move to an undisturbed, compatible frequency with no audio signal interruption, should interference occur. Furthermore, advanced 256-bit AES encryption shall be used for secure wireless transmission.

The system's AF frequency response shall range from 20 – 20,000 Hz. The dynamic range shall be > 120 dB(A). Total harmonic distortion (THD) at 1 kHz shall be typical 0.1 %. Signal-to-noise ratio shall be > 90 dB(A). Latency shall be 19 ms. Operating temperature shall range from -10 °C to +55 °C (+14 °F to +131 °F).

The user interface of the receiver shall be operated by jog dial and OLED display. The receiver shall have dedicated pairing, escape and power buttons.

The receiver shall feature a low-cut filter as well as speech-optimized sound profiles or custom settings with a 7-band graphic equalizer. The receiver's RF sensitivity shall be -90 dBm. RF output power of the receiver's back channel shall be adaptive and up to 250 mW (country-specific). The receiver's audio output shall utilize a balanced XLR-3M socket with a maximum output of +18 dBu along with two unbalanced RCA sockets with a maximum output of +6 dBu. The receiver shall feature automatic gain optimization. Two reverse SMA sockets shall be provided for connecting the antennas. The receiver shall feature RJ-45 network connectivity compatible with IPv4 and IPv6 networks. For remote control the receiver shall have media control protocol integration.

The receiver shall operate on 12 V DC power supplied from the NT 12-4C power supply unit (100-240 V AC, 50/60 Hz, for use in the USA, the UK, and Europe) or the NT 2-3 power supply unit (100-240 V AC, 50/60 Hz, for use in countries other than the USA, the UK, and Europe). Power consumption shall be 350 mA. The dimensions shall be approximately 168 x 212 x 43 mm (6.61" x 8.35" x 1.69"). Weight shall be approximately 828 grams (1.83 lbs).

The receiver shall be the Sennheiser SL Rack Receiver DW.

The wireless boundary layer microphone shall be optimized for speech transmission in conference rooms. The boundary layer microphone shall be powered by one Sennheiser Lithium-Ion rechargeable accupack with a typical operating time of 13 hours and shall support wireless charging as well as charging via USB. In addition, the boundary layer microphone shall be capable of being remotely controlled and monitored via the Sennheiser Control Cockpit software.

RF output power shall be adaptive and up to 250 mW (country-specific). The AF frequency response shall range from 40 – 20,000 Hz. The maximum input level shall be 1.7 Vrms and input impedance shall be 30 kΩ. The boundary layer microphone shall have automatic sensitivity adjustment.

Dimensions shall be 114 x 85.3 x 30.8 mm (4.49" x 3.36" x 1.21"). Weight (without accupack) shall be approximately 208 grams. Operating temperature shall range from 10 °C to 45 °C (50 °F to 113 °F).

The wireless boundary layer microphone shall be the Sennheiser SL Boundary 114-S DW.

The wireless RF transmission system shall be the Sennheiser SpeechLine Boundary Set DW.



SpeechLine Digital Wireless SL Boundary Set DW

PRODUCT VARIANTS

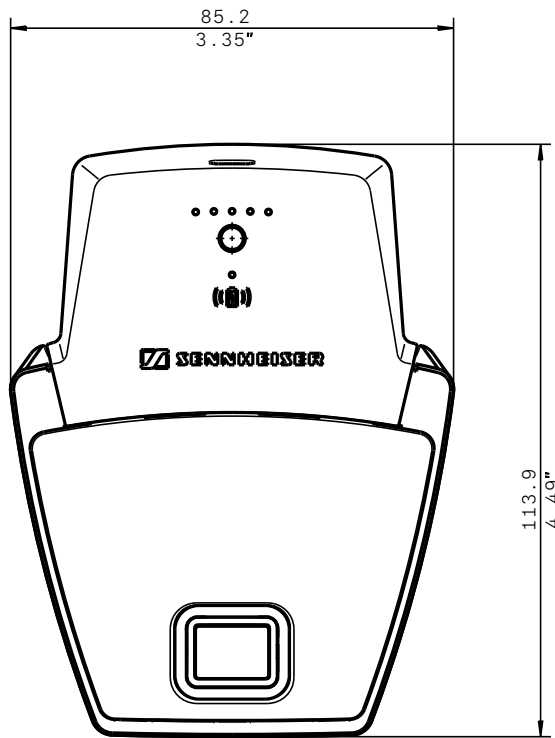
SL Boundary Set DW-3-EU Art. No. 506614 -3 EU variant 1,880 to 1,900 MHz EU power supply Europe India Indonesia	SL Boundary Set DW-3-UK Art. No. 506617 -3 UK variant 1,880 to 1,900 MHz UK power supply UK Hong Kong Singapore Malaysia	SL Boundary Set DW-3-AU Art. No. 506620 -3 AU variant 1,880 to 1,900 MHz AU power supply Australia	SL Boundary Set DW-4-EU Art. No. 506633 -4 EU variant 1,920 to 1,930 MHz EU power supply Latin America
SL Boundary Set DW-4-US Art. No. 506630 -4 US variant 1,920 to 1,930 MHz US power supply USA Canada	SL Boundary Set DW-5-US Art. No. 506653 -5 US variant 1,893 to 1,906 MHz US power supply Japan	SL Boundary Set DW-6-US Art. No. 506643 -6 US variant 1,880 to 1,895 MHz US power supply Taiwan	SL Boundary Set DW-7-BR Art. No. 506968 -7 BR variant 1,910 to 1,920 MHz BR power supply Brazil



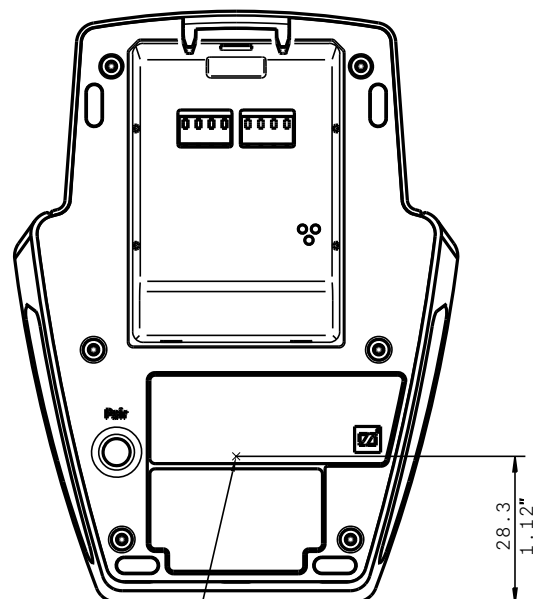
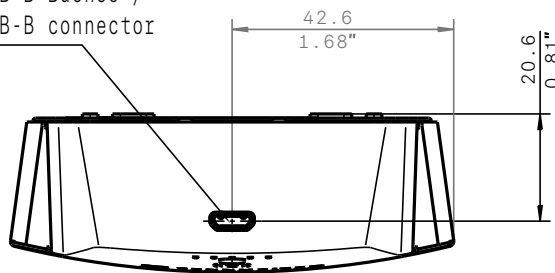
SpeechLine Digital Wireless SL Boundary Set DW

DIMENSIONS

SL Boundary 114-S DW



USB2 Micro-USB-B Buchse /
USB2 micro USB-B connector



Zentrum drahtlose Energieübertragung
center wireless charging



SpeechLine Digital Wireless SL Boundary Set DW

DIMENSIONS

SL Rack Receiver DW

