

# Owner's Manual

## Desktop Charging Stations

USB Charging (Model: CSD1006USB)

AC Charging with Surge Suppression (Model: CSD1006AC)

Este manual esta disponible en español en la página de Tripp Lite: [www.tripplite.com](http://www.tripplite.com)

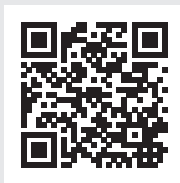
Ce manuel est disponible en français sur le site Web de Tripp Lite : [www.tripplite.com](http://www.tripplite.com)

Product Features	2	Adjusting Storage Shelf	11
Package Contents	2	Dividers (All Models)	
Optional Accessories	3	Specifications	12
Important Safety Warnings	3	Product Registration and	13
Setup	4	Warranty Information	
USB Charging	5	Ultimate Lifetime Insurance	15
AC Charging	8	Policy (CSD1006AC only)	

### PROTECT YOUR INVESTMENT!

Register your product for quicker service  
and ultimate peace of mind.

You could also win an  
ISOBAR6ULTRA surge protector—  
a \$100 value!



[www.tripplite.com/warranty](http://www.tripplite.com/warranty)



1111 W. 35th Street, Chicago, IL 60609 USA • [www.tripplite.com/support](http://www.tripplite.com/support)

Copyright © 2017 Tripp Lite. All rights reserved.

# Product Features

## Both Models

- Charge up to 10 tablets, smartphones or other mobile devices
- Doubles as a USB or AC charger and storage unit, providing space to neatly organize your devices as they charge
- Removable dividers customize the unit's storage space according to the number and size of devices being charged

## CSD1006USB Model

- BC1.2 rapid charging with a single port is capable of providing up to 5V 2.4A
- Overcurrent protection prevents devices from pulling more power than the charger is capable of supporting
- Overcharging protection stops charging when a device battery is full

## CSD1006AC Model

- 2880-joule surge suppression rating
- EMI/RFI noise filtering
- Diagnostic LED indicates Protected (green) and Grounded (red)
- Automatic shutoff cuts power to outlets when the protection circuit has been compromised
- \$25,000 Ultimate Lifetime Insurance for connected equipment (U.S., Canada, and Puerto Rico only)

# Package Contents

## CSD1006USB

- USB Charger
- External Power Supply with 5-15P Plug (Input: 100V-240V, 50/60 Hz; Max Output: 12V, 8A)
- Enclosure unit with locking lid
- USB charger enclosure mount
- Keys
- Combination cable lock
- Owner's Manual

## CSD1006AC

- 10-Outlet AC Surge Protector
- Enclosure unit with locking lid
- Keys
- Combination cable lock
- Owner's Manual

## Optional Accessories

- M100-Series USB to Lightning™ Cables
- M110-Series USB to Apple® 30-Pin Cables

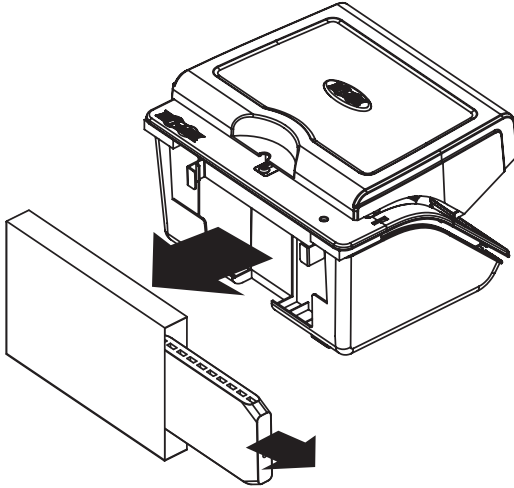
## Important Safety Warnings

- Always read the safety instructions carefully.
- Keep these instructions for future reference.
- Do not install near any heat sources such as radiators, heat registers, stoves, or other equipment (including amplifiers) that produces heat.
- Unplug the unit when unused for extended periods of time.
- To reduce the risk of fire or electric shock, do not expose this unit to rain or moisture, including any dripping or splashing.
- Objects filled with liquids, such as vases, should never be placed on or near the unit.
- The unit presents an electric shock hazard; do not open.
- The outlet used to power the unit should be easily accessible and located near the equipment.
- The power supply cord is for indoor use only.
- Maximum ambient temperature around the adapter must not exceed 104°F (40°C).
- The power supply cord's plug and inlet are used as the disconnect device for the unit and its connected peripherals. The power supply cord should be easily accessible during operation.
- Refer to the marking label on the unit for input and output ratings. Do not overload the power supply.
- Use of this equipment in life support applications where failure of this equipment can reasonably be expected to cause the failure of the life support equipment or to significantly affect its safety or effectiveness is not recommended.

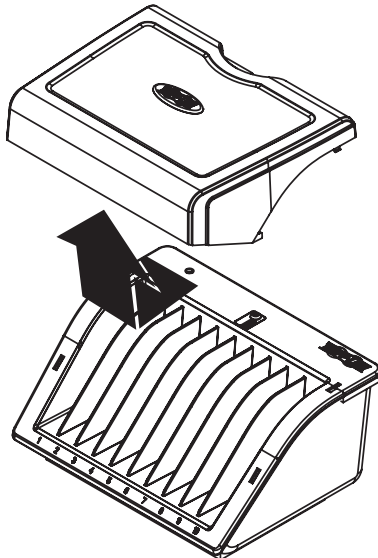
# Setup

## Both Models

- 1** After removing the protective packing, locate the separate box at the rear of the enclosure unit containing the USB or AC charger. Remove the USB charger or surge protector from its box.

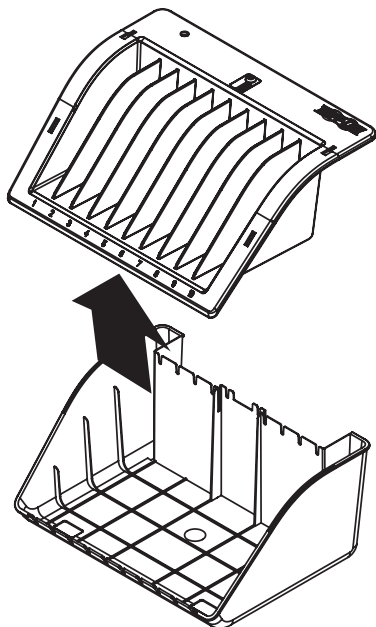


- 2** Remove the enclosure lid by pushing out and lifting up.



# Setup

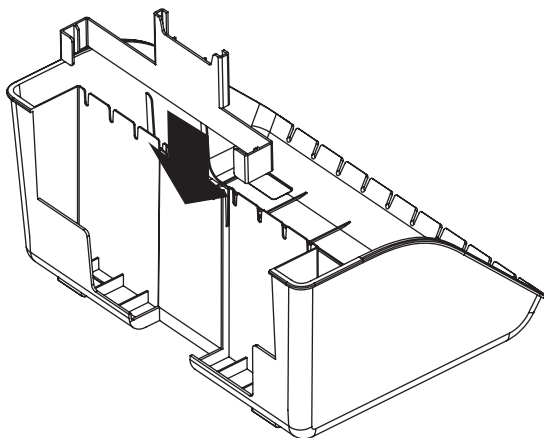
- 3** Lift and remove the storage shelf from the enclosure.



- 4** Attach the charging unit to the enclosure:

## CSD1006USB Model

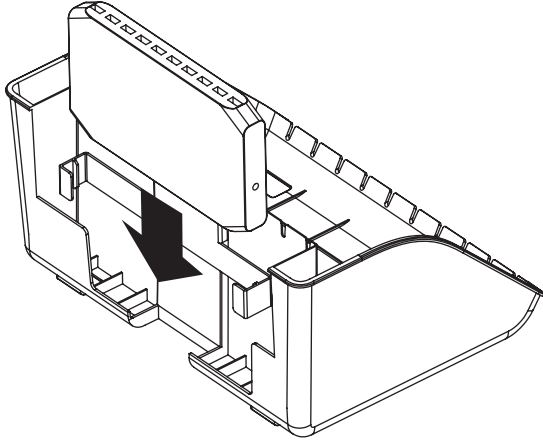
- A** Slide the included mounting bracket onto the enclosure's rear slots.



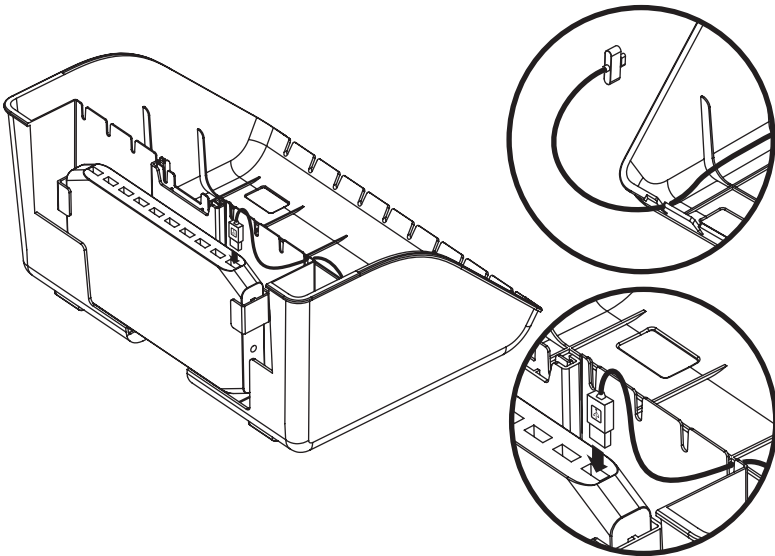
# Setup

## CSD1006USB Model (continued)

- B** Insert the USB charging unit into the mounting bracket with the USB ports facing upward.



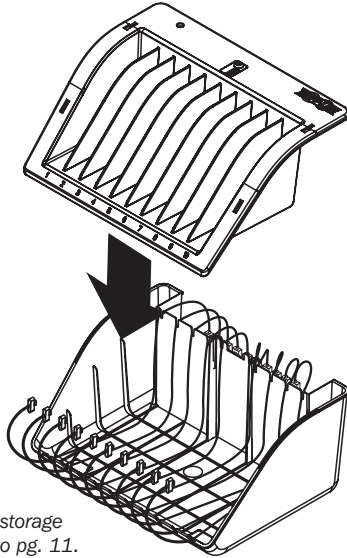
- C** Connect USB charging cables appropriate for the number and type of devices. The slots located at the top and front of the enclosure base allow for convenient cable routing.



# Setup

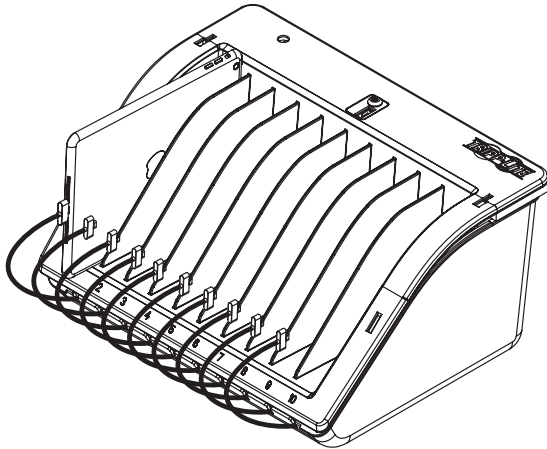
## CSD1006USB Model (continued)

- D** Once all desired USB cables are connected, place the storage shelf on top of the enclosure base.



**Note:** To remove or adjust storage shelf dividers, refer to pg. 11.

- E** Connect the electronic devices to the USB power cables and place items inside the shelf tray.

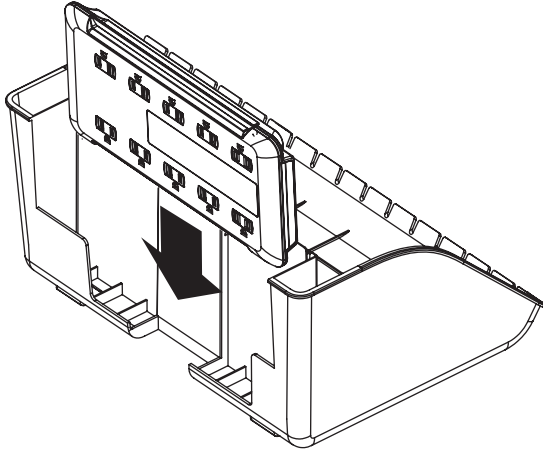


- F** Use the included power supply to connect the charging unit to a Tripp Lite surge protector or AC wall outlet.
- G** Proceed to step 5.

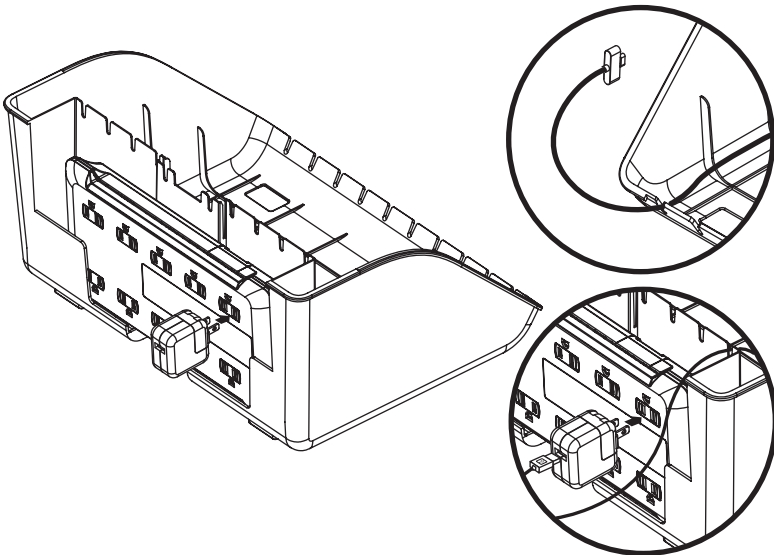
# Setup

## CSD1006AC Model

- A** Insert the AC surge protector into the enclosure's rear slots. Make sure the AC outlets are facing outward.



- B** Connect the AC power cables appropriate for the number and type of devices. The slots located at the top and front of the enclosure base allow for convenient cable routing.

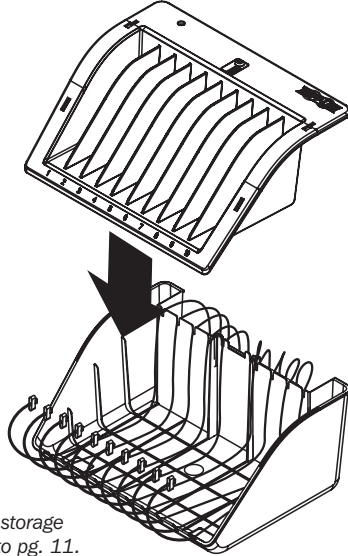




# Setup

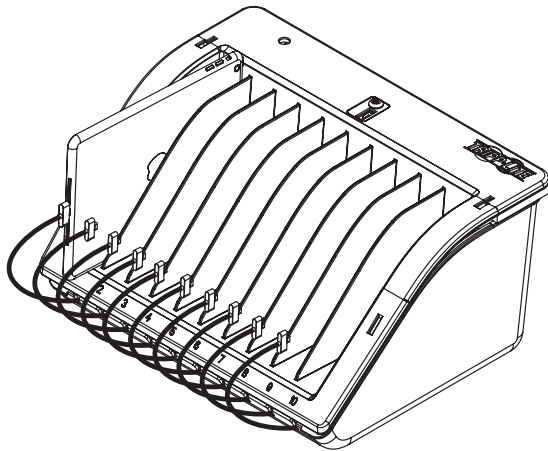
## CSD1006AC Model (continued)

- C** Once all desired AC power cables are connected, place the storage shelf on top of the enclosure base.



**Note:** To remove or adjust storage shelf dividers, refer to pg. 11.

- D** Connect the electronic devices to the AC power cables and place items inside the shelf tray.

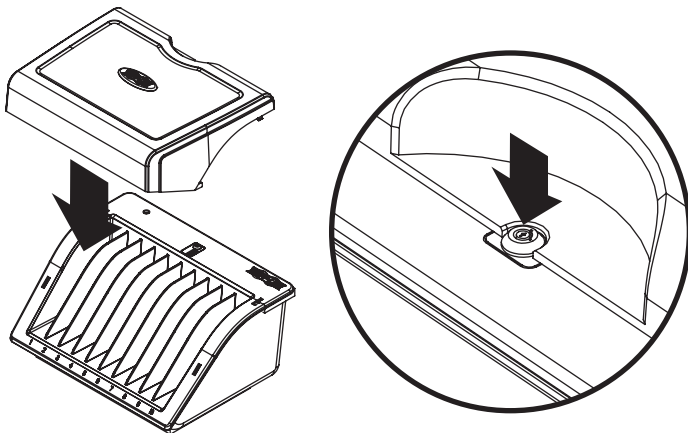


- E** Plug the charging unit into an AC wall outlet.  
**F** Proceed to step 5.

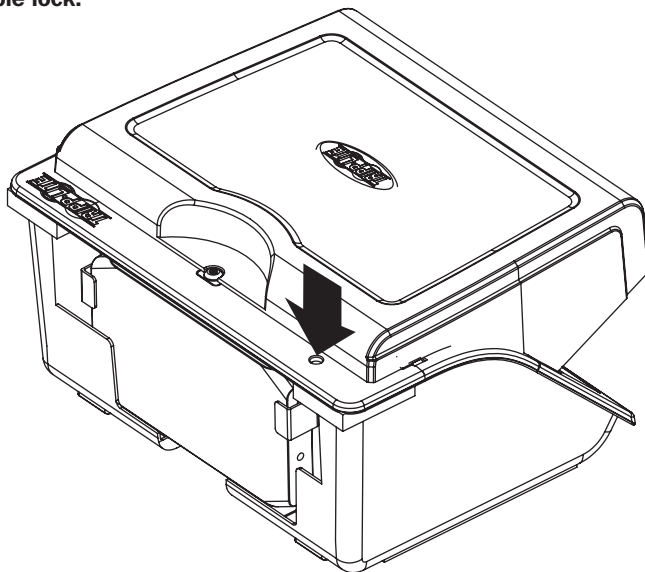
# Setup

## Both Models

- 5** To prevent device tampering and theft, reattach the enclosure lid to the top of the enclosure. Use the included key to lock the barrel lock.

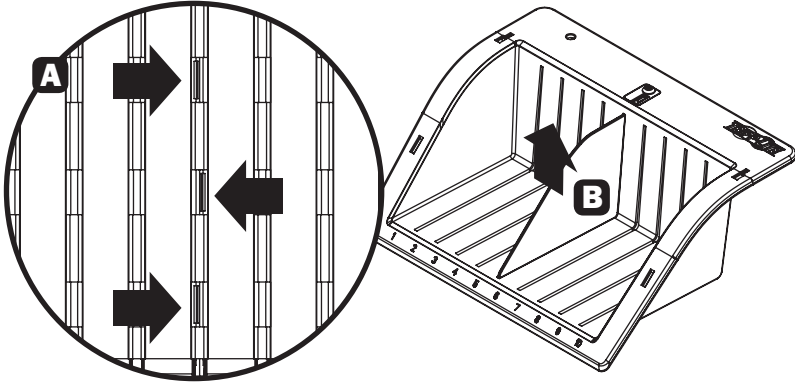


- 6** Secure the enclosure unit to a desk using the included combination cable lock.



## Adjusting Storage Shelf Dividers (All Models)

Remove the enclosure lid, then remove any personal electronic devices stored on the shelf tray. Lift the shelf tray. Once the shelf is removed, push in the three tabs securing the divider to the bottom of the tray **A**, then pull the divider upward to disengage from the shelf tray **B**. Repeat as necessary for additional shelf dividers.



# Specifications

## CSD1006USB

Ports	(x10) USB A Female
External Power Supply	Input: 100-240V, 50/60 Hz; Max Output: 12V 8A
USB Output	Capable of providing up to 5V 2.4A to a single port.
Operating Temperature	41° to 95°F (5° to 35°C)
Storage Temperature	-4° to 122°F (-20° to 50°C)
Relative Humidity	20% to 80%
Regulatory Approvals	CE, FCC, RoHS, REACH, WEEE

## CSD1006AC

Outlets	(x10) 5-15R
Input Connection Type	NEMA 5-15P Plug
Input Cord Length	6 ft. (1.83 m)
AC Surge Suppression Rating	2880 joules
Operating Temperature	41° to 95°F (5° to 35°C)
Storage Temperature	-4° to 122°F (-20° to 50°C)
Relative Humidity	20% to 80%
Regulatory Approvals	UL1449 3rd Edition, RoHS

## Product Registration

Visit [www.tripplite.com/warranty](http://www.tripplite.com/warranty) today to register your new Tripp Lite product. You'll be automatically entered into a drawing for a chance to win a FREE Tripp Lite product!\*

\* No purchase necessary. Void where prohibited. Some restrictions apply. See website for details.

## 1-Year Limited Warranty (CSD1006USB Model)

TRIPP LITE warrants its products to be free from defects in materials and workmanship for a period of one (1) year from the date of initial purchase. TRIPP LITE's obligation under this warranty is limited to repairing or replacing (at its sole option) any such defective products. To obtain service under this warranty, you must obtain a Returned Material Authorization (RMA) number from TRIPP LITE or an authorized TRIPP LITE service center. Products must be returned to TRIPP LITE or an authorized TRIPP LITE service center with transportation charges prepaid and must be accompanied by a brief description of the problem encountered and proof of date and place of purchase. This warranty does not apply to equipment, which has been damaged by accident, negligence or misapplication or has been altered or modified in any way.

EXCEPT AS PROVIDED HEREIN, TRIPP LITE MAKES NO WARRANTIES, EXPRESS OR IMPLIED, INCLUDING WARRANTIES OF MERCHANTABILITY AND FITNESS FOR A PARTICULAR PURPOSE.

Some states do not permit limitation or exclusion of implied warranties; therefore, the aforesaid limitation(s) or exclusion(s) may not apply to the purchaser.

EXCEPT AS PROVIDED ABOVE, IN NO EVENT WILL TRIPP LITE BE LIABLE FOR DIRECT, INDIRECT, SPECIAL, INCIDENTAL OR CONSEQUENTIAL DAMAGES ARISING OUT OF THE USE OF THIS PRODUCT, EVEN IF ADVISED OF THE POSSIBILITY OF SUCH DAMAGE. Specifically, TRIPP LITE is not liable for any costs, such as lost profits or revenue, loss of equipment, loss of use of equipment, loss of software, loss of data, costs of substitutes, claims by third parties, or otherwise.

## **Lifetime Limited Warranty (CSD1006AC Model)**

Seller warrants this product, if used in accordance with all applicable instructions, to be free from original defects in material and workmanship for its lifetime. If the product should prove defective in material or workmanship within that period, Seller will repair or replace the product, in its sole discretion. Service under this Warranty can only be obtained by your delivering or shipping the product (with all shipping or delivery charges prepaid) to: Tripp Lite, 1111 W. 35th St., Chicago, IL 60609. Seller will pay return shipping charges.

The warranties of all TRIPP LITE surge protectors are null and void if they have been connected to the output of any UPS system. The warranties of all TRIPP LITE UPS Systems are null and void if a surge protector has been connected to its output receptacles.

THIS WARRANTY DOES NOT APPLY TO NORMAL WEAR OR TO DAMAGE RESULTING FROM ACCIDENT, MISUSE, ABUSE OR NEGLIGENCE. SELLER MAKES NO EXPRESS WARRANTIES OTHER THAN THE WARRANTY EXPRESSLY SET FORTH HEREIN. EXCEPT TO THE EXTENT PROHIBITED BY APPLICABLE LAW, ALL IMPLIED WARRANTIES, INCLUDING ALL WARRANTIES OF MERCHANTABILITY OR FITNESS, ARE LIMITED IN DURATION TO THE WARRANTY PERIOD SET FORTH ABOVE; AND THIS WARRANTY EXPRESSLY EXCLUDES ALL INCIDENTAL AND CONSEQUENTIAL DAMAGES. (Some states do not allow limitations on how long an implied warranty lasts, and some states do not allow the exclusion or limitation of incidental or consequential damages, so the above limitations or exclusions may not apply to you. This Warranty gives you specific legal rights, and you may have other rights which vary from jurisdiction to jurisdiction.)

WARNING: The individual user should take care to determine prior to use whether this device is suitable, adequate or safe for the use intended. Since individual applications are subject to great variation, the manufacturer makes no representation or warranty as to the suitability or fitness of these devices for any specific application.

# Ultimate Lifetime Insurance Policy

(CSD1006AC Model Only)

**This is a limited warranty valid in the U.S., Canada and Puerto Rico only.**

Tripp Lite warrants, for the lifetime of the product, (at Tripp Lite's option) to repair or replace (on a pro rata basis) directly connected equipment that is damaged due to power transients while properly connected to Tripp Lite products offering the Ultimate Lifetime Insurance Policy. Power transients include spikes and surges on the AC power, data or telephone lines that the Tripp Lite products have been designed to protect against (as recognized by industry standards). The following four paragraphs are conditions that must be complied with before the warranty becomes valid; failure to comply with these requirements will void the warranty.

**AC Power Line Transients:** To claim damages, the Tripp Lite product must be plugged into a properly wired and grounded outlet. No extension cords or other electrical connections may be used. The installation must comply with all applicable electrical and safety codes set forth by the National Electrical Code (NEC). Except as provided above, this warranty does not cover any damage to properly connected electronic equipment resulting from a cause other than an "AC power transient". If user meets all of the above requirements, Tripp Lite will repair or replace (at Tripp Lite's option) equipment up to the specified value (See Ultimate Lifetime Insurance Policy Limits). No coverage is allowed for damage entering from telephone or data lines, unless they are separately protected, as described below.

**Telephone and Data Line Transients:** Tripp Lite will repair or replace directly connected equipment that is damaged by transients on telephone and/or data lines only when all such paths are protected by a Tripp Lite protection product(s) and the AC power (utility) line is simultaneously protected by a Tripp Lite power protection device (UPS, surge suppressor or line conditioner) with Ultimate Lifetime Insurance coverage. Additional telephone and/or data line connected devices downstream must have their own telephone and/or dataline protectors.

Reimbursement dollar limits will be equal to that of the Tripp Lite power protection protector. Coverage is excluded where a suitable environment for the protection device is not provided, including, but not limited to, lack of a proper safety ground. Telephone service equipment must also include a properly installed and operating "primary protection" device at the telephone service entrance (such devices are normally added during telephone line installation).

All above warranties are null and void if the Tripp Lite product has been improperly installed, tampered with or altered in any way, or if the connected equipment was not used under normal operating conditions or in accordance with any labels or instructions. All claims under this warranty must be submitted in writing to Tripp Lite within 30 days of the occurrence or the claim will not be considered. This warranty does not include damage resulting from accident or misuse, and applies to the domestic (USA & Canada) use of these products only. Tripp Lite reserves the right to determine whether the damage to the connected equipment is due to malfunction of the Tripp Lite product by requesting the equipment in question be sent to Tripp Lite for examination. This policy is above and beyond, only to the extent needed, of that provided by any coverage of connected equipment provided by other sources, including, but not limited to, any manufacturer's warranty and/or any extended warranties.

EXCEPT AS PROVIDED ABOVE, TRIPP LITE MAKES NO WARRANTIES, EXPRESS OR IMPLIED, INCLUDING WARRANTIES OF MERCHANTABILITY AND FITNESS FOR A PARTICULAR PURPOSE. Some states do not permit limitation or exclusion of implied warranties; therefore, the aforesaid limitation(s) or exclusion(s) may not apply to purchaser. EXCEPT AS PROVIDED ABOVE, IN NO EVENT WILL TRIPP LITE BE LIABLE FOR DIRECT, INDIRECT, SPECIAL, INCIDENTAL OR CONSEQUENTIAL DAMAGES ARISING OUT OF THE USE OF THIS PRODUCT, EVEN IF ADVISED OF THE POSSIBILITY OF SUCH DAMAGE. Specifically, Tripp Lite is not liable for any costs, such as lost profits or revenue, loss of equipment, loss of use of equipment, loss of software, loss of data, costs of substitutes, claims by third parties or otherwise. Coverage also does not apply to connected medical and industrial equipment.

To receive service under this warranty, you must be the original purchaser/user of the product in question. You must obtain a Returned Material Authorization (RMA) number from Tripp Lite. Products must be returned to Tripp Lite with transportation charges prepaid and must be accompanied by a brief description of the problem encountered and proof of date and place of purchase.

Tripp Lite has a policy of continuous improvement. Specifications are subject to change without notice.



**1111 W. 35th Street, Chicago, IL 60609 USA • [www.triplite.com/support](http://www.triplite.com/support)**