

Mounting the Camera



It is important that the camera lens is in the centre of the aperture at the rear of the hood. This is achieved by raising and lowering the hood and fitting a camera riser.



1/4" BSW

Camera Screw

Fix the camera in place using the camera screw provided.

Camera Riser



1. Fit camera riser to the camera.



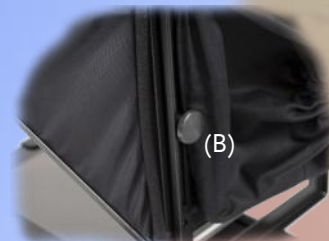
2. Install camera riser to the camera mounting plate using the camera screw provided

3. Raise the camera to the vertical position. Secure by tightening the four thumb screws.



4. Slide the camera forward so that the lens is in the aperture at the rear of the hood.

5. Centre the lens in the aperture at the rear of the hood, by raising or lowering the hood. Secure it in place by tightening the two thumb screws. (B)



iPad Lite Guide



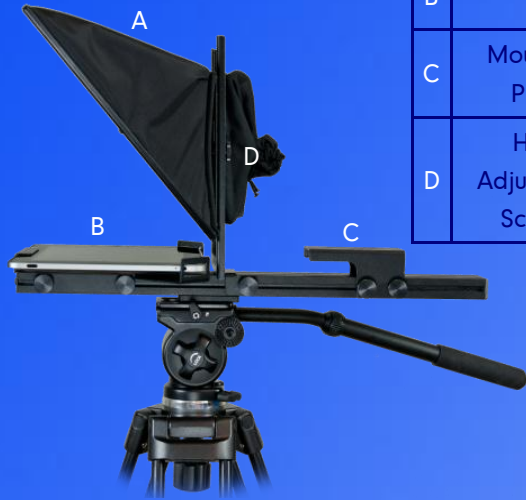
Autocue

autocue.com

Autocue

Components

A	Hood and Glass
B	iPad
C	Mounting Plate
D	Hood Adjustment Screws



Assembly

1. Fix the hot shoe from your tripod to the underside of the mounting plate. Slide the hot shoe to the approximate position and tighten the screws.

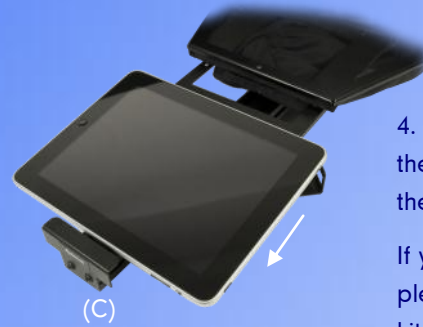
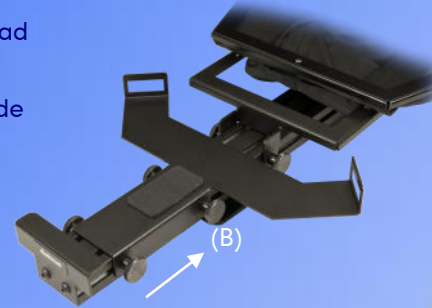


Use two fixing if possible.



2. Mount the unit on the tripod.

3. To mount the iPad loosen the thumb screws (B) and slide the carrier to the open position.



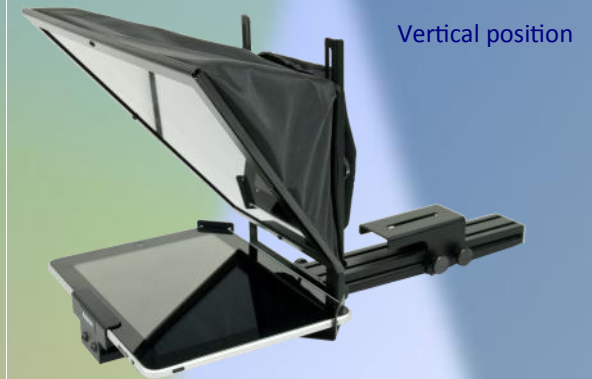
4. Place the iPad so that the front edge is under the retainer (C)

If you have an iPad 2 please use the adaptor kit provided.

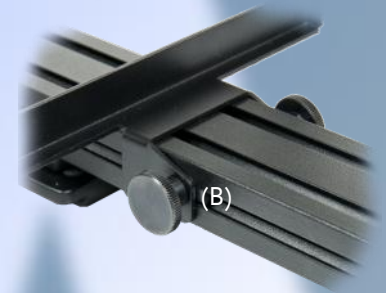
5. To secure the iPad in place slide the retainer forward so that the corners of the iPad are located in the mount. (D)



6. Raise the hood up into the vertical position.



Vertical position



7. Lock the hood into position by tightening the two thumb screws. (B)