

MADE IN THE USA



SIX YEAR WARRANTY

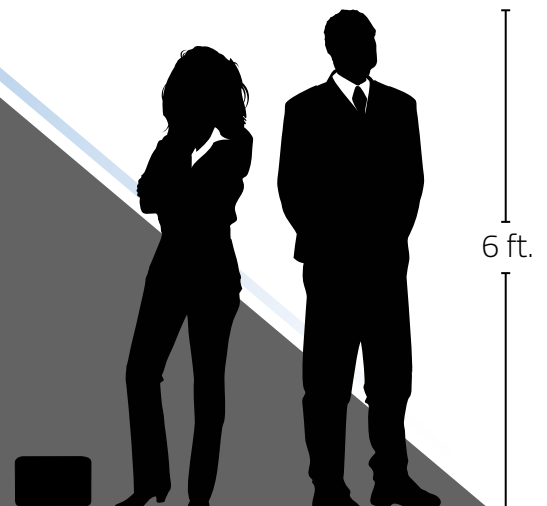
AN-135+

Speaker Monitor



Perfect for...

- Classrooms
- AV Carts
- Studios
- Board Rooms
- Conference Rooms
- Daycare Centers
- Lecture Halls
- Office Spaces
- and more!



TECH SPECS

- 103 dB of clear sound
- 30W AC mode
- 3.5 mm AUX & 1/4" line input
- 3.5 mm AUX line output to daisy chain multiple units
- One 4.5" woofer
- One 10 mm dome tweeter

FEATURES

- Reaches crowds of 150+
- Built-in bracket mount screws for easy installation (bracket with allen wrench sold separately)
- Available in black or white

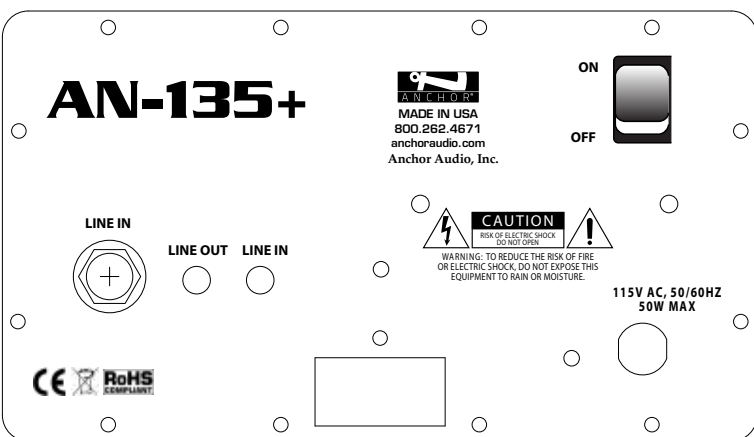


AN-135+ Models

AN-135+	AN-135+ - white
AN-135BK+	AN-135BK+ - black
Accessories	
SB-3W+/SB-3BK+	40° tilt bracket ceiling mount - white or black
SB-360W+/SB-360BK+	360° swivel wall mount - white or black
RM-1BK+	Single rack mount - black
RM-12BK+	Double rack mount - black
SS-250	Speaker stand
CC-100	Carrying bag
CC-100XL	Extra large carrying bag
HC-ARMOR24-AN	Anchor Armor hard case - AN series

Technical Specifications

Rated Power Output	30 watts
Max SPL @ Rated Power	103 dB ±3 dB @ 1 meter
Frequency Response	65 Hz – 18 kHz
Speaker Type	4.5" woofer, 10 mm dome tweeter
Line Out Jack	Line level, 3.5 mm - stereo
Line In Jack	Line level, 3.5 mm stereo & 1/4" phone - mono
AC Power Requirements	110 - 125 VAC, 47/63 Hz 50W max
Export Model Power Requirements	208 - 240 VAC, 50/60 Hz 50W max
Fuse Rating	T 1.0A / 250V (internally mounted)
Export Model Fuse Rating	T 0.5A / 250v (internally mounted)
Dimensions (HWD)	9" x 8.5" x 5.5" (23 x 22 x 14 cm)
Weight	6 lbs / 2.7 Kg



(AN-135+ Back Panel Shown)



(Features & Specifications Subject to Change Without Notice)