

Installation Guide



XBox-IP Prompter Device

XBox-IP Prompter Device



Part No. A9009-0001

www.autoscript.tv

EN

Copyright © 2017
All rights reserved.

Original Instructions: English

All rights reserved throughout the world. No part of this publication may be stored in a retrieval system, transmitted, copied or reproduced in any way, including, but not limited to, photocopy, photograph, magnetic or other record without the prior agreement and permission in writing of the Vitec Group Plc.

Disclaimer

The information contained in this publication is believed to be correct at the time of printing. Vitec Videocom Ltd reserves the right to make changes to the information or specifications without obligation to notify any person of such revision or changes. Changes will be incorporated in new versions of the publication.

We are making every effort to ensure that our publications are updated on a regular basis to reflect changes to product specifications and features. Should this publication not contain information on the core functionality of your product, please let us know. You may be able to access the latest revision of this publication from our website.

Vitec Videocom Ltd reserves the right to make changes to product design and functionality without notification.

Trademarks

All product trademarks and registered trademarks are the property of The Vitec Group Plc.

All other trademarks and registered trademarks are the property of their respective companies.

Published by:

Vitec Videocom Ltd

Email: technical.publications@vitecgroup.com

Contents	1
Software Download	1
Safety	2
Components and Connections	4
Front View	4
Rear View	4
Box Contents	5
Recommended Accessories (not supplied)	6
Installation	7
Connecting the XBox-IP	7
Local connection	7
Network Connection	8
Cable Management	9
Powering Up	9
LED Status	9
Configuration	10
Configuring the XBox-IP	10
Troubleshooting	11
Technical Specification / Maintenance	12
Physical Data	12
Routine Maintenance	12
Routine checks	12
Cleaning	12
General Notices	13



Important Please Read! Information for downloading WinPlus-IP software

To download the WinPlus-IP Software application visit the address below:

www.autoscript.tv/software-download



The version downloaded will be a demonstration version only.

No devices can be added to prompt until a registered valid serial number is entered. This is provided on our purchase delivery note.

After downloading the software you will be directed to the registration page where you will enter the Machine ID to generate the license.

The Machine ID must be **from the PC which will be running WinPlus-IP** otherwise the license will be void.

Important information on the safe installation and operation of this product. Read this information before operating the product. For your personal safety, read these instructions. Do not operate the product if you do not understand how to use it safely. Save these instructions for future reference.

Warning Symbols Used in these Instructions

Safety cautions are included in these instructions. These safety instructions must be followed to avoid possible personal injury and avoid possible damage to the product.



WARNING!

Where there is a risk of personal injury or injury to others, comments appear supported by the warning triangle symbol.

Where there is a risk of damage to the product, associated equipment, process or surroundings, comments appear supported by the word '**CAUTION**'.



ELECTRIC SHOCK

Where there is a risk of electric shock, comments appear supported by the hazardous voltage warning triangle.

Intended Use

The XBox-IP has been designed to provide a prompting text display and control system as part of a high quality teleprompting facility for television broadcasting.

The XBox-IP is intended for use by television presenters and prompter operators, installed within a TV studio environment, or on outside broadcasts (OB) when protected from weather by a suitable waterproof cover.

Electrical Connection



WARNING! Risk of electric shock. Always disconnect and isolate the product from the power supply before attempting any servicing or removing the covers.



CAUTION! The products must be connected to a power supply of the same voltage (V) and current (A) as indicated on the products. Refer to the technical specifications for the products



CAUTION! Only use the power cable specified for the products and certified for the country of use.



CAUTION! Using alternative power sources will invalidate the system EMC liability.

Basic Electrical Insulation (Class 1 Equipment)



WARNING! This product is Class 1 equipment. For safe operation this equipment must be connected to a power supply that has a protective earth connection (US: ground).

Mounting and Installation



WARNING! Always ensure that all power and auxiliary communications cables are routed so that they do not present any danger to personnel. Take care when routing cables in areas where robotic equipment is in use.

Water, Moisture and Dust



WARNING! Protect the product from water, moisture and dust. The presence of electricity near water can be dangerous.



WARNING! When using this product outside, protect from rain using a suitable waterproof cover.

Ventilation



WARNING! Slots and openings are intended for ventilation purposes to ensure reliable operation of the product, and protect it from overheating. Do not block or cover any slots and openings.

Operating Environment



CAUTION! The product should not be used outside the operating temperature limits. Refer to the product technical specifications for the operating limits for the product.

Cleaning



WARNING! Risk of electric shock. Always disconnect and isolate the product from the power supply before cleaning.



CAUTION! Do not use solvent or oil-based cleaners, abrasives or wire brushes.

Maintenance



WARNING! Servicing or repair of this product must only be performed by qualified and trained electrical engineers.



WARNING! The fitting of non-approved parts and accessories, or the carrying out of non-approved alterations or servicing can be dangerous and could affect the safety of the product. It may also invalidate the terms and conditions of the product warranty.

About this Guide

This guide describes the installation of the X-Box-IP as part of a full prompting system, using the range of compatible equipment and connecting cables available for various configurations.

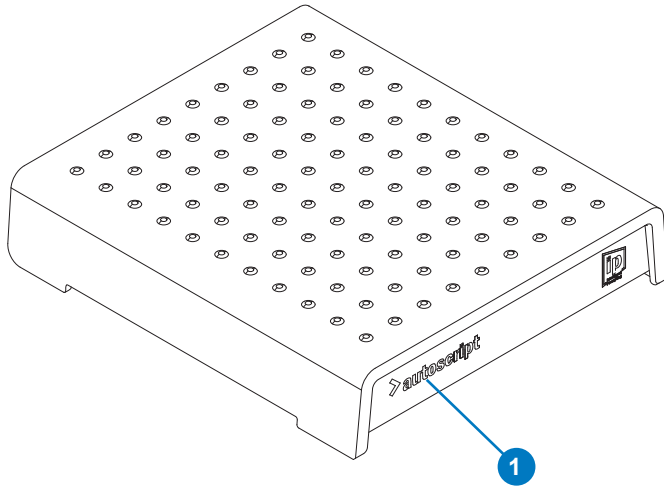
The range of XBox-IP variants covered in this guide consists of the following product:

Part No.	Description
XBox-IP	External IP enabled HD/HD-SDI prompt video generator.

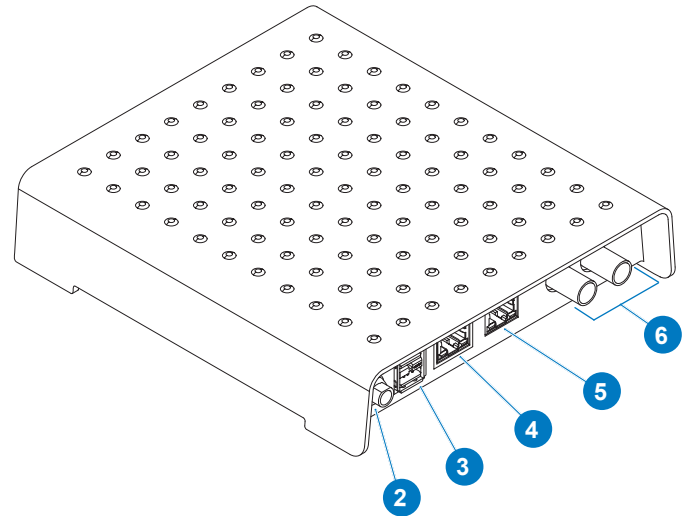
For more information on the installation and operation of the WinPlus-IP software, refer to the WinPlus-IP user guide.

Components and Connections

Front View



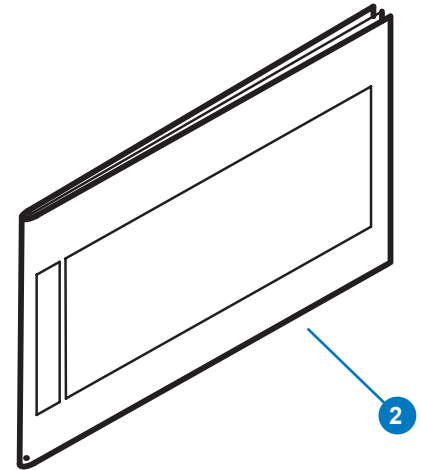
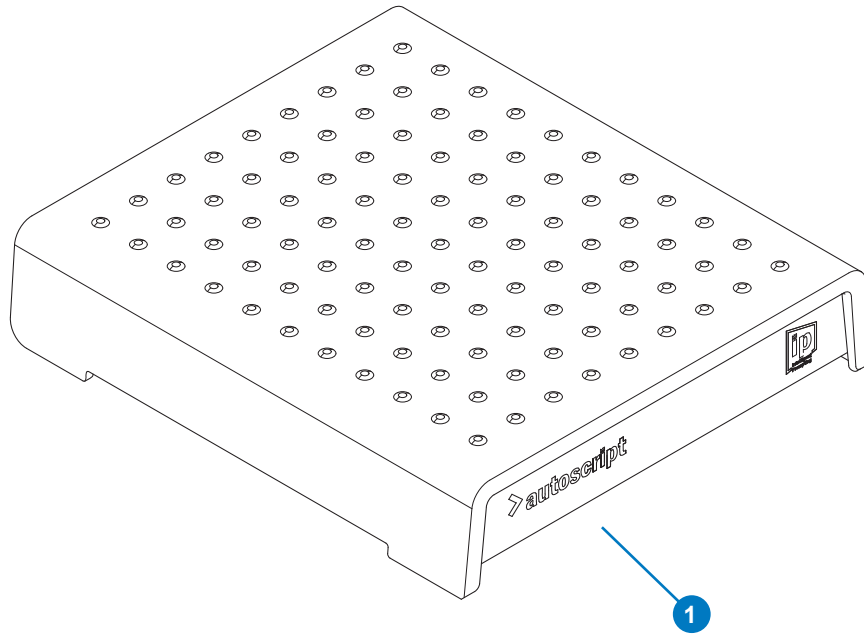
Rear View



1	Status light
2	12 V DC auxiliary port
3	Dual USB
4	PoE PD Port
5	RJ45 Power over Ethernet controller input
6	Dual HD-SDI outputs

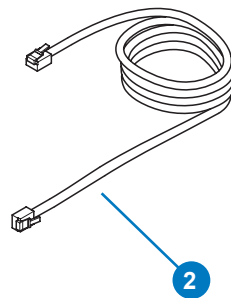
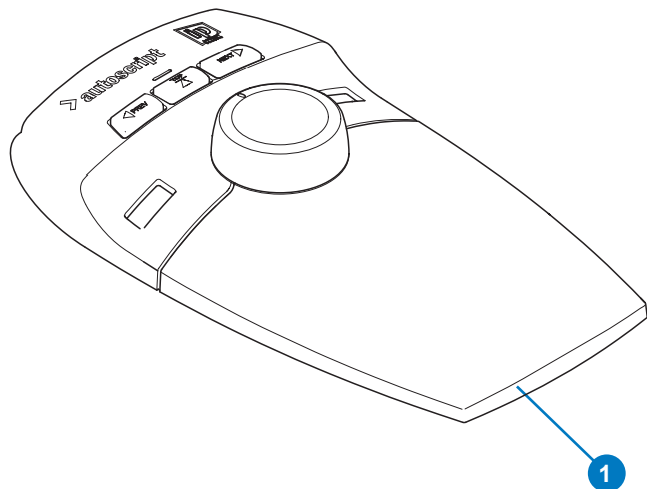
Box Contents

- | | |
|---|----------------------------|
| 1 | XBox-IP Scroll Engine |
| 2 | XBox-IP Installation Guide |



Components and Connections

Recommended Accessories (not supplied)



- | | |
|---|---|
| 1 | HC-IP Desktop Hand Control |
| 2 | RJ45 Cat5 or Cat6 cable and power injector solution (PoE) |

XBox-IP DC Power Supply Specification (if not using PoE)	
Input Voltage Range	100 - 230Vac
Output Voltage Rating	12V dc
Output Current	5A
Rated Output Power	5W
Output connection Type	2.1 x 5.5 x 11 Centre Positive
Protection Features	Over temperature, Over Voltage, Overload and Short Circuit
Marking	CE Approved

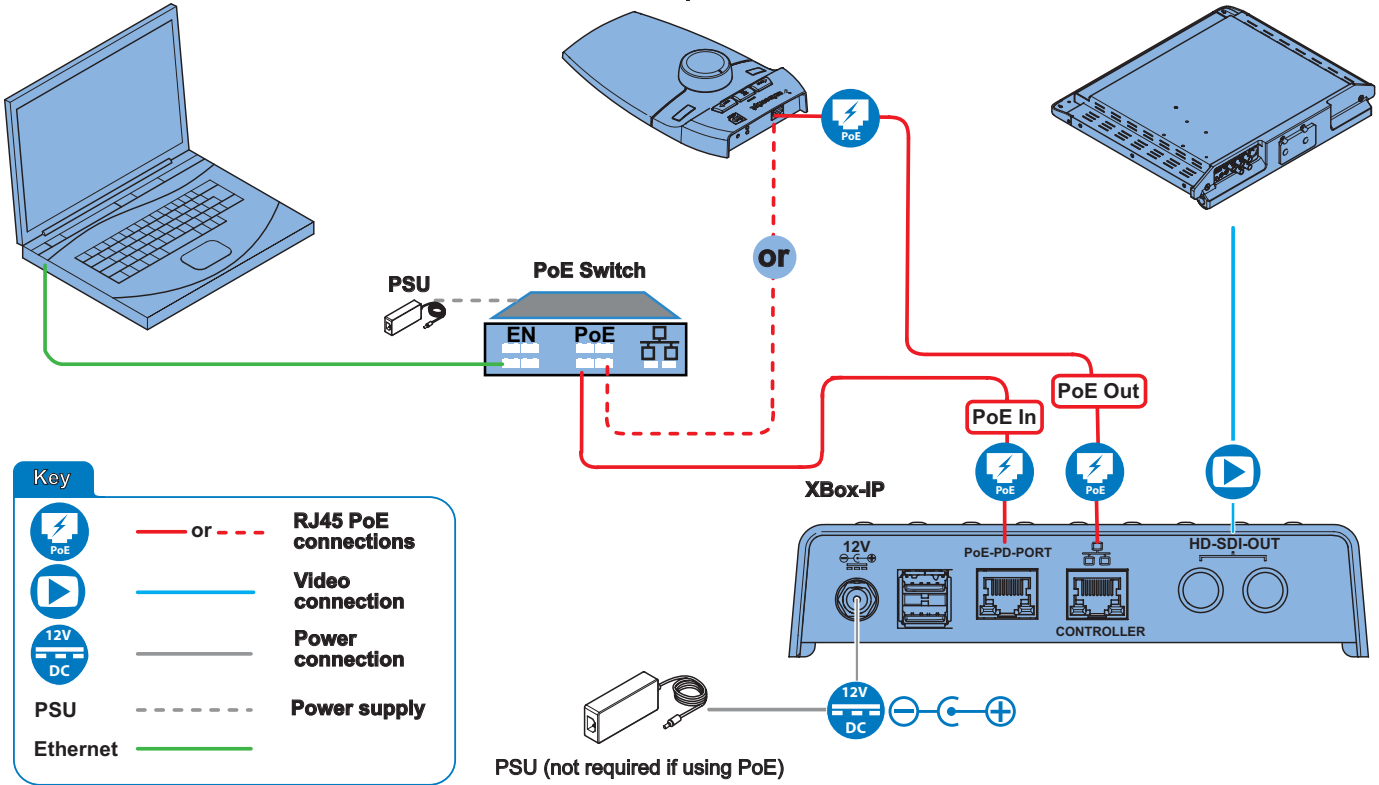
Connecting the Xbox-IP

Local connection

Host PC to PoE injector or PoE Switch

HC-IP Desktop Controller

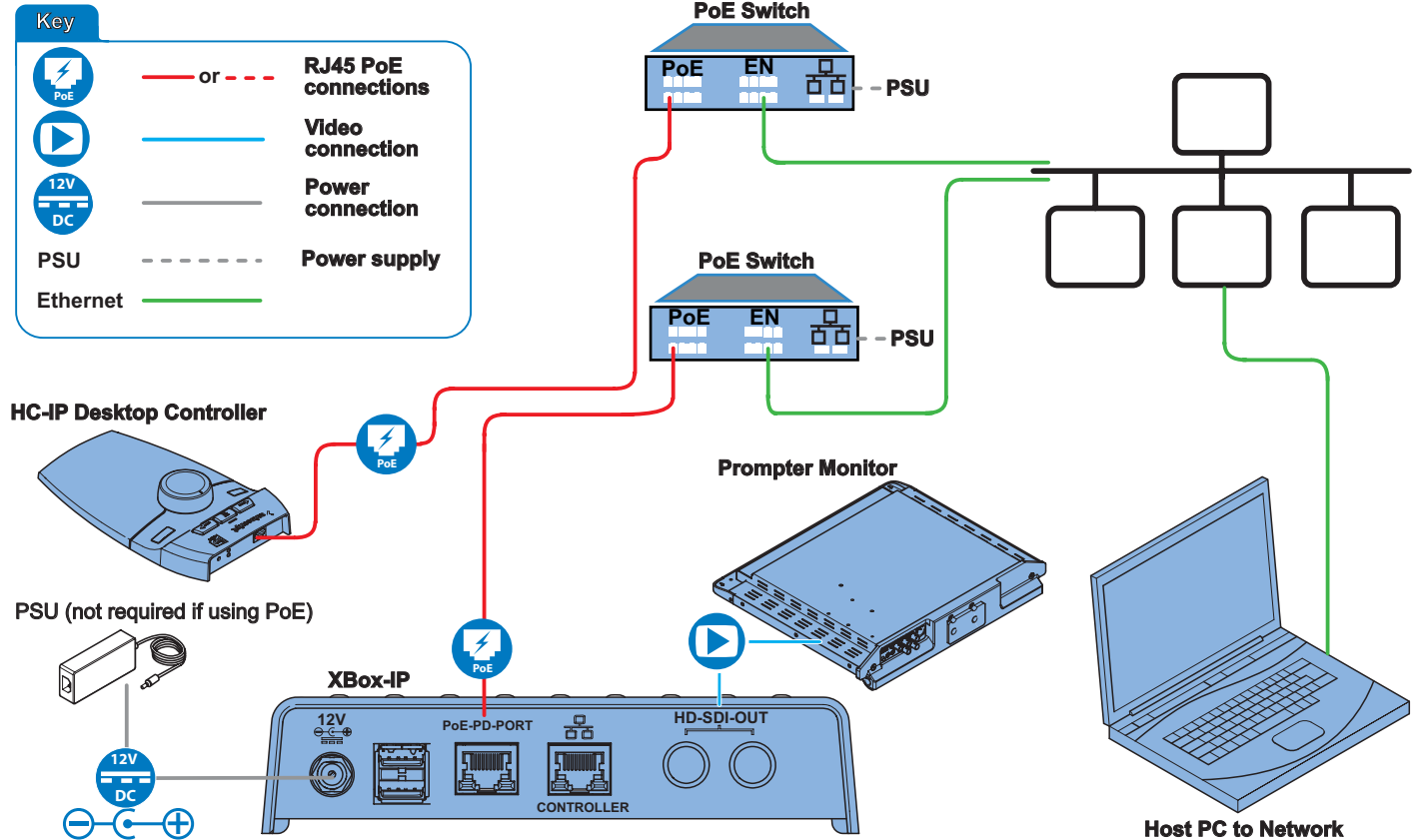
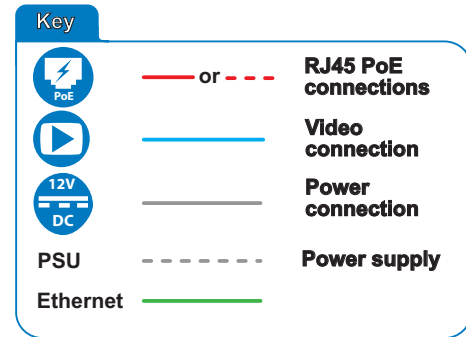
Prompter Monitor



Installation

Connecting the XBox-IP

Network Connection



Cable Management

Ensure all cables are securely attached to prevent them being accidentally disconnected during use.



WARNING! Always ensure that all power and auxiliary communications cables are routed so that they do not present any danger to personnel. Take care when routing cables in areas where robotic equipment is in use.

Powering Up

There are two options to supply power to the XBox-IP:

Power supplied over Ethernet (PoE) using an RJ45 cable with a suitable power injector. (Not supplied).

Or

A 12Vdc external power supply. (Not supplied).

PoE connection:



1. Ensure a suitable PoE injector solution is in place.
2. Plug the PoE cable into the RJ45 Power over Ethernet input.
3. The XBox-IP will power up.

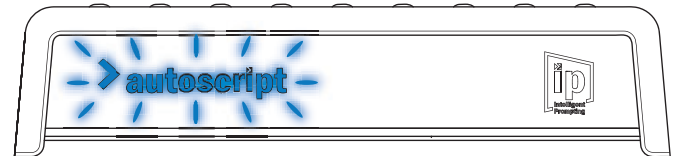
DC power supply.



1. Ensure a power supply of the correct specification is used (see power supply specifications on page 6).
2. Connect the power supply to the 12 V DC axillary port.
3. The XBox-IP will power up

LED Status

Status LED	
	No light: No power connection
	Status LED flashing: Powered on, network connected, no connection to WinPlus-IP.
	Solid BLUE light: Powered on, connected to the network and WinPlus-IP.

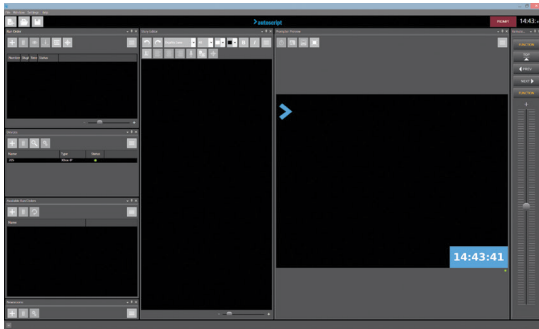


Configuration

Configuring the XBox-IP

To configure the XBox-IP the device will need to be connected to the host PC with the WinPlus-IP software installed either locally or via the network.

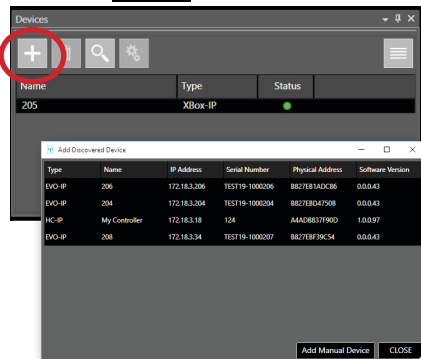
All configuration of the box and controllers takes place in WinPlus-IP.



1. Start the WinPlus-IP application.



2. From the **Devices** panel click the plus symbol.

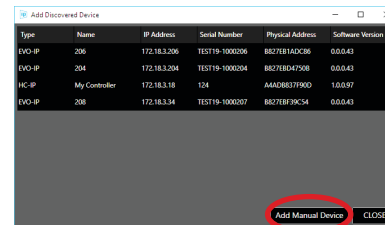


3. The **Add Discovered Device** window will open.

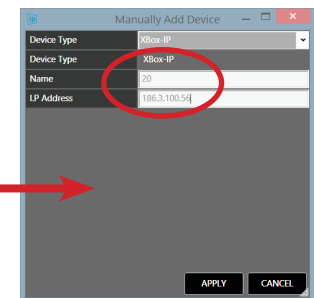
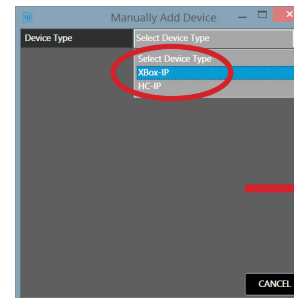
4. Double click the desired device and it will be added to the **Devices** window.

If no devices are detected.

1. From the **Devices** panel click the plus symbol. This will open the **Add Discovered Device** window.
2. Click the **Add Manual Devices** button to open the **Manually Add Device** window.



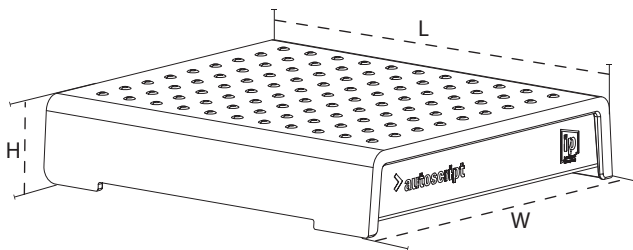
1. Select the required device type, in this case the XBox-IP. Add the device name and IP address. (See your systems administrator).
2. Click **APPLY** to store the device. The new device will now appear in the **Devices** panel.
3. Repeat the process to add further devices.
4. Refer to the WinPlus-IP user guide for further configuration advice.



Fault	Check	Comments
The XBox-IP is not powering up.	Check that the power over ethernet source has a suitable power injector.	
	Check that the cable from the PoE source is firmly locked into the PoE input on the XBox-IP.	
	Check that a quality Cat5 or Cat6 cable has been used to connect to the PoE injector	
	If using a DC power supply, check it is connected to the supply and cables are secure. Check the PSU connector is screwed securely into the 12vDC input on the rear of the XBox-IP.	
The XBox-IP is powered up, but not controlling the prompted text.	Check that any connections to controllers are correct and secured.	See the sections Connections on page 7 / 8.
	Check that a quality Cat5 or Cat6 cable has been used to connect the controller to the PoE injector.	
	Power cycle the XBox-IP by removing the PoE Injector connection.	
	If using a DC power supply, Power cycle the XBox-IP by disconnecting the cable from the 12vDC input.	
The prompter monitor is not displaying text.	Check that video connections are correct and secured.	See the sections Connections on page 7 / 8.
	Ensure that quality screened cables have been used for the video signal and that the screen is earthed at both ends.	
	Ensure that the SDI cable is connected to an SDI input on the prompter monitor.	Refer to the prompter monitor user guide.
	Ensure that the appropriate video format is selected for the prompter monitor to display.	Refer to the prompter monitor user guide.
The X-Box-IP has locked and is not responsive.	Power cycle the XBox-IP by removing the PoE Injector connection.	
	If using a DC power supply, Power cycle the XBox-IP by disconnecting the cable from the 12vDC input.	
The XBox-IP is not discovered on a local IP network.	Check that the XBox-IP and the software application are not separated by an IP gateway.	
	Check that the network switch has power.	
The XBox-IP IP Address is not configurable correctly from the application	Check that the correct IP address has been added for the XBox-IP.	

Technical Specification / Maintenance

Physical Data	
Width	162 mm (6.37 in.)
Length	182 mm (7.16 in.)
Height	37 mm (1.45 in.)
Weight	600g (1.3 lb)



Environmental Data	
Operating temperature range	+5°C to +40°C (+41°F to +104°F)
Storage temperature range	-20°C to +60°C (-4°F to +140°F)

Electrical data	
DC power input	12V DC
DC power output	12V DC, 1A
DC power consumption	8W
DC power consumption with PoE controller	11W

Internal Fuse	3A PCB Mounted. (Not User serviceable)
---------------	--

Technical specifications are subject to change without notice.

Routine Maintenance

The XBox-IP requires minimal routine maintenance, apart from checking the connections and overall operation periodically.

Routine checks

During use, check the following:

- Check cables for signs of wear or damage. Replace as necessary.
- Check that all cables are connected properly.

Cleaning



WARNING! Disconnect and isolate the product from the power supply before cleaning.

During normal use the only cleaning required should be a regular wipe over with a dry, lint-free cloth. Dirt accumulated during storage or periods of disuse may be removed with a vacuum cleaner. Particular attention should be paid to all connection ports.

FCC Certification



FCC Warning

Changes or modifications not expressly approved by the party responsible for compliance could void the user's authority to operate the equipment.

FCC Declaration of Conformity

This product complies with Part 15 of the FCC Rules. Operation is subject to the following two conditions:

1. This product may not cause harmful interference.
2. This product must accept any interference received, including interference that may cause undesired operations.

Declaration of Conformity



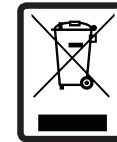
Vitec Videocom Limited declares that this product has been manufactured in accordance with BS EN ISO 9001:2008.

This product complies with the following EU Directives:

- Low Voltage Directive 2014/35/EU
- EMC Directive 2014/30/EU

Compliance with these directives implies conformity to applicable harmonized European standards (European Norms) which are listed on the EU Declaration of Conformity for this product or product family. A copy of the Declaration of Conformity is available upon request.

Environmental considerations



European Union Waste of Electrical and Electronic Equipment (WEEE) Directive (2012/19/EU)

This symbol marked on the product or its packaging indicates that this product must not be disposed of with general household waste. In some countries or European Community regions separate collection systems have been set up to handle the recycling of electrical and electronic waste products. By ensuring this product is disposed of correctly, you will help prevent potentially negative consequences for the environment and human health. The recycling of materials helps conserve natural resources.

Visit our website for information on how to safely dispose of this product and its packaging.

In countries outside the EU:

Dispose of this product at a collection point for the recycling of electrical and electronic equipment according to your local government regulations.

Publication No. A9009-4980/1



www.autoscript.tv