



Scan for full manual

## TP-580TD, TP-580RD Quick Start Guide

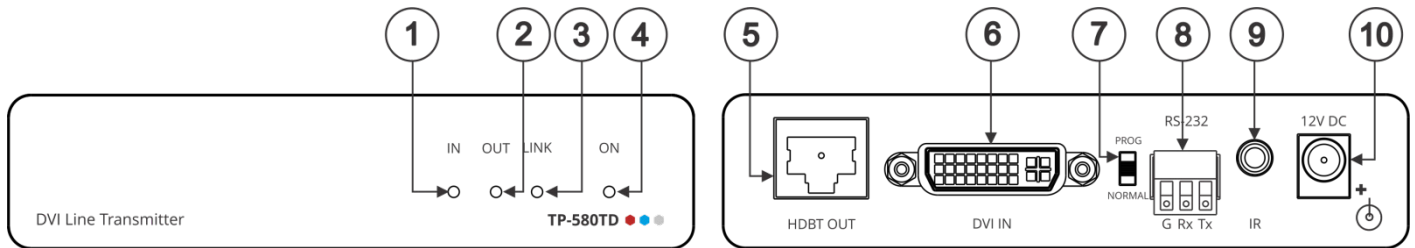
This guide helps you install and use your **TP-580TD, TP-580RD** for the first time.

Go to [www.kramerav.com/downloads/TP-580TD](http://www.kramerav.com/downloads/TP-580TD) to download the latest user manual and check if firmware upgrades are available.

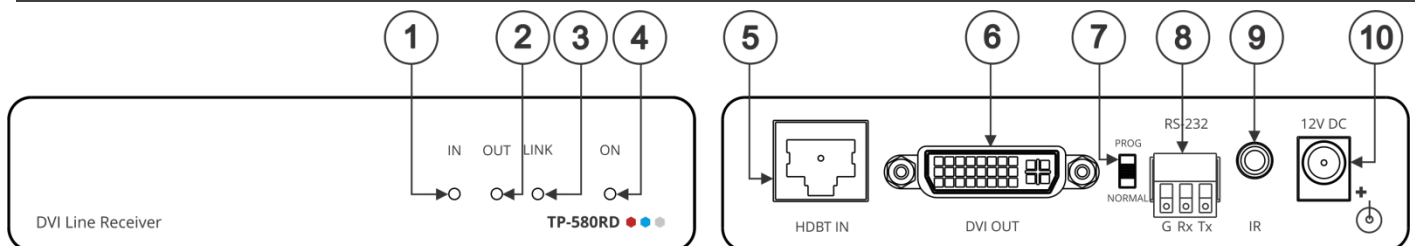
### Step 1: Check what's in the box

- ✓ TP-580TD, TP-580RD HDMI Line Transmitter / Receiver
- ✓ 4 Rubber feet
- ✓ 1 Bracket set
- ✓ 1 Power adapter and cord
- ✓ 1 Quick start guide

### Step 2: Get to know your TP-580TD, TP-580RD



| #  | Feature                               | Function  |
|----|---------------------------------------|---|
| 1  | IN LED                                | Lights green when an active DVI source device input signal is detected.   |
| 2  | OUT LED                               | Lights green when an active, far-end sink (acceptor) DVI output signal is detected via the HDBaseT link (a DVI signal is detected from a sink device connected to the HDBaseT receiver that is connected to this output).                                   |
| 3  | LINK LED                              | Lights green when an HDBT link is established with the HDBaseT receiver.  |
| 4  | ON LED                                | Lights green when the device receives power.  |
| 5  | HDBT IN RJ-45 Connector               | Connect to the RJ-45 OUT connector on a receiver (for example, <b>TP-580RD</b> ).   |
| 6  | DVI IN Connector                      | Connect to a DVI source.  |
| 7  | PROG/NORMAL Switch                    | Slide to PROG to upgrade to the latest Kramer firmware via RS-232, or slide to NORMAL for normal operation.   |
| 8  | RS-232 3-pin Terminal Block Connector | Connect to a laptop to control <b>TP-580TD</b> or perform firmware upgrade.<br>Connect to a controller device (for example, <b>SL-240C</b> ) to serially control a remote device (for example, the DVI OUT acceptor) that is connected to <b>TP-580RD</b> . |
| 9  | IR 3.5mm Mini Jack Connector          | Connect to an external infrared emitter / sensor.   |
| 10 | 12V DC Power Connector                | 12V DC connector for powering the unit.   |



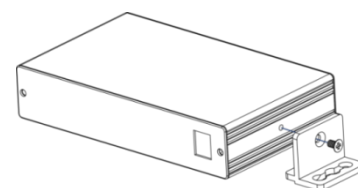
| # | Feature | Function   |
|---|---------|--|
| 1 | IN LED  | Lights green when an active far-end source DVI input signal is detected via the HDBaseT link (a DVI signal is detected from a source device connected to the HDBaseT transmitter that is connected to this input). |

| #  | Feature                               | Function  |
|----|---------------------------------------|---|
| 2  | OUT LED                               | Lights green when an HDMI output device is detected.  |
| 3  | LINK LED                              | Lights green when an HDBT link is established with the HDBaseT transmitter.   |
| 4  | ON LED                                | Lights green when the device receives power.  |
| 5  | HDBT IN RJ-45 Connector               | Connect to the RJ-45 OUT connector on a transmitter (for example, <b>TP-580TD</b> ).  |
| 6  | DVI OUT Connector                     | Connect to a DVI acceptor.  |
| 7  | PROG/NORMAL Switch                    | Slide to PROG to upgrade to the latest Kramer firmware via RS-232, or slide to NORMAL for normal operation.   |
| 8  | RS-232 3-pin Terminal Block Connector | Connect to a laptop to control <b>TP-580RD</b> or perform firmware upgrade.<br>Connect to a controlled device (for example, the DVI OUT acceptor) to control it from a remote serial controller (for example, <b>SL-240C</b> ) that is connected to <b>TP-580TD</b> . |
| 9  | IR 3.5mm Mini Jack Connector          | Connect to an external infrared emitter / sensor.   |
| 10 | 12V DC Power Connector                | 12V DC connector for powering the unit.   |

### Step 3: Install the TP-580TD, TP-580RD

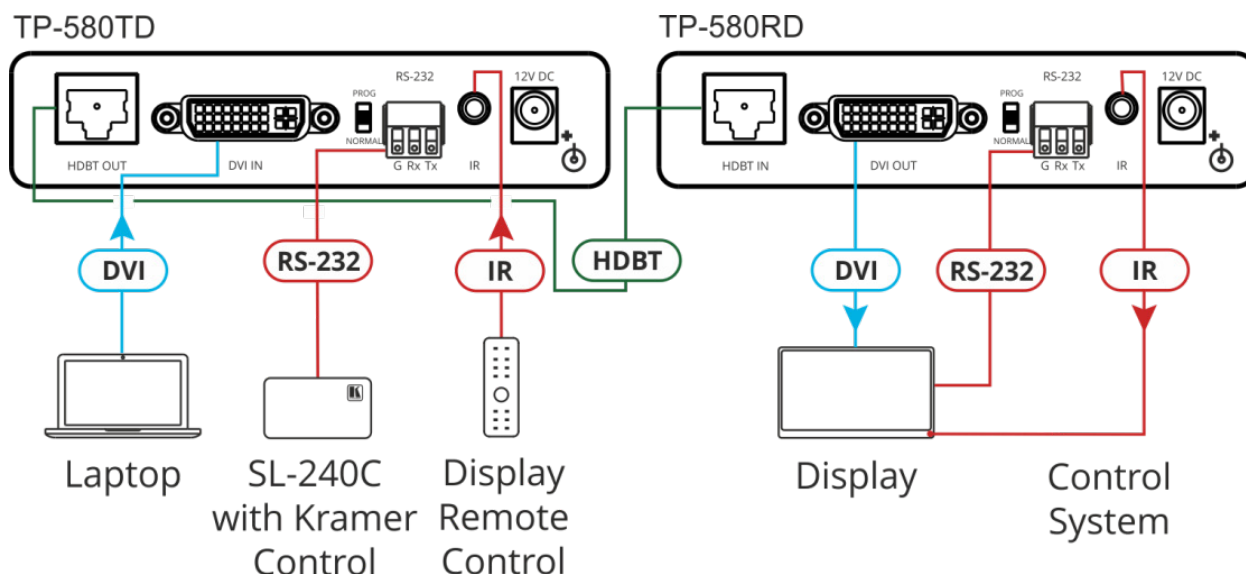
Install **TP-580TD**, **TP-580RD** using one of the following methods:

- Attach the rubber feet and place the unit on a flat surface.
- Fasten a bracket (included) on each side of the unit and attach it to a flat surface.  
For more information go to [www.kramerav.com/downloads/TP-580TD](http://www.kramerav.com/downloads/TP-580TD).
- Mount the unit in a rack using an optional **RK-3T** rack adapter.



### Step 4: Connect the inputs and outputs

Always switch OFF the power on each device before connecting it to your **TP-580TD**, **TP-580RD**. For best results, we recommend that you always use Kramer high-performance cables to connect AV equipment to the **TP-580TD**, **TP-580RD**.



### Step 5: Connect the power

Connect the power adapter to the **TP-580TD**, **TP-580RD** and plug the adapter into the mains electricity.

#### Safety Instructions



- Caution:** There are no operator serviceable parts inside the unit
- Warning:** Use only the Kramer Electronics power supply that is provided with the unit
- Warning:** Disconnect the power and unplug the unit from the wall before installing  
See [www.KramerAV.com](http://www.KramerAV.com) for updated safety information.