

BAG END SELF-POWERED

INSTALLATION SERIES

P-S18E-I

S P E C I F I C A T I O N S



SYSTEM COMPONENTS

Enclosure:

18 mm 13-ply birch plywood

Low Frequency Transducer:

18" INFRA cone
3" Voice coil
120 oz. Magnet

Internal Amplification:

1- Minima One

Grille:

16 Gauge black vinyl coated perforated steel

Standard Hardware:

4 - Machined aluminum speaker mounting clamps

Optional Hardware:

Rigging points

ACOUSTIC AND ELECTRICAL

System Type:

Infrasub sealed chamber (3 ft³)

Input:

10k Ω Balanced XLR inputs with loop through

Input CAL Sensitivity:

+4 dBu

System Power:

500 W continuous

Frequency Response:

60 Hz to 250 Hz \pm 3 dB
w/External Infra Integrator
8 Hz to 95 Hz \pm 3 dB

Hi Pass Filter Frequency Switchable:

-6 dB @ 8 Hz, @ 50 Hz, @ 95 Hz

Crossover Network:

Requires external INFRA Integrator for 8 Hz Response

Maximum Acoustic Output:

Half Space @ 1 Meter
10 Hz - 94 dB SPL
20 Hz - 106 dB SPL
40 Hz - 118 dB SPL
80 Hz - 127 dB SPL

LED Indicators:

Green, On
Yellow, System Limit
Red, System Fault or Sleep Mode

AC Power Requirements:

88 Volts Minimum
270 Volts Maximum

PHYSICAL

Standard Finish:

Black Textured Finish

Dimensions:

21" h x 22" w x 18" d
54 cm x 56 cm x 46 cm

Weight:

69 lbs., 31.5 kg

Shipping Dimensions:

24" x 25" x 21"
61 cm x 64 cm x 54 cm

Shipping Weight:

77 lbs., 35 kg

APPLICATIONS:

Film & Video Post Production

5.1 Digital Format Subwoofer

PA System Installations

Recording Studio

Mastering Facility

Home Theater

Discotheque

MINIMA ONE SELF POWERED The P-S18E-I is a high output self-powered subwoofer system designed to provide high fidelity extended low frequency audio reproduction from a relatively small enclosure. The P-S18E-I provides perfectly flat response down to 8 Hertz when used in conjunction with the 8 Hertz Integrator. Designed for permanent installation, the P-S18E-I offers a flat black textured finish and a black coated steel grille.

OPTIONAL CUSTOM FINISHES Available in textured white paint or ready-to-stain natural birch for greater versatility in location and aesthetics. Also available in outdoor weather resistant package.

ABOUT INFRASUB TECHNOLOGY Almost all specifications for subwoofer systems are fixated on the frequency response domain. However, the impression of power and quality is equally related to the time domain performance of a system. Because of the long wavelengths of low frequencies, this is particularly true with subwoofers. Likewise, the maximum SPL is not a very reliable way to judge the impact of a subwoofer. A poor time domain performer will not have the same impact or natural sound as a time correct INFRA system.

The reason that INFRA technology sounds dramatically better than the others is because of their superior time domain performance. The INFRA subwoofer maintains the bass energy in a tight packet, aligned with the upper range signal, providing a greater body impact and a seamless musical connection with the main loudspeakers.

Conventional sub designs perform so poorly in the time domain because designers have used methods that sacrifice the phase response for more control over the frequency response (e.g., steep low pass filter slopes, vented speaker enclosures, and narrow bandwidth systems). With the INFRA technique, we do not degrade the phase response while extending the frequency response.

While the INFRA dual integrator does function as the system crossover, it does so without using a low pass filter. Adding a low pass filter, analog or digital, will have a degrading effect on the time domain performance of the INFRA subwoofer. A low pass filter adds signal delay to the sound which varies with frequency. Also, narrowing the pass band increases the influence of the rolloff on both ends of the subwoofer spectrum. The result is the smearing of the arrival times of the low frequency sound components, changing the timbre and downgrading the impact of transient sounds.

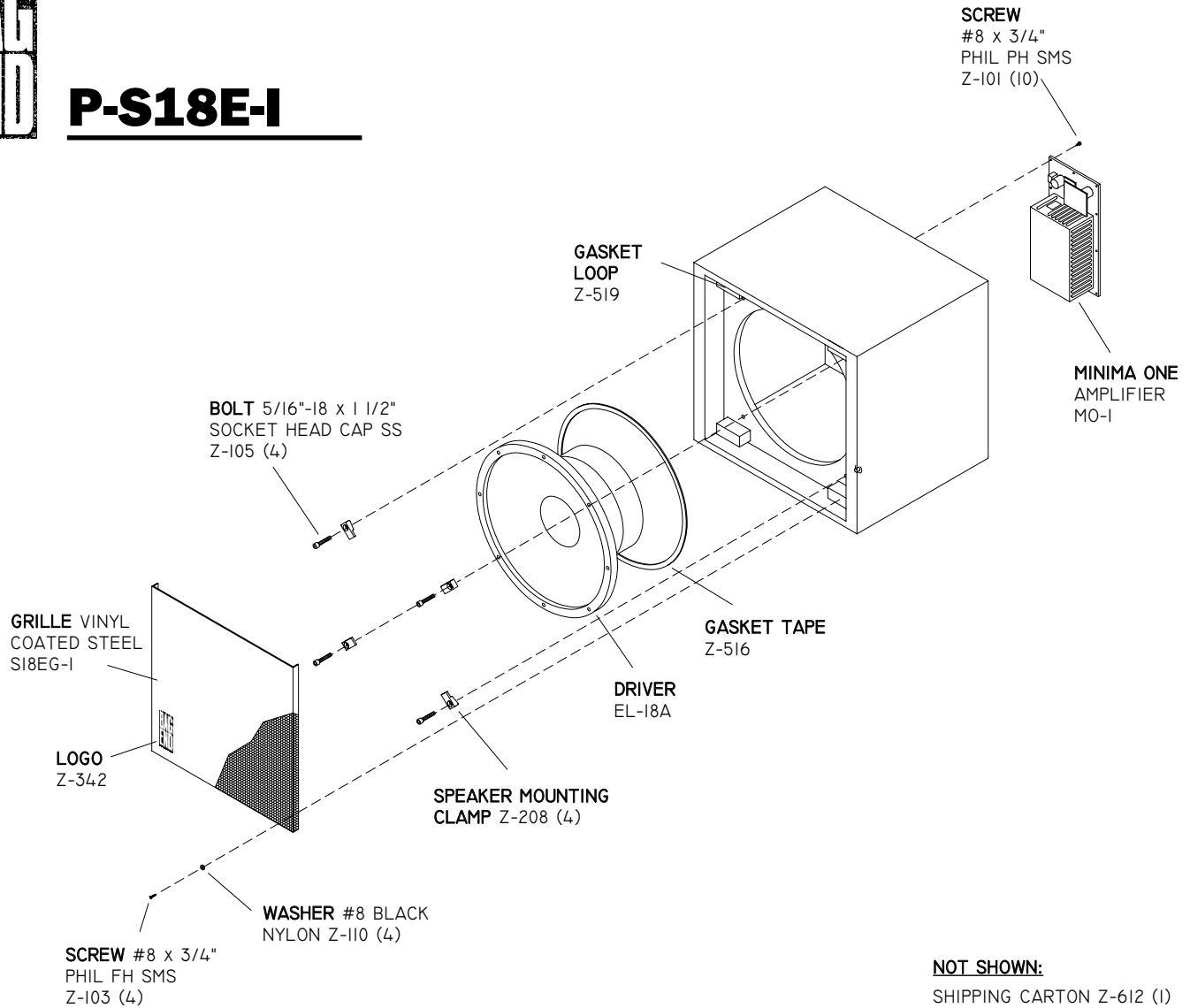
The Bag End INFRA subwoofers are designed as no-compromise, high fidelity reproduction systems. We believe they are the finest subs available, regardless of price.

BAG END Loudspeakers
22N272 Pepper Road
Lake Barrington, Illinois
60010 USA
Voice 847 382 4550
Fax 847 382 4551
www.bagend.com

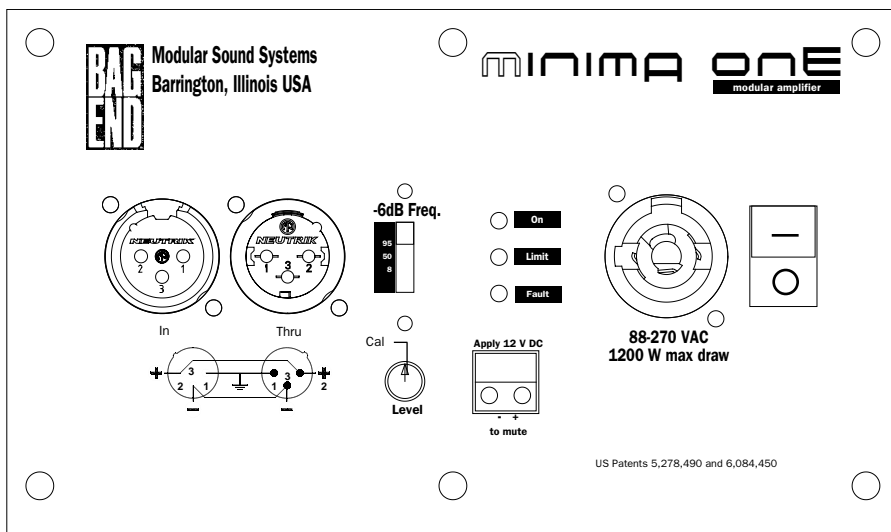




P-S18E-I



- NOT SHOWN:**
- SHIPPING CARTON Z-612 (1)
 - PLASTIC BAG Z-627 (1)
 - CORNER GUARD Z-629 (8)
 - EDGE GUARD Z-630 (20)



ABOUT MINIMA ONE AMPLIFIER TECHNOLOGY The Minima One amplifier is both a hi fidelity and a high efficiency amplifier. More than 80% efficient the Minima One provides more power to the loudspeakers and creates less heat in the amplifier. In real world applications there is practically no heat emitted from the amplifier and thus requires no cooling fan. Incorporating patented technology the comparison circuit of the Minima One corrects every single cycle to drive error to zero at the end of each cycle. On average every 4 microseconds the one cycle modulator transforms and amplifies the input signal into the ideal natural pulse width modulation. Switching at 250KHz with the single cycle error correction insures extremely low distortion and high reliability.

The power factor corrected AC power input automatically and continuously adapts to any voltage between 88 and 270 volts. The Minima One is convenient to power and stable to use on any power grid in the world.