



GENERAL INFORMATION

ETC's DMX/RDM One-Port Gateway provides data distribution using the quality and reliability of ETC's network technology. Built for Net3 using industry-standard streaming ACN and sACN, the One-Port Gateway unlocks the power of your networked system. The One-Port Gateway also uses bidirectional Ethernet communication with other network devices to send or receive DMX512 and Remote Device Management (RDM) signals.

APPLICATIONS

- Ideal for venues and applications where single DMX ports are required with an Ethernet infrastructure
- Houses of worship
- High schools
- Community theaters
- Academic theaters
- Convention halls
- System integration

FEATURES

- One DMX/RDM connection using 5-pin male or female XLR
- Distributes DMX and RDM data to any input/output device over Ethernet
- Powered using Power over Ethernet (PoE) or low-voltage DC power
- Supports Net3 protocol powered by ACN
- Power and network status indicators
- Configurable using Net3 Concert software

ORDERING INFORMATION

One-Port Gateway

MODEL	DESCRIPTION
N31G-_F	One-Port DMX/RDM Output Gateway
N3T1G-_F	One-Port DMX/RDM Output Portable Gateway
N31G-M	One-Port DMX/RDM Input Gateway
N3T1G-M	One-Port DMX/RDM Input Portable Gateway
N31G-DIN	One-Port DMX/RDM Gateway - DIN-Rail Mount

Enter station color code in __ space provided.

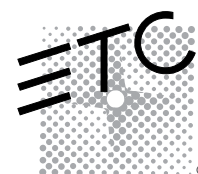
1 = Cream (RAL 9001), 4 = Black (RAL 9004), 5 = Signal White (RAL 9003)

Portable Gateways include backbox with Ethercon connector and hanging bracket. Hanging hardware is available separately.

DIN-rail gateways mount to standard DIN-rail (provided by others)

One-Port Gateway Accessories

MODEL	DESCRIPTION
N31G-BB	Surface-mount backbox, 3.5" deep
UBOLT	U-Bolt Hardware Kit
400CC	C-Clamp Hardware Kit



SPECIFICATIONS

FUNCTIONAL

- Supports Net3 and sACN/ACN (ANSI E1.31 and E1.17)
- Supports RDM (ANSI E1.20)
- USITT DMX512 and ANSI E1.11 DMX512-A compliant
- Advanced Input Patch (AIP) allows incoming DMX address to be dynamically patched with any sACN address
- Flexible Output Patch (FOP) allows a 512-address universe to begin at any output address
- Support for per-address or per-universe priority

MECHANICAL

- One integrated DMX-input or DMX-output port
- Network, power and data activity LED indicators
 - Blue power indicator, green network activity indicator
 - Bi-color DMX activity indicator
- RJ45 for connection to lighting network
- Wall-mount
 - Fine-textured, powder-coat paint with matching overlay and ABS decorator faceplate
 - Flush-mount using standard RACO 695 backbox (by others)
 - Surface-mount backboxes available from ETC
- Portable/Touring
 - Backbox with Ethercon connector and hanging bracket included
 - C-clamp and U-bolt hardware available
- DIN-rail
 - Extruded aluminium enclosure
 - Mounting complies with DIN43880 (35/7.5 rail)
 - DIN installation enclosure available

ENVIRONMENTAL

- Ambient operating temperature: 0° to 40°C (32° to 104°F)
- Operating humidity: 5% - 95% non-condensing
- Storage temperature: -40° to 70°C (-40° to 158°F)

ELECTRICAL

- Compliant with IEEE 802.3i for 10BASE-T, 802.3u for 100BASE-TX and 802.3af for Power over Ethernet
- Optional 8-28vDC power input for use with non-PoE systems
- Maximum five-watt current draw
- RoHS compliant (lead-free)
- CE compliant and ETL listed

DMX PORT

- Software configurable for input or output
- Fully optically isolated input from gateway electronics
- Withstands fault voltages of up to 250VAC
- Integrated DMX/RDM termination

CONFIGURATION

- Configuration using Net3 Concert Software
- Supports up to 512 DMX addresses per port
- 512 channels of data input or output
- Multiple sources may be combined to the network with each source or address allowed an independent priority

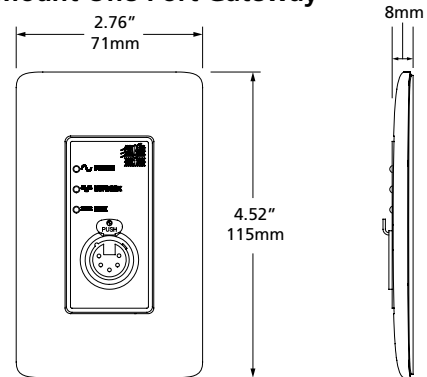
PHYSICAL

One-Port Gateway Dimensions

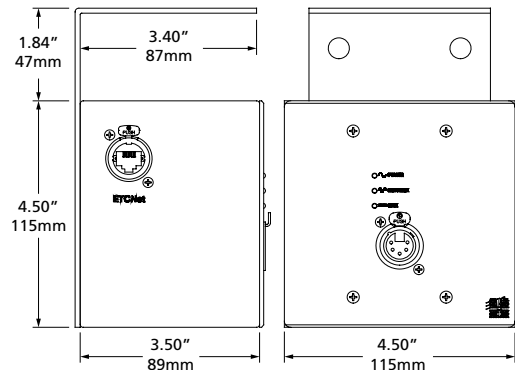
MODEL	HEIGHT		WIDTH		DEPTH	
	inches	mm	inches	mm	inches	mm
N31G	4.50	115	2.75	70	0.31	8
N3T1G*	6.34	161	4.50	115	3.50	89
N31G-DIN	4.13	105	5.28	134	1.61	41

*Height without mounting hardware

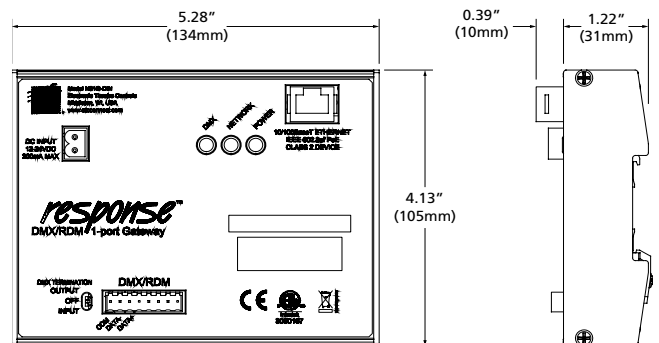
Wall-Mount One-Port Gateway



One-Port DIN-Rail Gateway



One-Port DIN-Rail Gateway



Corporate Headquarters • 3031 Pleasant View Rd, PO Box 620979, Middleton WI 53562 0979 USA • Tel +1 608 831 4116 • Fax +1 608 836 1736
 London, UK • Unit 26-28, Victoria Industrial Estate, Victoria Road, London W3 6UU, UK • Tel +44 (0)20 8896 1000 • Fax +44 (0)20 8896 2000
 Rome, IT • Via Pieve Torina, 48, 00156 Rome, Italy • Tel +39 (06) 32 111 683 • Fax +39 (06) 32 656 990
 Holzkirchen, DE • Ohmstrasse 3, 83607 Holzkirchen, Germany • Tel +49 (80 24) 47 00-0 • Fax +49 (80 24) 47 00-3 00
 Hong Kong • Room 1801, 18/F, Tower 1 Phase 1, Enterprise Square, 9 Sheung Yuet Road, Kowloon Bay, Kowloon, Hong Kong • Tel +852 2799 1220 • Fax +852 2799 9325
 Web • www.etcconnect.com • Copyright©2015 ETC. All Rights Reserved. All product information and specifications subject to change. 4264L1101 Rev. D Printed in USA 12/15