



## ACL PAR 200IP™

SKU# ACL066

The new ACL PAR 200IP™ is a versatile IP65 rated par luminaire featuring (7) individual 15W RGBW 4-in-1 LEDs and the new advanced collimator optic lens, producing a laser-like homogenized 4° color-changing beam from each lens which combined produce a 11° beam angle. Features include full individual pixel control, strobe, and selectable dimming curve effects, DMX and RDM (Remote Device Management) support, IP DMX and IP power in/out connections, (4) touch control pads, LCD menu display, 110W max power consumption, and a multi-voltage universal auto switching power supply (100-240v).



### FEATURES

**Versatile IP65 Rated Par Luminaire**

**New Advanced Collimator Optic Lens**

**(7) Pixel Controlled 15W RGBW 4-in-1 LEDs**

**Laser-Like Homogenized 4° Color Changing Beams**

**Strobe and Selectable Dimming Curve Effects**

**DMX / RDM (Remote Device Management) Support**

**Flicker Free Operation for Broadcast TV and FILM**



ELATION | ACL PAR 200IP™ | Product Specification Sheet

Specifications are subject to change without notice ©Elation Professional 05/22/16

Elation Professional USA | 6122 S. Eastern Ave. | Los Angeles, CA. 90040  
323-582-3322 | 323-832-9142 fax | www.elationlighting.com | info@elationlighting.com

Elation Professional B.V. | Junostraat 2 | 6468 EW Kerkrade, The Netherlands  
+31 45 546 85 66 | +31 45 546 85 96 fax | www.elationlighting.eu | info@elationlighting.eu

**PRODUCT SPECIFICATIONS**

**SOURCE**

(7) 15W RGBW 4-in-1 LEDs  
100,000 Hour Average LED Life\*

\*LED Life may vary depending on several factors including but not limited to: Environmental Conditions, Power/Voltage, Usage Patterns (On-Off Cycling), Control and Dimming.

**PHOTOMETRIC DATA**

56,149 LUX 5,216 FC @3.3' (1m)  
36,935 LUX 3,431 FC @6.6' (2m)  
20,439 LUX 1,899 FC @9.8' (3m)  
11,897 LUX 1,105 FC @13.1' (4m)  
7,617 LUX 708 FC @16.4' (5m)

**EFFECTS**

Individual Pixel Control  
Strobe and Selectable Dimming Curves

**COLOR**

RGBW

**CONTROL / CONNECTIONS**

(11) DMX Channel Modes  
(4CH1:04 / 4CH2:04 / 6 / 8 / 10 / 12 / 27 / 28 / 30 / 32 / 35)  
RDM (Remote Device Management)  
4 Touch Control Pads  
LCD Menu Display  
IP DMX In/Out  
IP Power In/Out

**SIZE / WEIGHT**

Length: 12.3" (313mm)  
Width: 6.9" (174.5mm)  
Vertical Height: 11.8" (300mm)  
Weight: 14.0 lbs. (6.4 kg)

**ELECTRICAL / THERMAL**

AC 100-240V - 50/60Hz  
110W Max Power Consumption  
5F to 113°F (-15°C to 45°C)

**APPROVALS / RATINGS**



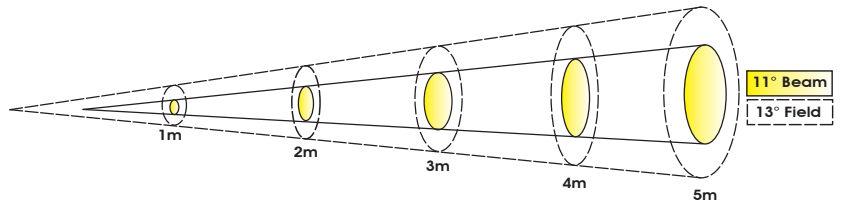
**INSTALLATION**

Rigging: Clamps (Not Included)  
Working Position: Any (360°)

**INCLUDED ITEMS**

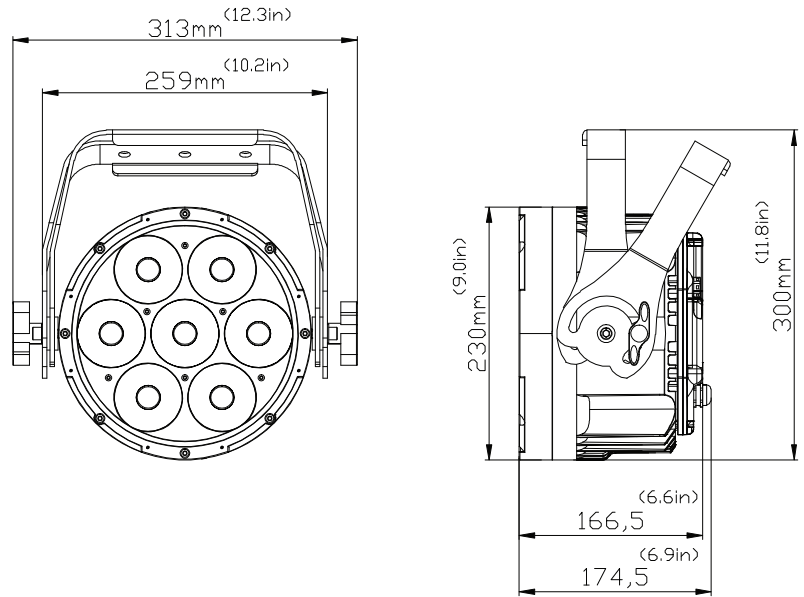
Male Edison to IP Female Power Cable 6.6 ft. (2m)  
Male 3pin XLR to IP Female DMX Input Cable 3.3 ft (1m)  
Female 3pin XLR to IP Male DMX Output Cable 3.3 ft (1m)

**PHOTOMETRIC DATA**



	1 m	3.3 ft	2 m	6.6 ft	3 m	9.8 ft	4 m	13.1 ft	5 m	16.4 ft
11° Beam	0.19	0.6	0.39	1.3	0.55	1.8	0.75	2.5	0.92	3.0
13° Field	0.29	1.0	0.83	2.7	0.83	2.7	1.11	3.6	1.42	4.7
	<b>lux</b>	<b>fc</b>	<b>lux</b>	<b>fc</b>	<b>lux</b>	<b>fc</b>	<b>lux</b>	<b>fc</b>	<b>lux</b>	<b>fc</b>
RED LEDs	11,493	1,068	7,530	700	4,135	384	2,319	215	1,554	144
GREEN LEDs	22,716	2,110	16,311	1,515	10,157	944	6,141	570	3,865	359
BLUE LEDs	4,664	433	3,352	311	1,932	179	1,120	104	713	66
WHITE LEDs	37,175	3,454	19,496	1,811	9,524	885	5,512	512	3,421	318
<b>FULL ON</b>	<b>56,149</b>	<b>5,216</b>	<b>36,935</b>	<b>3,431</b>	<b>20,439</b>	<b>1,899</b>	<b>11,897</b>	<b>1,105</b>	<b>7,617</b>	<b>708</b>

**DIMENSIONAL DIAGRAMS**



**OPTIONAL ACCESSORIES**

ORDER CODE	ITEM
<b>TRIGGER CLAMP</b>	Heavy Duty Wrap Around Hook Style Clamp
<b>EWD001</b>	EWDMX IP Wireless IP65 DMX Transceiver
<b>SIXPAR/2MDLC</b>	6.6 ft. (2m) IP Data Link Cable
<b>SIXPAR/2MPLC</b>	6.6 ft. (2m) IP Power Link Cable
<b>SIXPAR/3MDLC</b>	9.8 ft. (3m) IP Data Link Cable
<b>SIXPAR/3MDLC</b>	9.8 ft. (3m) IP Power Link Cable
<b>SIXPAR/5MDLC</b>	<b>**SPECIAL ORDER ITEM**</b> 16.4 ft. (5m) IP Data Link Cable
<b>SIXPAR/5MPLC</b>	<b>**SPECIAL ORDER ITEM**</b> 16.4 ft. (5m) IP Power Link Cable
<b>SIXPAR/10MDLC</b>	<b>**SPECIAL ORDER ITEM**</b> 32.8 ft. (10m) IP Data Link Cable
<b>SIXPAR/10MPLC</b>	<b>**SPECIAL ORDER ITEM**</b> 32.8 ft. (10m) IP Power Link Cable
<b>SIXPAR/20MDLC</b>	<b>**SPECIAL ORDER ITEM**</b> 65.6 ft. (20m) IP Data Link Cable
<b>SIXPAR/20MPLC</b>	<b>**SPECIAL ORDER ITEM**</b> 65.6 ft. (20m) IP Power Link Cable
<b>SIXPAR/DIAC</b>	Data IN IP Adapter Cable
<b>SIXPAR/DOAC</b>	Data OUT IP Adapter Cable
<b>SIXPAR/PIAC</b>	Power IN IP Adapter Cable
<b>SIXPAR/POAC</b>	Power OUT IP Adapter Cable
<b>SIXPAR/TERMINATOR</b>	DMX Terminator End Cap
<b>SIXPAR200/GFH</b>	Gel Frame and Holder Kit



Specifications are subject to change without notice ©Elation Professional 05/22/16

Elation Professional USA | 6122 S. Eastern Ave. | Los Angeles, CA 90040  
323-582-3322 | 323-832-9142 fax | www.elationlighting.com | info@elationlighting.com

Elation Professional B.V. | Junostraat 2 | 6468 EW Kerkrade, The Netherlands  
+31 45 546 85 66 | +31 45 546 85 96 fax | www.elationlighting.eu | info@elationlighting.eu