



Zoomable Beam, LED Ring + Infinite Pan/Tilt

Wink™ is a powerful LED moving head fixture that comes loaded with features such as a high-output 60W 4-in-1 RGBW LED in the center with 5-45° motorized zoom for exceptionally bright wide/narrow beams, plus a 4" segment (pixel mappable) LED ring with a total of 8x 0.5W RGB LEDs for extra cool eye candy effects.

Users can also shake things up with Wink's blazing fast 540°/270° pan and tilt, or even mind-blowing unlimited movement thanks to its incredible infinite pan and tilt rotating abilities.

This fixture offers 2 auto modes, 2 sound active modes, multiple color presets, virtual color wheel effects, 4-button TFT LCD display, 3-pin DMX In/Out, powerCON™ compatible power In/Out, and a single ¼ turn omega mounting bracket.

And of course, it is backed by Blizzard's 2-year warranty!



Main Features

- 1* 60W RGBW high-output 4-in-1 LED
- 4-segment RGB colored ring with 8* 0.5W RGB 3-in-1 LEDs
- Individual pixel and LED ring control
- 5-45 degree zoomable beam angle
- 540°/270° tilt + infinite pan and tilt
- Fast Pan/tilt motors with 16-bit resolution
- Built-in auto and sound active programs
- Multiple static color presets and virtual color wheel
- Variable electronic dimming & strobe effects (1-20Hz)
- Flicker-free constant-current LED driver
- 3-pin male input and 3-pin female output
- PowerCON™ compatible AC power In/Out connectors
- Protocol: USITT DMX-512
- 19/26/35-channel DMX modes
- 2.4 inch TFT color LCD display panel with 4x touch sensitive buttons

Rear Connections:



Optical

1x 60W RGBW 4-in-1 LED
+ 8* 0.5W RGB 3-in-1 LEDs (Ring)

Beam Angle: 5°- 45°

Luminous Intensity:
6,517 Lux @ 2.5m (5°),
425 Lux @ 2.5m (45°),
1,700 Lux @ 5m (5°),
130 Lux @ 5m (45°)



Weight + Dimensions

Width: 8.3" (210 mm)
Depth: 6.5" (164 mm)
Height: 12.1" (306.6 mm)

Weight: 12.5 lbs. (5.7 kg)



Control

Protocol: USITT DMX-512

19/26/35-channel DMX modes

Standalone, master/slave, auto, sound active

3-pin XLR In/Out connections

4-button LCD control panel



Power + Current

100-240VAC, 50-60 Hz

Power Consumption:
110W, 1.44A, PF: .66



Movement

Pan: 540 degree (8-16 bit resolution)

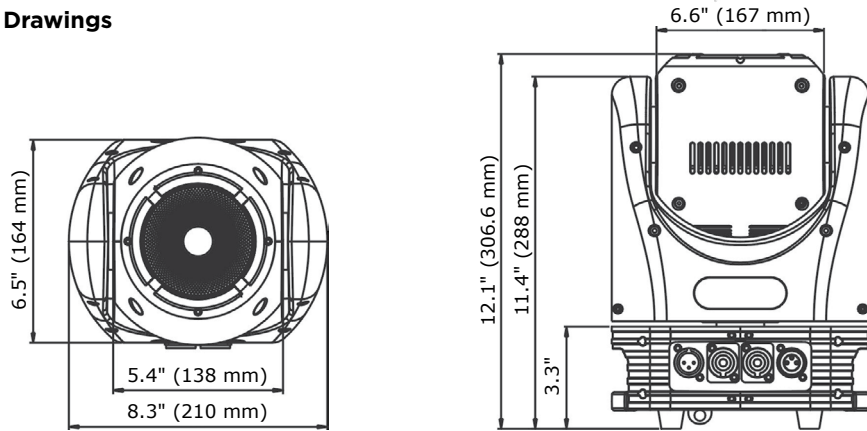
Tilt: 270 degree (8-16 bit resolution)

Infinite pan and tilt

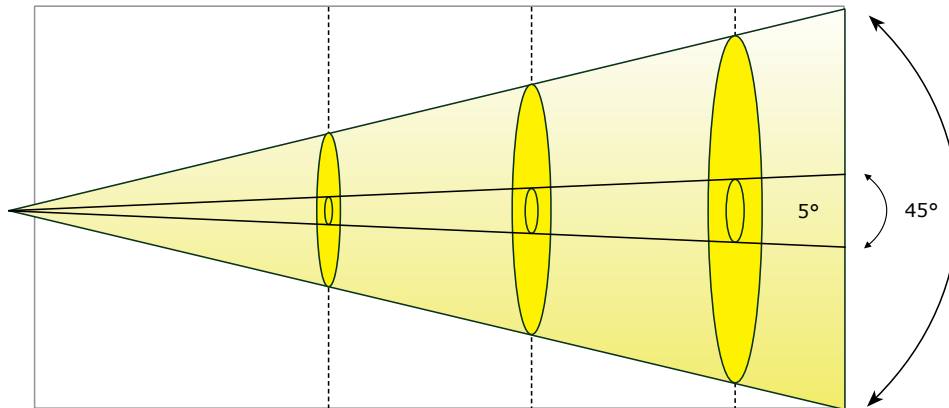




Dimensional Drawings



Photometric Data



| | | | |
|-------------------|---------------|------------------|-----------------|
| Distance: | 1m | 2.5m | 5m |
| 5° beam diameter | 3.5" (9 cm) | 8.9" (22.5 cm) | 17.7" (45 cm) |
| 45° beam diameter | 31.9" (81 cm) | 79.7" (202.5 cm) | 159.5" (405 cm) |

Luminous Intensity:

| Beam | 1m lux | 1m fc | 2.5m lux | 2.5m fc | 5m lux | 5m fc |
|------|--------|-------|----------|---------|--------|-------|
| 5° | 28,180 | 2,618 | 6,517 | 605.5 | 1,700 | 158 |
| 45° | 2,458 | 228.3 | 425 | 39.5 | 130 | 12.1 |