

eNode2 POE™



eNode2 POE™ is a compact 2-universe Ethernet-DMX node powered over Ethernet (POE), no external power supply or cord is needed. Supports Art-Net compatible DMX control systems utilizing a single RJ45 auto-switching 10/100Mbps Neutrik etherCON input and two multi-configuration 5pin Neutrik DMX data outputs. Features include DMX bilateral conversion support, a 4-button control panel, an OLED system menu display, 3 LED status indicators, compact and lightweight die-cast aluminum housing, and a mini omega bracket for easy clamp/truss mounting.



FEATURES

Compact 2-Universe Ethernet-DMX Node

POE (Power over Ethernet)

Auto Switching 10/100Mbps RJ45 etherCON Input

(2) Multi-Configuration 5pin DMX Data Outputs

DMX Bilateral Conversion Support

Compact and Lightweight

Die-Cast Aluminum Housing

Easy Clamp/Truss Mounting



ELATION | eNode2 POE™ | Product Specification Sheet

PRODUCT SPECIFICATIONS

CONTROL / CONNECTIONS

Manual and DMX Control
 Multiple DMX Channel Modes
 4 Button / 2 Rotary Dial Control Panel LCD Menu Display
 RDM (Remote Device Management)
 3pin/5pin DMX and powerCON In/Out

SIZE / WEIGHT

Length: 4.76" (121mm)
 Width: 4.68" (119mm)
 Vertical Height: 1.69" (43mm)
 Weight: 0.88 lbs. (0.4g)

ELECTRICAL / THERMAL

AC 100-240V - 50/60Hz
 2.6W Max Power Consumption

INCLUDED ITEMS

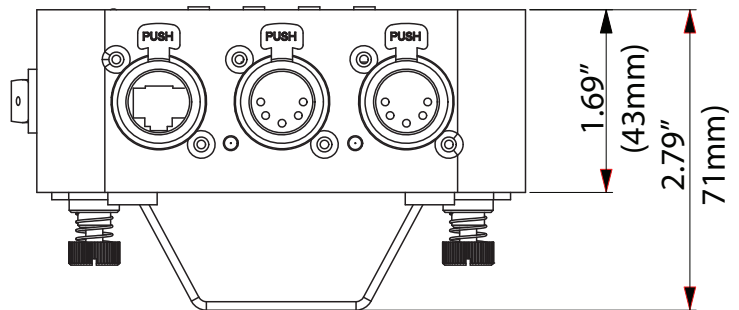
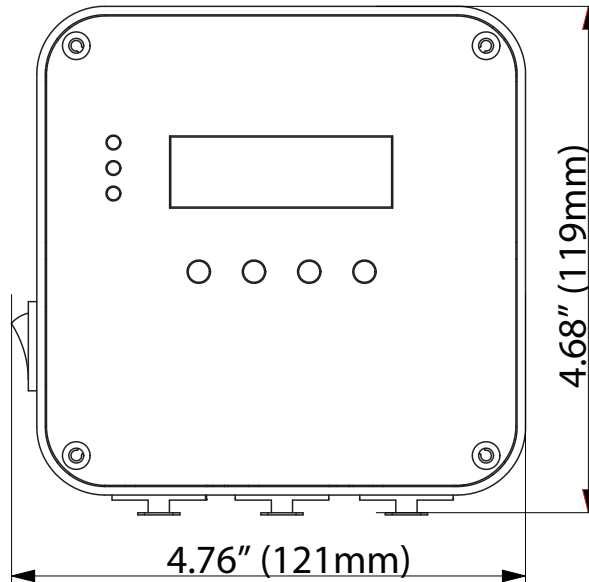
Mini Omega Bracket for Clamp/Truss Mounting



ORDERING INFORMATION

ENO435	eNode2 POE
NARROW CLAMP	Narrow PRO Style Clamp
AC5PDMX5PRO	5 ft. (1.5m) 5pin PRO DMX Cable (Additional cable lengths available)

DIMENSIONAL DIAGRAMS



Specifications subject to change without notice ©Elation Professional 12/18/17

Elation Professional USA | 6122 S. Eastern Ave. | Los Angeles, CA. 90040
 323-582-3322 | 323-832-9142 fax | www.elationlighting.com | info@elationlighting.com

Elation Professional B.V. | Junostraat 2 | 6468 EW Kerkrade, The Netherlands
 +31 45 546 85 66 | +31 45 546 85 96 fax | www.elationlighting.eu | info@elationlighting.eu