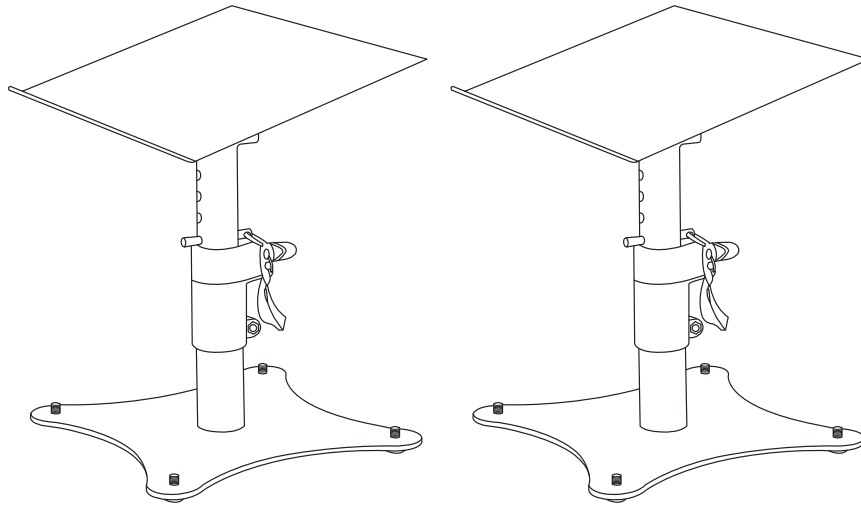


SMS4500 DESKTOP MONITOR STANDS

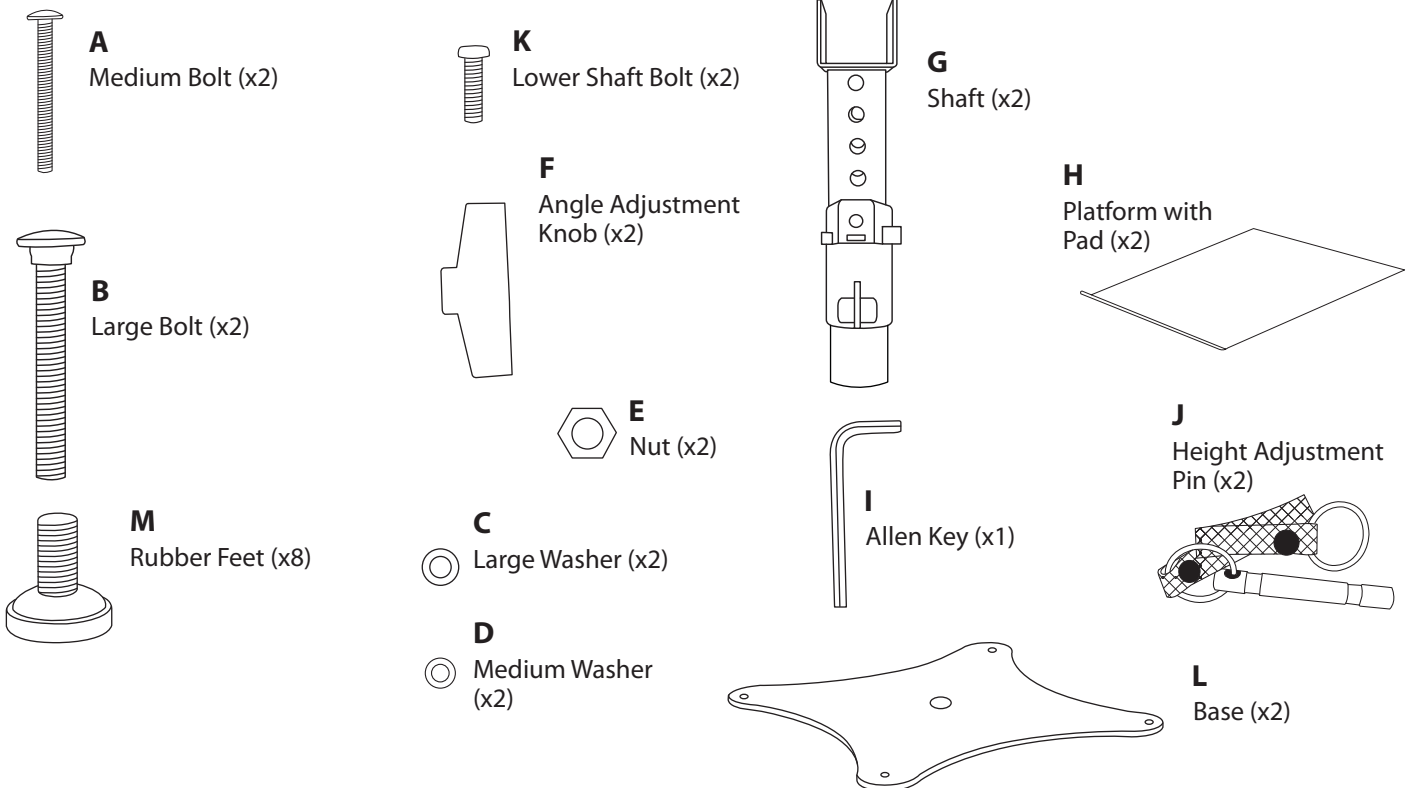
Congratulations on your purchase of the SMS4500 Desktop Monitor Stands! Please read the following instructions carefully.

We hope you enjoy your new purchase.



Components: _____

Drawings not to scale.



CAUTION

FAILURE TO OBSERVE PROPER ASSEMBLY INSTRUCTIONS, EXCEEDING THE WEIGHT CAPACITY OR FAILURE TO OBSERVE THE WARNINGS AS MENTIONED IN THIS INSERT MAY CAUSE STAND TO COLLAPSE, BODILY INJURY OR EQUIPMENT DAMAGE AND WILL VOID THE PRODUCT WARRANTY.

Assembly Instructions

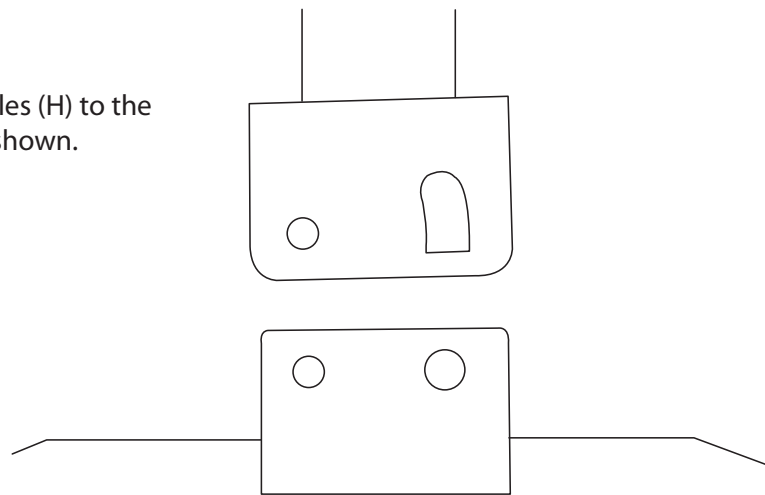
BEFORE YOU BEGIN: Remove all contents from the box and identify the parts using these diagrams.

Visit [On-Stage](#) for the most recently-updated instructions.

1. Remove bolts, washers, nut, and knobs (A,B,C,D, E, F) from clamp at upper end of shaft (G).

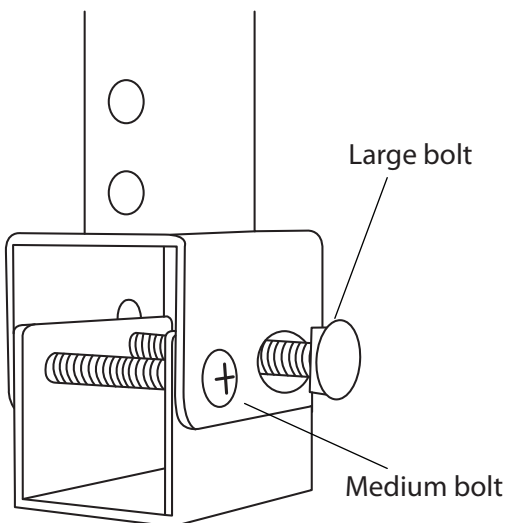
2. Insert the height adjustment pin (J) into the lowest position of the shaft (G) and tighten the shaft clutch knob to prevent movement.

3. Align the platform bracket holes (H) to the upper shaft bracket holes (G) as shown.

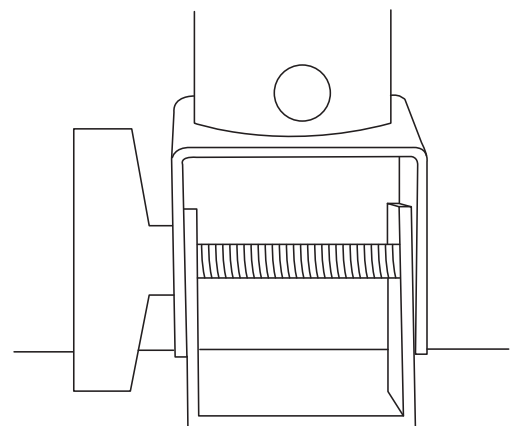


4. Now insert medium bolt (A) through the smaller holes and secure with washer (D) and nut (E).

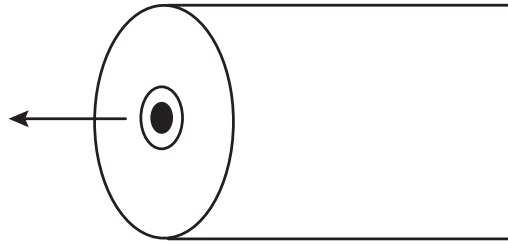
5. Insert large bolt (B) through the larger holes and secure with washer (C) and knob (F).



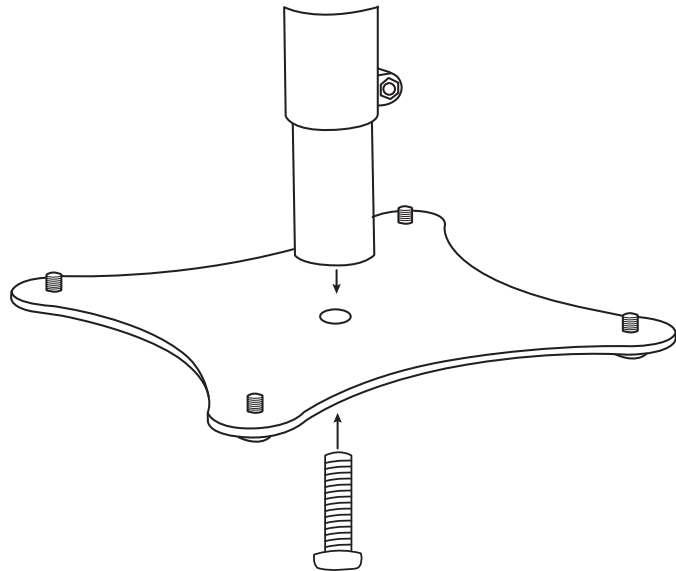
Square part of B needs to be inserted into the larger hole.



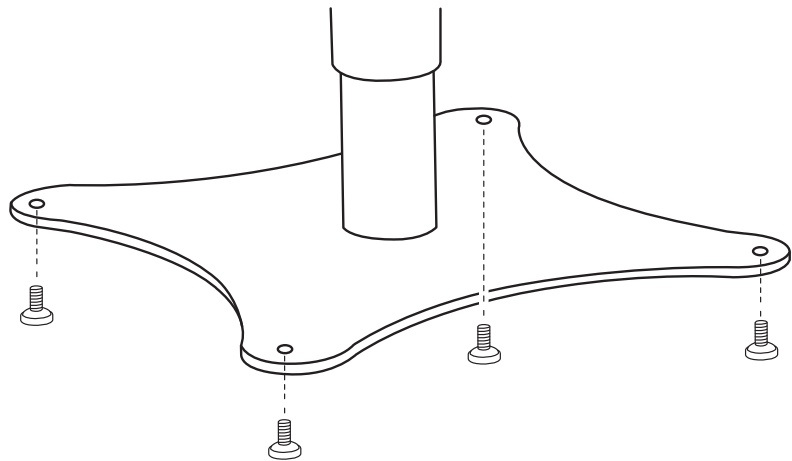
6. Remove the bolt (K) from the bottom of the shaft using the allen key (I).



7. Connect the base (L) onto the shaft with the indented bolt section facing the bolt and the center hole on the base lining up with the shaft hole (G). Insert the bolt (K) and tighten securely using the allen key (I).



8. Insert the rubber feet (M) through the four holes in the corners of the platform. (The feet should be threaded toward the shaft so the bases of the feet are on the underside of the base when in use.)



9. Turn the unit upright.

10. Adjust to desired height by loosening shaft clutch knob (G) and inserting pin (J) into desired height position hole. Lower shaft so the pin rests on the shaft clutch, and tighten shaft clutch knob.

11. Adjust the platform to desired tilt by turning the angle knob adjustment (F) underneath the platform.