



# Quam

VANDAL RESISTANT

## CIB2/MB

CALL-IN SWITCH

Single-Gang, Stainless Steel Faceplate  
Mushroom Button

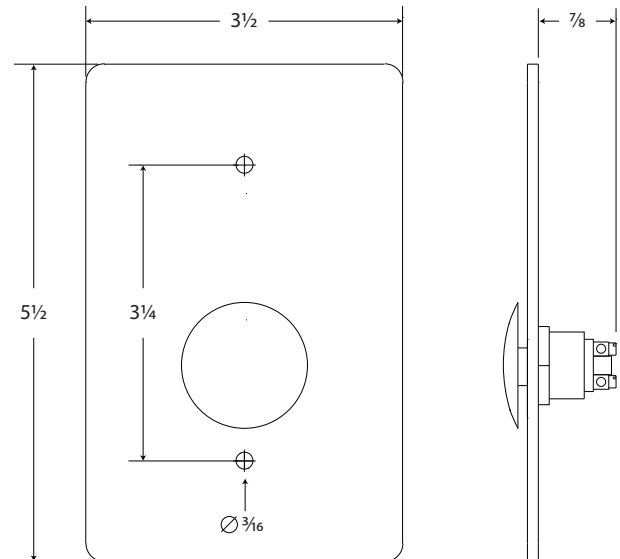
### GENERAL DESCRIPTION

The CIB2/MB is a single-gang, vandal resistant call-in switch with a momentary (normally open) push-to-call mushroom button on a 12 gauge, brushed stainless steel faceplate. Tamper resistant, 6-32 x 1" 'pin-in-torx' hardware included. Switch connections are screw-down, pinch connectors.

### INTENDED USE - Indoor and Outdoor Environment

### ADDITIONAL OPTIONS - Contact the Factory for details

Custom Engraving & Fill | Contact the Factory for details and lead times.



Recommended construction sequences, installation instructions, and A&E Specifications are available in various formats in the QUAM Architects' and Engineers' Resources section on the web at: [www.QuamSpeakers.com](http://www.QuamSpeakers.com)

© 2013 Quam-Nichols Company reserves the right to make changes and/or improvements to its products at any time and without notice.



QUAM-NICHOLS COMPANY, INC.  
234 East Marquette Rd.  
Chicago, IL. 60637  
Tel: 1-800-NEED-NOW (800-633-3669)  
Fax: 1-888-NEED-NOW (888-633-3669)  
e-mail: [NeedNow@QNC.com](mailto:NeedNow@QNC.com)  
[www.QuamSpeakers.com](http://www.QuamSpeakers.com)