

# PE400 Power Extender



## DESCRIPTION

Leviton's PE400 Power Extender allows a dimming zone's power handling capacity to be extended to a full 1000W/VA on 120V input power. It allows a dimmer to dim or switch a fully loaded circuit of electronic low voltage and incandescent loads only.

## FEATURES

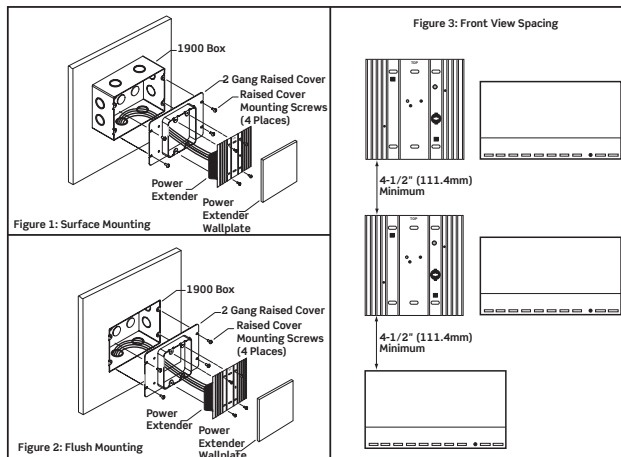
- Works with electronic low voltage and incandescent
- Emulates the characteristics of the dimmer that it is connected to in terms of dimming range and resolution
- Works with any Dimensions® Multi-Zone Controller/Dimmer to extend load capacity for electronic low voltage loads on any zone

## MOUNTING

All Power Extenders must have 4-1/2" spacing above and below each unit for proper ventilation and heat dissipation (refer to figure 3). Line voltage wiring should be at least 6ft away from sound or electronic equipment wiring. Mount Power Extender to wallbox with TOP facing up as follows: For wallbox mounting (refer to figure 1), for flush mounting (refer to figure 2) and for panel mounting (not shown), proceed as follows:

- The enclosure must be in accordance with all local and national electrical codes
- Leviton **does not** recommend using a door to enclose the front of a panel, this restricts airflow to the controls
- If mounting multiple controls in an enclosure:
  - Ambient temperature within an enclosure **must remain** between 32-104°F (0-40°C)
  - If not mounting in a metal enclosure, all units **MUST** be mounted in a wall box
- To improve heat dissipation of controls, remove the faceplate from the unit

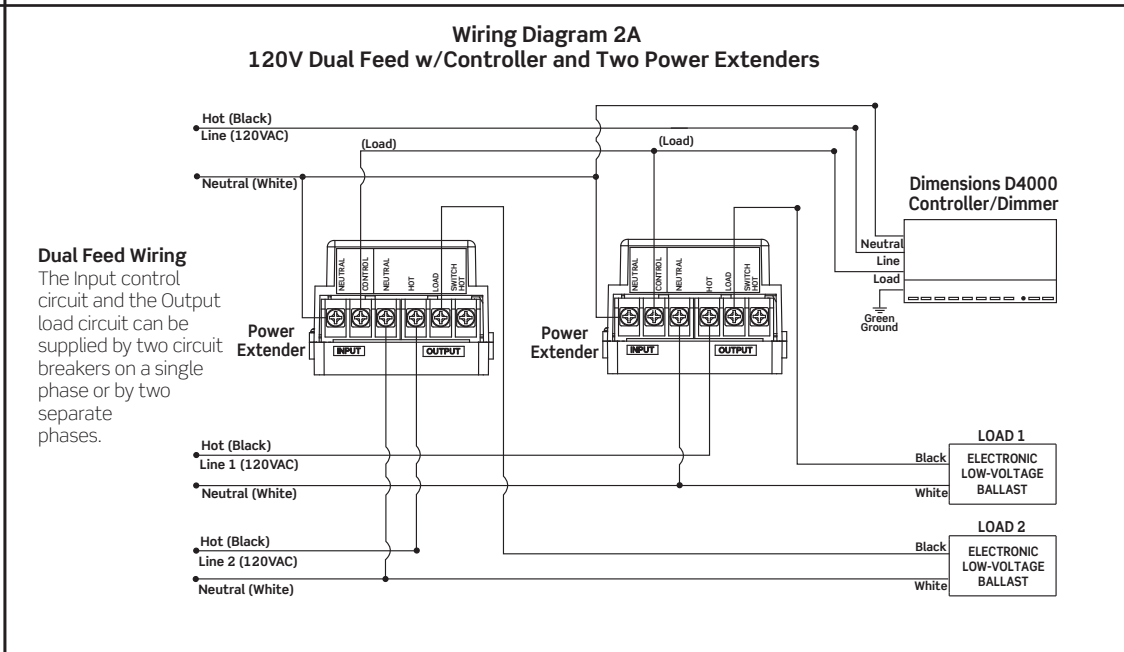
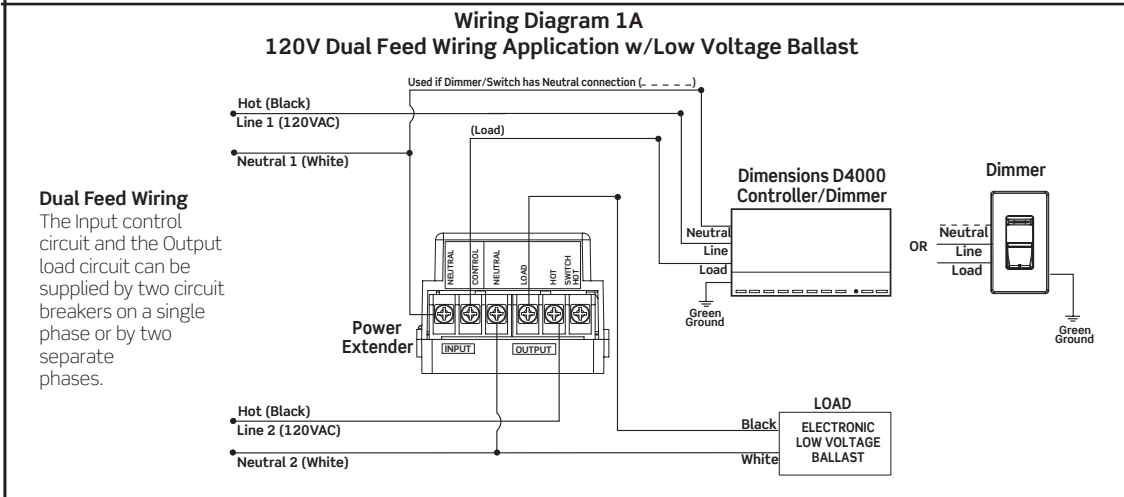
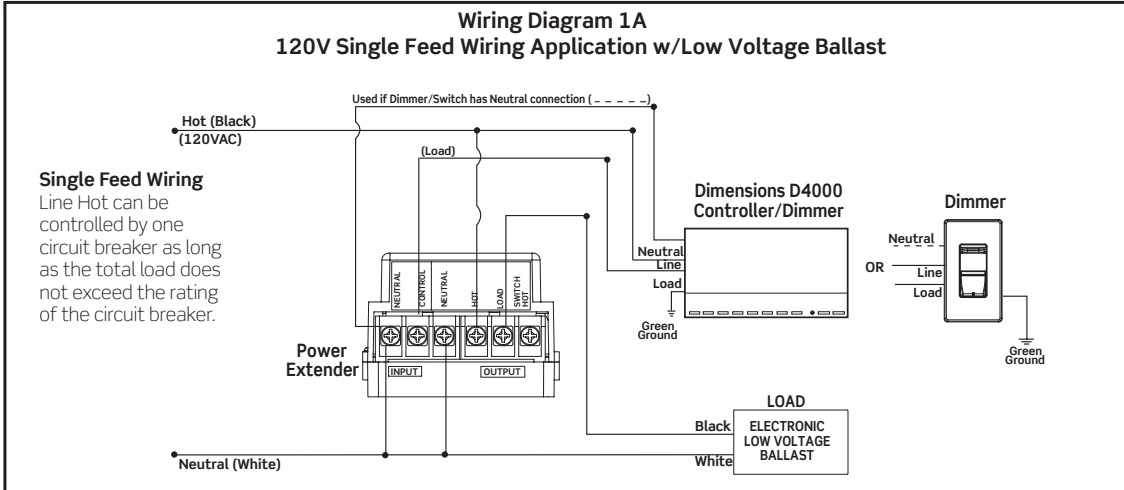
## MOUNTING DIAGRAMS



# PRODUCT DATA

## WIRING DIAGRAMS

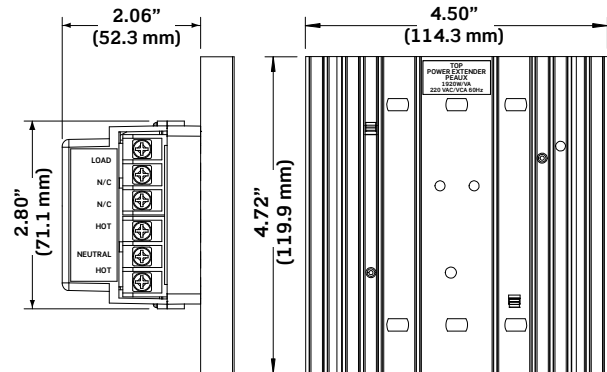
PE400 Power Extender



### COMPATIBILITY

- For box-mounted dimmers: use 120V, 600W magnetic low voltage versions
- For dimmers that include a neutral wire (such as some scene-capable dimmers): the dimmer neutral wire must be connected
- For architectural systems: works with all product families
- Compatible with Dimensions Multi-Zone Controllers

### DIMENSIONS



### SPECIFICATIONS

ELECTRICAL	
Input Voltage	120V, 50/60 Hz
Load Rating	500VA LED, 1000W/VA Incandescent
Load Output Power	Phase independent of control device
Dimmer Input	120V 50/60 Hz
ENVIRONMENTAL	
Operating Temperature Range	32-104°F (0-40°C)
Storage Temperature Range	14-185°F (-10-85°C)
Relative Humidity	20-90% non-condensing
PHYSICAL	
Size	4.72"L x 4.5"W x 0.5"H (120mm x 114mm x 12.7mm)
Color	Aluminium clear anodized extruded heat sink with snap-on molded white cover
OTHER	
Listings	UL listed CSA certified, FCC Part 15
Warranty	Limited 2-year warranty

### ORDERING INFORMATION

CAT. NO.	DESCRIPTION:
PE400-10W	Power Extender, 120V, 1000W/VA, Electronic Low Voltage

**Leviton Manufacturing Co., Inc. Energy Management, Controls and Automation**

20497 SW Teton Avenue, Tualatin, OR 97062 **tel** 800-736-6682 **fax** 503-404-5594 **tech line** (6:00AM-4:00PM PT Mon-Fri) 800-959-6004

**Leviton Manufacturing Co., Inc. Global Headquarters**

201 North Service Road, Melville, NY 11747-3138 **tel** 800-323-8920 **fax** 800-832-9538 **tech line** (8:30AM-7:00PM ET Mon-Fri) 800-824-3005

**Visit our Website at: [www.leviton.com/architecturalcontrols](http://www.leviton.com/architecturalcontrols)**

©2015 Leviton Manufacturing Co., Inc. All rights reserved. Subject to change without notice.