

## UHD Commercial TV with Essential Smart Function

LG's latest Public Display TV, the UV340C supports UHD/4K resolution to provide optimal viewing in diverse business environments. With enhanced management functions including WOL (Wake On LAN), SNMP (Simple Network Management Protocol), and SuperSign™ Link, managers can increase management efficiency while the edge-lit LED display and UHD picture quality improve the digital viewing experience.



### UV340C

- Ultra HD
- <sup>NEW</sup> WOL and SNMP
- <sup>NEW</sup> Crestron Connected® Certified Display
- <sup>NEW</sup> DPM (Display Power Management)

#### screen size

- 43" (42.5" Diagonal),
- 49" (48.5" Diagonal),
- 55" (54.8" Diagonal),
- 65" (64.6" Diagonal),
- 75" (74.6" Diagonal)



### Ultra HD TV

#### 4K Upscaler

Enjoy Full HD content in Ultra HD quality. The 4K Upscaler automatically upgrades Full HD content to Ultra HD through the six steps of the upscaling processes.



### Signage Dedicated Features

#### DPM (Display Power Management)

From now on, you can configure the DPM (Display Power Management) function by setting the function to on. When there is no signal, the TVs enters to DPM mode to manage power efficiently.



#### Crestron Connected® Certified Display

LG offers a host of commercial displays that are Crestron connected certified for seamless integration and automated control.

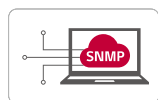


### Features



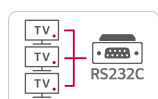
#### WOL (Wake on LAN)

WOL (Wake on LAN) helps you remotely turn on TVs over the internet. Connect TVs and a PC in the same network, and send Magic Packet program to the MAC addresses of registered TVs. Then, it will wake up the TVs via LAN port.



#### SNMP

SNMP (Simple Network Management Protocol) ensures convenient network management for SI and business managers.



#### RS-232C Control

Via the TV's RS-232C port, you can remotely control power and volume settings simultaneously.



#### Public Display Mode

From channel selection to volume level, you can control the TV settings in business areas. Public Display Mode also enables you to restore default settings, as required, on the TVs.



#### Self Diagnostics via USB

Enables service engineers to analyze the data and identify technical issues quickly and easily through a USB memory device.



#### USB Cloning

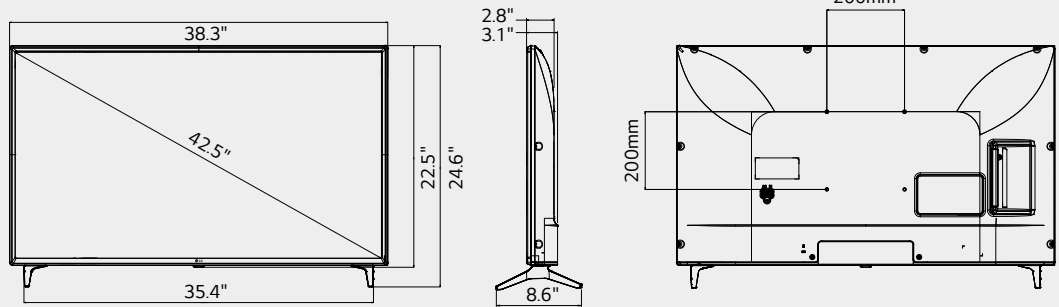
Clone all Public Display with astonishing speed and ease. The USB Cloning feature allows you to simply copy the TV settings to all TVs using a USB memory device.

# UHD Commercial TV with Essential Smart Function

## Dimensions

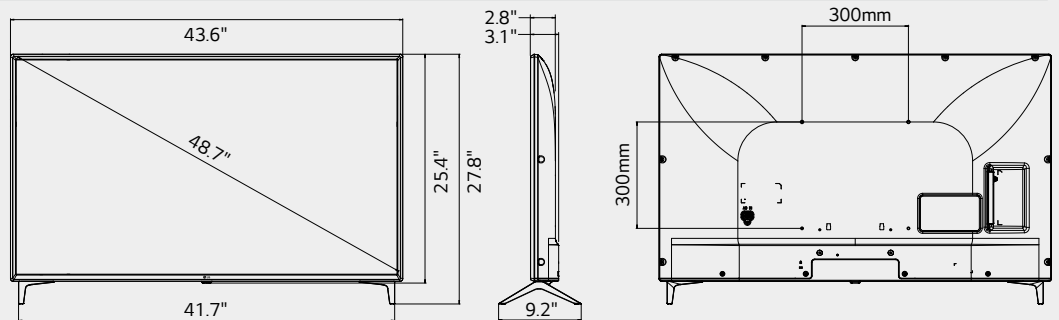
**43"**

38.3" x 24.6" x 8.6" /  
20.5lb



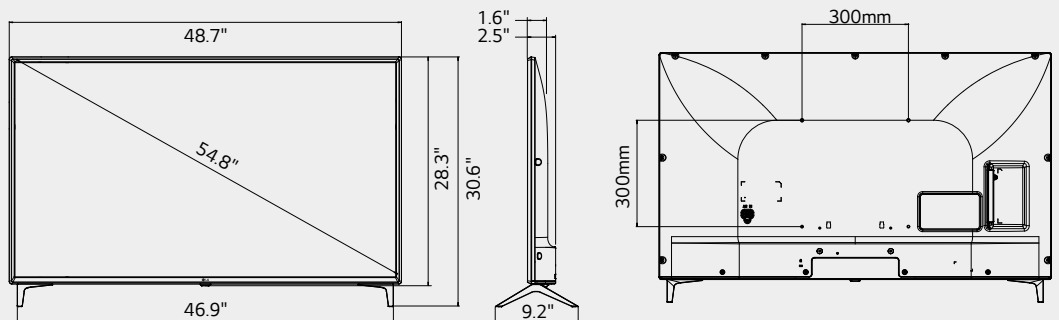
**49"**

43.6" x 27.8" x 9.2" /  
25.4lb



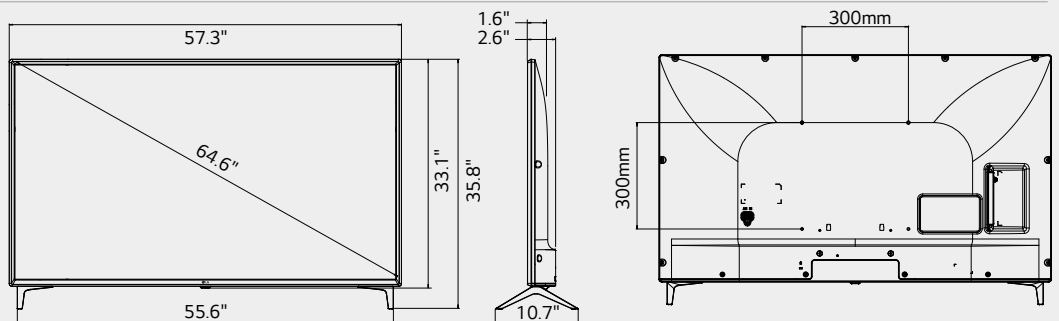
**55"**

48.7" x 30.6" x 9.2" /  
35.7lb



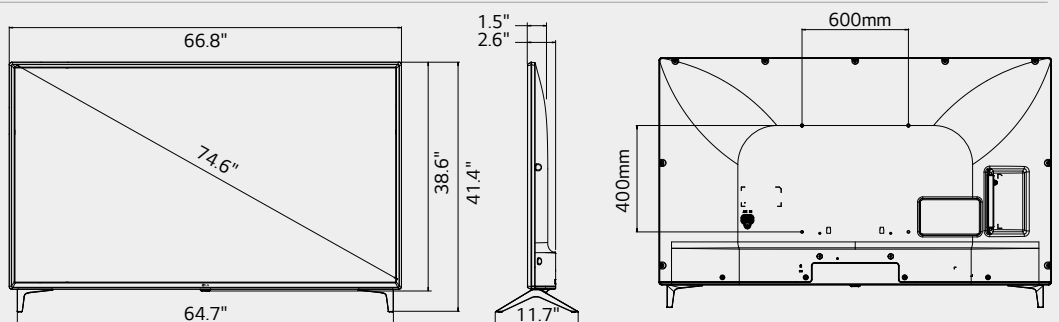
**65"**

57.3" x 35.8" x 10.7" /  
58.2lb



**75"**

66.8" x 41.4" x 11.7" /  
92.6lb

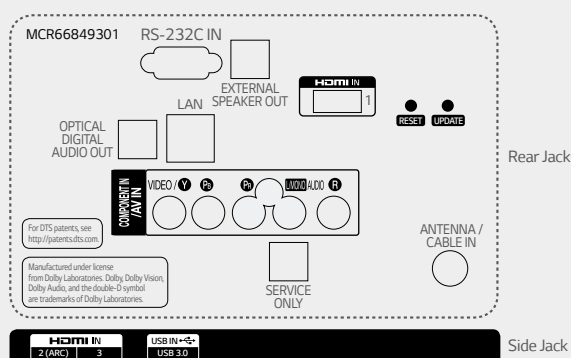


# UHD Commercial TV with Essential Smart Function

## Specifications

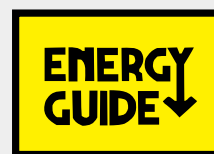
		43	49	55	65	75	
DISPLAY	Diagonal Size	42.5"	48.7"	54.8"	64.6"	74.6"	
	Type	Direct LED			Edge LED		
	Resolution	3,840 x 2,160 (4K UHD)					
	Brightness	400cd/m <sup>2</sup>		500cd/m <sup>2</sup>		400cd/m <sup>2</sup>	
	Dynamic Contrast Ratio	1,000,000:1					
	Static (Panel) Contrast Ratio	1,200:1					
	Viewing Angle Degree	178° / 178°					
	Response Time (G to G)	8					
BROADCASTING SYSTEM	Frame Rate	T120					
	Analog	NTSC					
VIDEO	Digital	ATSC / VSB / Clear QAM					
	XD Engine	•					
	Real Cinema 24p (3:3 Pull down)	•					
AUDIO	Aspect Ratio	6 modes (16:9, Original, 4:3, Vertical Zoom, All-Direction Zoom, Just Scan)					
	Audio Output / Speaker System	10W + 10W / 2.0 ch					
	Sound Mode	6 modes (Standard, Cinema, Clear Voice III, Sports, Music, Game)					
	Clear Voice	•					
GENERAL FEATURES	Installation	USB Cloning					
	Management	WOL, SNMP, Self Diagnostics via USB, Multi IR Code, HTNG/HDMI-CEC* *HDMI-CEC : Compatibility can differ by equipment.					
	USB	Moving Picture Playback (.asf, .wmv, .avi, .mp4, .m4v, .mov, .3gp, .3g2, .mkv, .mpg, .mpeg, .dat, etc.), Picture (.jpeg, .jpg, .jpe, BMP, PNG), Audio Codec (.mp3, .wav, .OGG, .WMA, .flac)					
	Setting Option	Auto Off / Sleep Timer, Smart Energy Saving, Motion Eye Care					
HOSPITALITY FEATURES	PDM (Public Display Mode), Lock Mode, Welcome Screen (Splash Image) / Video, Insert Image, External Speaker Out, RJP Compatibility, Crestron Connected® Certification, DPM (Display Power Management) mode, Time Scheduler						
INTERFACE	Side	HDMI In (2), USB 2.0					
	Rear	RF In, AV In (Sharing with Component In), Component In + Video, Optical Digital Audio Out, HDMI In, RS-232C In, RJ45 (SNMP), External Speaker Out					
DIMENSION	Bezel Width (L / R, U, B) : on bezel based (mm)	10, 10, 15.2	8, 8, 8, 13.8	9, 9, 13.8	14.7, 14.7, 14.7		
	Bezel Width (L / R, U, B) : off bezel based (mm)	8.5, 8.5, 13.7	6.8, 6.8, 11.3	7, 7, 12.3	12.7, 12.7, 12.7		
	Vesa (mm)	200 x 200	300 x 300			600 x 400	
	WxHxD / weight (without stand)	38.3" x 22.5" x 2.8" / 20.3lb	43.6" x 25.4" x 2.8" / 24.9lb	48.7" x 28.3" x 1.6" / 35.3lb	57.3" x 33.1" x 1.6" / 57.3lb	66.8" x 38.6" x 1.5" / 91.1lb	
	WxHxD / weight (with stand)	38.3" x 24.6" x 8.6" / 20.5lb	43.6" x 27.8" x 9.2" / 25.4lb	48.7" x 30.6" x 9.2" / 35.7lb	57.3" x 35.8" x 10.7" / 58.2lb	66.8" x 41.4" x 11.7" / 92.6lb	
WxHxD / weight (Carton)	41.7" x 26.0" x 8.6" / 24.7lb	47.0" x 30.3" x 6.2" / 30.0lb	53.5" x 32.9" x 6.0" / 45.0lb	63.0" x 38.2" x 6.9" / 72.3lb	72.4" x 46.0" x 9.1" / 116.8lb		
POWER	Voltage, Hz	100-240V, 50 / 60 Hz					
	Typical (Watts)	46.5	54.5	59.2	68.0	86.8	
	Stand-by (Watts)	0.5 ↓					
STANDARD APPROVAL	Safety	UL					
	Environment	FCC					
	Etc.	RoHS, UL, NOM, ENERGY STAR® Qualified					
UPC	719192611771	719192611764	719192611757	719192611740	719192611733		

## Connectivity



## Commercial Grade Stand

The estimated annual energy cost determined in accordance with 16 CFR Part 305.5 for model 43UV340C, 49UV340C, 55UV340C, 65UV340C, and 75UV340C are \$10, \$12, \$13, \$15, and \$19 respectively.



"Your energy cost depends on your utility rates and use.

The estimated cost is based on 12 cents per kWh and 5 hours of use per day. For more information, visit [www.ftc.gov/energy/](http://www.ftc.gov/energy/)"

FTC Television labeling rule (18 CFR Part 305, as added by 76 Fed. Reg. 1038 (Jan 6, 2011)).



Download LG Commercial Display Mobile App



Learn more [www.LG.com/us/commercial](http://www.LG.com/us/commercial)

**You**  [youtube.com/c/LGCommercialDisplay](https://youtube.com/c/LGCommercialDisplay)

All screen images are simulated. Dimension and weights are approximate.  
Design, features and specifications subject to change without notice.

© Copyright 2017 LG Electronics Inc. All Rights Reserved. Pro:Centric, the "LG" logo, XD Engine are registered trademarks or trademarks of LG Electronics Inc. Pro:Idiom is a registered trademark of Zenith Electronics LLC. All other trademarks or registered trademarks are the property of their respective owners.