

S7H-DK

QUICKSTART GUIDE

S7H 7" High Bright Monitor Deluxe Kit



What's Included

- 1 x S7H Monitor
 - 1 x Camera Shoe Mount
 - 1 x Neoprene Sleeve
 - 1 x Mini-XLR to P-TAP Cable
 - 2 x DV Battery Plate
 - 1 x DV Battery
 - 1 x DV Battery Charger
 - 1 x Standard to Mini HDMI Cable (1.5 ft)
 - 1 x Standard to Micro HDMI Cable (1.5 ft)
 - 1 x Slim SDI Cable (1.5 ft)
 - 1 x Soft Padded Case
- Sony "L" Series
 - Canon "900" Series
 - Canon "E6" Battery
 - Panasonic "D54" Series
 - Nikon EL15 Series

CHECKED BY

ikan

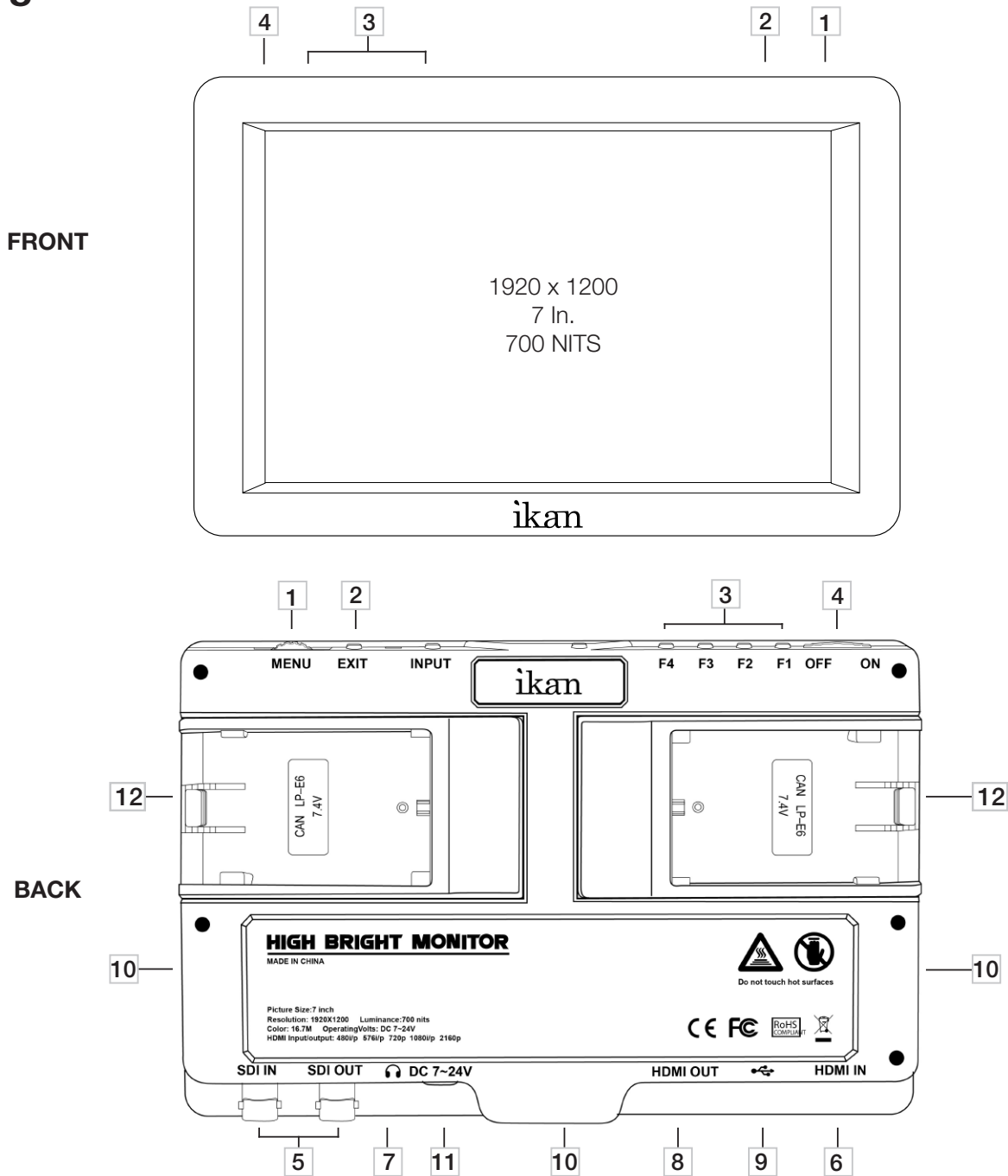
www.ikancorp.com

support@ikancorp.com

713.272.8822

© 2015 ikan Corporation. All rights Reserved

Getting Started

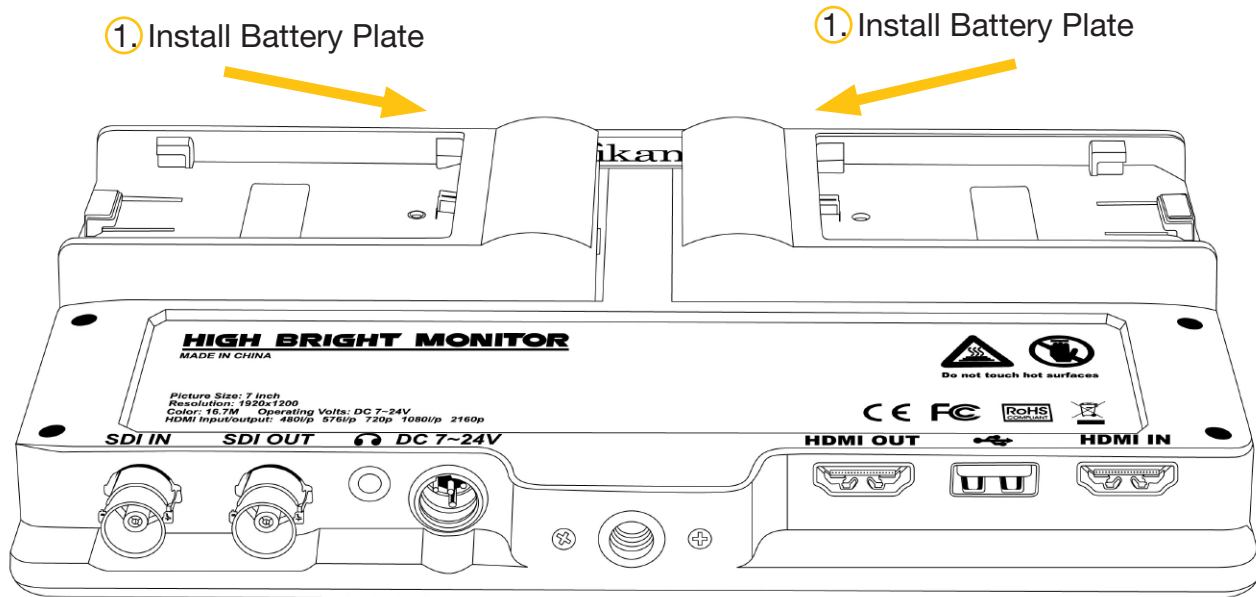


- | | |
|--|---|
| <p>1 Menu Button - Scroll Wheel
Used to enter and navigate the menu.</p> <p>2 Exit / Aspect
Used to exit the menu.</p> <p>3 Function Buttons
Functions can be selected in the menu</p> <p>4 Power Button
Power ON/OFF</p> <p>5 SDI Input/Output Terminal
SDI Input/Output</p> <p>6 HDMI Input Terminal</p> | <p>7 3.5mm Headphone Output</p> <p>8 HDMI Output Terminal</p> <p>9 USB Connector
Used for Software Updates</p> <p>10 1/4"-20 Threaded Insert</p> <p>11 DC 7-24V Power Terminal
Mini-XLR Connection</p> <p>12 DV Battery Plate Slot
Used for mounting DV Battery plate</p> |
|--|---|

Battery Plate Installation & Removal

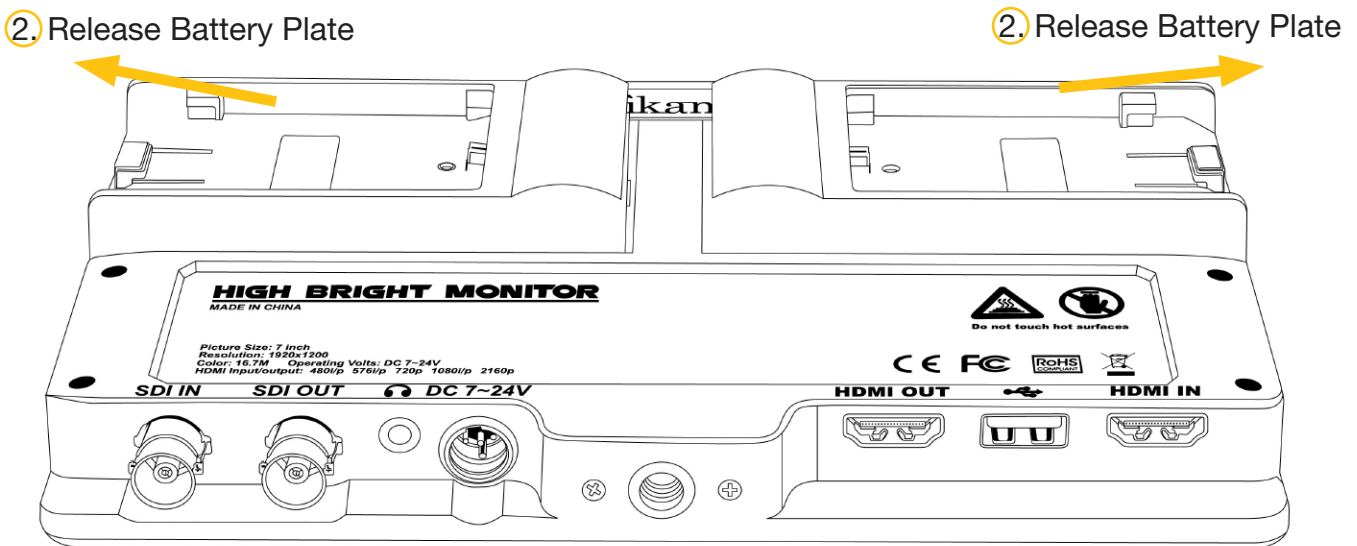
Installation

To Install battery plates line up holes under battery plate with tabs on battery plate slot. Then push towards center of the monitor.



Removal

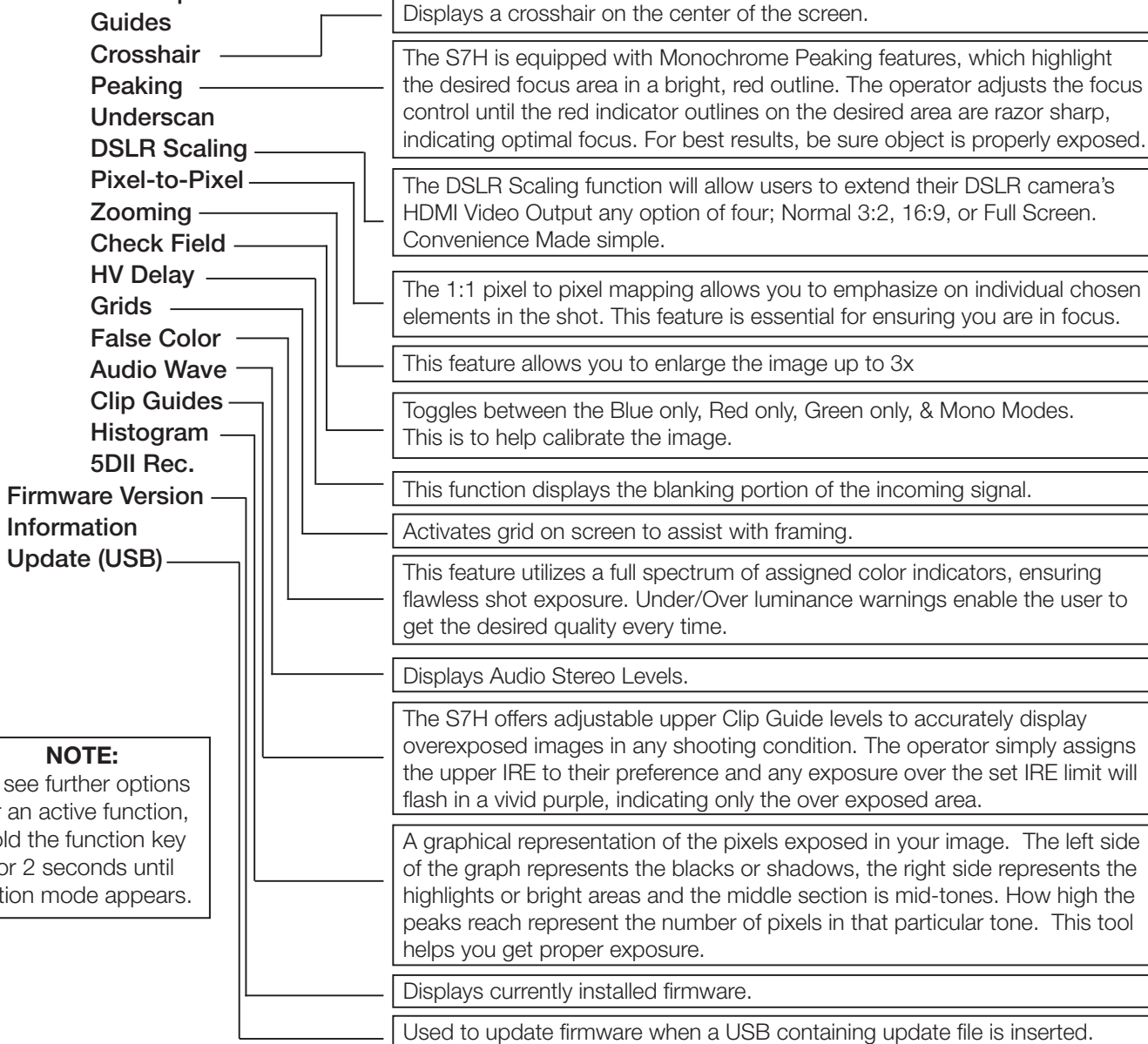
To Remove your battery plate, simply push battery plates away from center of the monitor.



Configuration of Setting Menus

- Guides** _____ Toggle between the following: 80%, 90%, 15:9, 4:3, 1.5:1, 2:1, 2.35:1
- Crosshair** _____ Activates Crosshair on center of screen.
- Grids** _____ Activates grid on the screen to assist with framing.
- Video Config** _____ Brightness: 0-100
 Contrast: 0-100
 Chroma: 0-100
 Sharpness: 0-100
 Tint: 0-100
- Color Temp** _____ 5600K, 6500K, 9300K, Manual
- Backlight** _____ Allows user to fine tune the intensity of the LCD Panel's backlight.
- Aspect** _____ Allows user to change the aspect ratio of the image.
- System Config** _____ OSD - **Language:** Choose between English & Chinese for OSD.
 OSD - **Duration:** Choose how long the menu stays active without activity.
 OSD - **Transparency:** Choose from low, medium, high, or off.
 MENU Setup - Allows 5 users to save menu settings.
 System Reset - Reset Settings to factory defaults.
- Flip Control** _____ Flip Image and/or Menu
 Low Battery Alarm - Warns the user when battery is low.

Function Set Up 1-8



NOTE:
 To see further options for an active function, hold the function key for 2 seconds until option mode appears.

Specifications

Aspect Ratio	16 x 10	Pixel Pitch	0.07875 x 0.07875 mm
Backlight	LED	Power Consumption	6W
Brightness	700cd/m2	Resolution	1920 x 1200
Build Material	Heavy Duty Plastic	Response Time	20ms
Color Depth	16.7 Million	Screen Size	7 In.
Color System	PAL/NTSC/SECAM (Auto-Detected)	Viewing Angle	178° horizontal / 178° vertical
Contrast Ratio	1200:1	Weight	0.5 lbs
Input Voltage	DC 7V-24V		
Inputs	HDMI, 3G-SDI		
Operating Temperature	0°C~50°C / 32°F~122°F		
Outputs	HDMI		

Supported Video Signals

HDMI	720x480i & 720x480p @ 59.94, 60 Hz
	720x576i @ 50 Hz
	1280x720p @ 23.97, 24, 25, 29.94, 30, 50, 59.94, 60 Hz
	1920x1080i @ 50, 59.94, 60 Hz
	1920x1080psf @ 24, 25, 29.97, 30 Hz
	1920x1080p @ 23.97, 24, 25, 29.94, 30, 50.94, 60 Hz
	3840x2160p @ 24, 25, 30 Hz

Optional Accessories

MOUNTS

MA207	7 In. Articulating Arm
MA211	11 In. Articulating Arm
MA211-R	11 In. Articulating Arm w/ Single Rod Mount

BATTERY PLATES

BP5-C	Canon 900 Battery Plate
BP5-E6	Canon LP-E6+ Battery Plate
BP5-P	Panasonic D54 Battery
BP5-S	Sony L Series Battery Plate
BP5-N	Nikon EN-EL15 Battery Plate
BP5-PG6	Panasonic G6 Battery Plate
BP5-SU	Sony BP-U Series Battery Plate

Learn More

More dynamic information at official website: www.ikancorp.com

Support

Contact email: support@ikancorp.com

CONDITIONS OF WARRANTY SERVICE

- Free service for one year from the day of purchase if the problem is caused by manufacturing errors.
- The components and maintenance service fee will be charged if the warranty period is expired.

Free Service will not be Provided in the Following Situations:(*Even if the product is still within the warranty period.)

- Damage caused by abuse or misuse, dismantling, or changes to the product not made by the company.
- Damage caused by natural disaster, abnormal voltage, and environmental factors, etc.