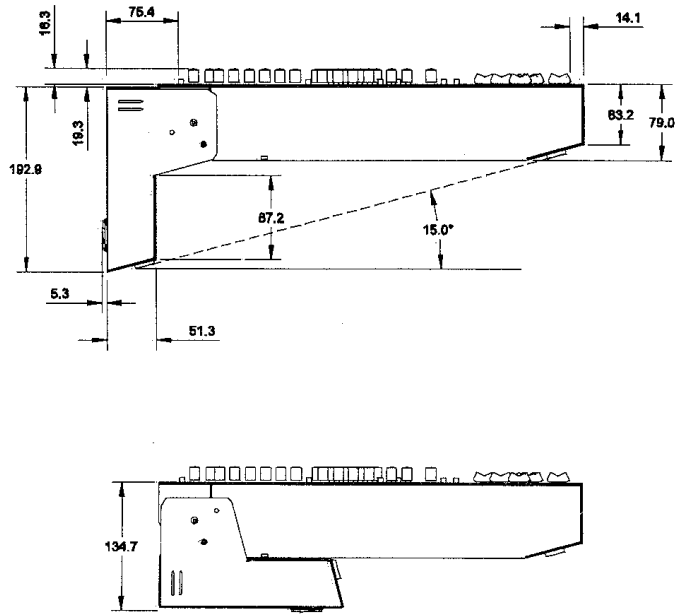
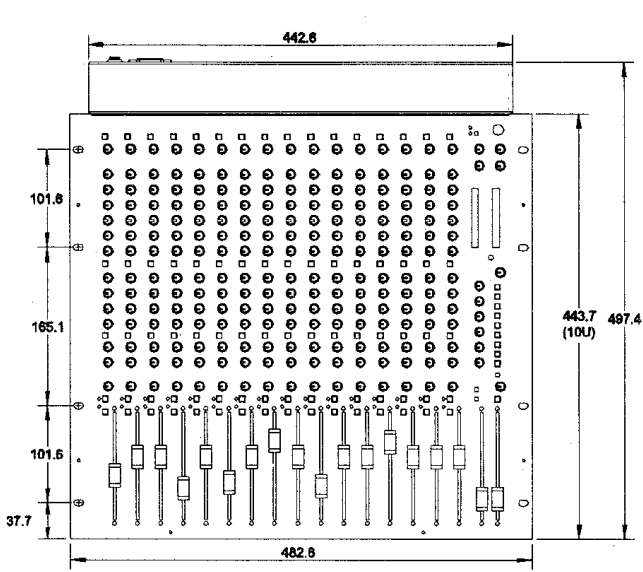


# DIMENSIONS

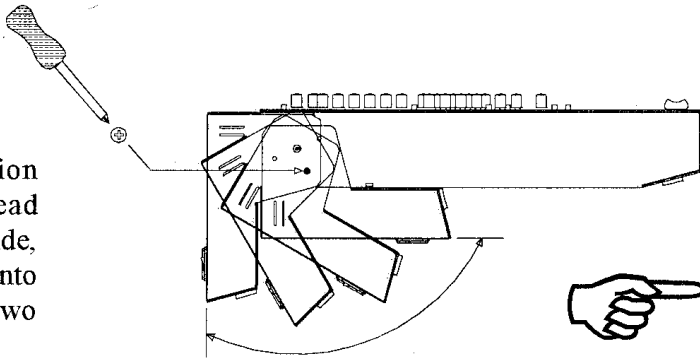
The diagrams below give the dimensions for flightcasing the console.



## INSTALLING THE CONSOLE

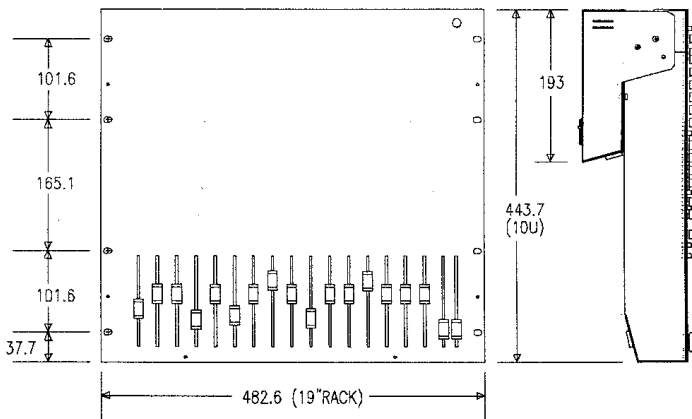
The *MixWizard Series* features the ALLEN & HEATH Quick Change Connector (QCC) system. The rear connector module may be hinged and locked into either of two positions: **Rear connectors** for desktop operation with the control panel sloped at a convenient 15 degrees, or **Underside connectors** for 19" rack mounting in a compact 10U space. The connector position can be easily changed at any time to fit your application.

To change the position remove the crosshead locking screw on each side, swing the connector pod into position, and refit the two screws.



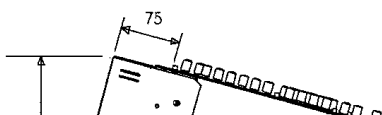
**Do not transport or carry the console with the locking screws removed.**

**Do not attempt to remove the connector pod from the console.**



### 19" Rack Mounting

Mount the console in the rack using 4x M6 bolts each side for maximum strength. We recommend you fit the bolts with plastic cup washers to protect the panel, and they look good... These should be available from the supplier of the rack unit or a good hardware store.



### Desktop Operation

The console is fitted with rubber feet to