

Saga 7" High Bright4K HDMI/3G-SDI Monitor



What's Included

- 1 x S7H Monitor
- 1 x Camera Shoe Mount
- 1 x Neoprene Sleeve
- 1 x Mini-XLR to P-TAP Cable
- 2 x Canon E6 Battery Plate

CHECKED BY

ikan

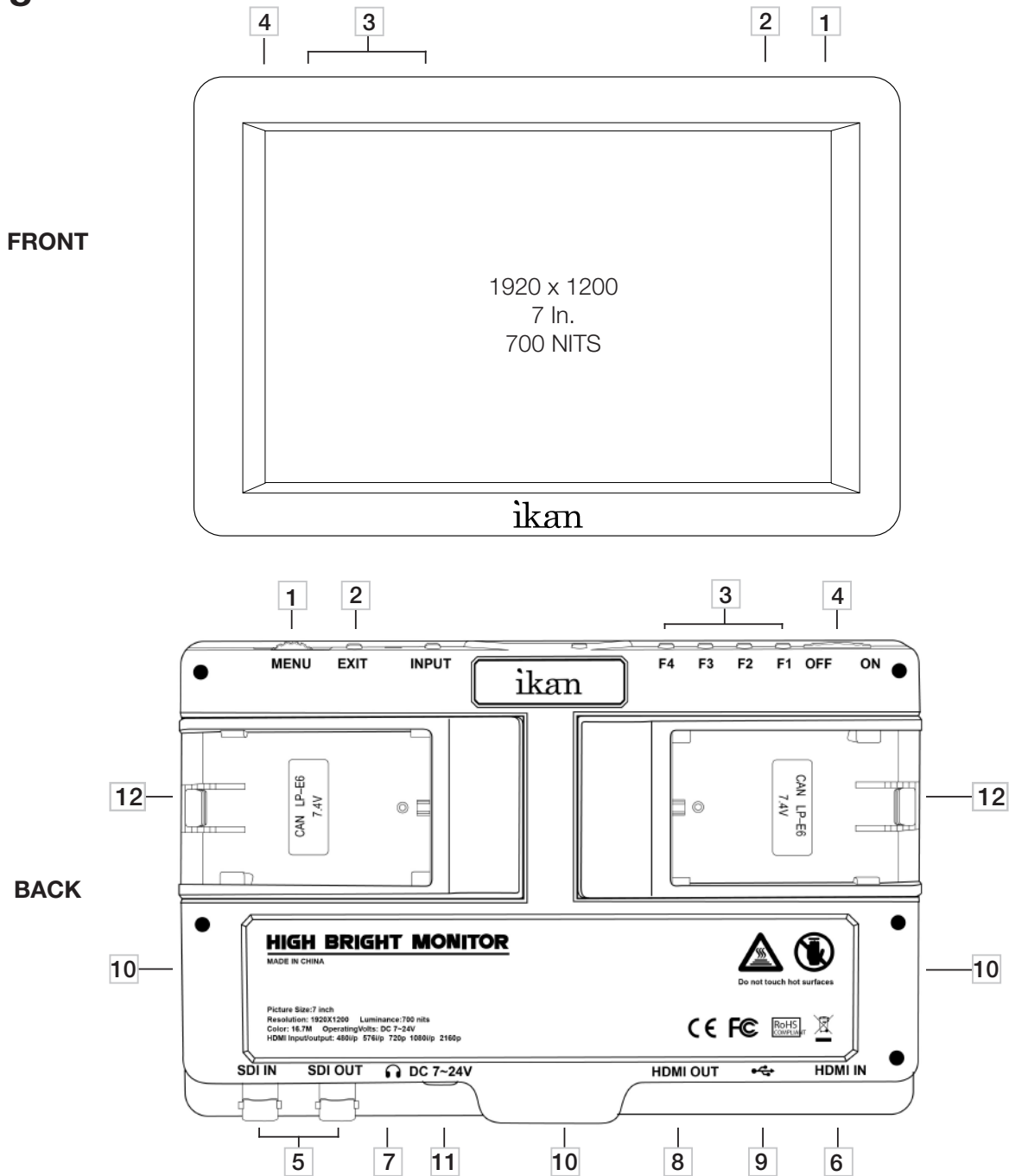
www.ikancorp.com

support@ikancorp.com

713.272.8822

© 2015 ikan Corporation. All rights Reserved

Getting Started

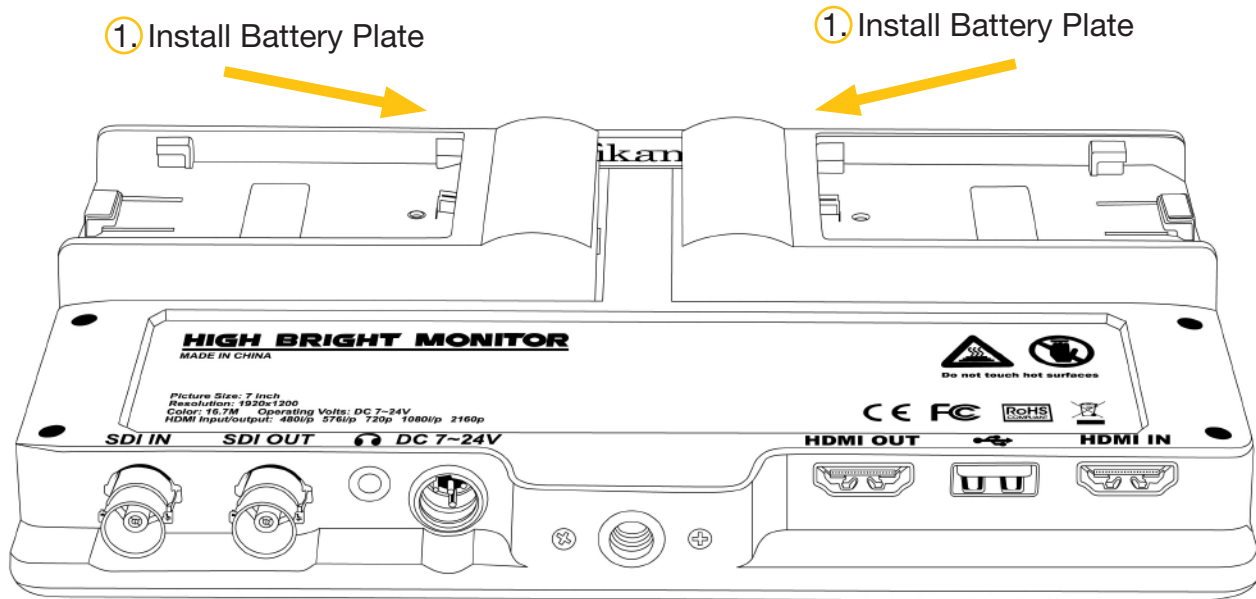


- | | |
|--|---|
| <p>1 Menu Button - Scroll Wheel
Used to enter and navigate the menu.</p> <p>2 Exit / Aspect
Used to exit the menu.</p> <p>3 Function Buttons
Functions can be selected in the menu</p> <p>4 Power Button
Power ON/OFF</p> <p>5 SDI Input/Output Terminal
SDI Input/Output</p> <p>6 HDMI Input Terminal</p> | <p>7 3.5mm Headphone Output</p> <p>8 HDMI Output Terminal</p> <p>9 USB Connector
Used for Software Updates</p> <p>10 1/4"-20 Threaded Insert</p> <p>11 DC 7-24V Power Terminal
Mini-XLR Connection</p> <p>12 DV Battery Plate Slot
Used for mounting DV Battery plate</p> |
|--|---|

Battery Plate Installation & Removal

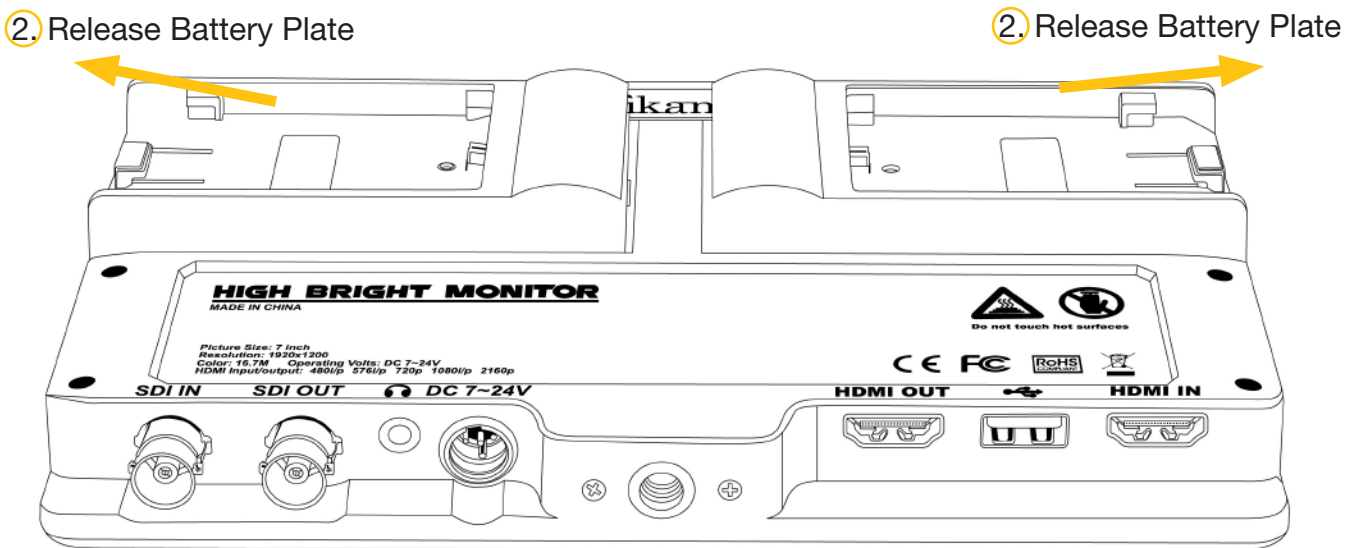
Installation

To Install battery plates line up holes under battery plate with tabs on battery plate slot. Then push towards center of the monitor.



Removal

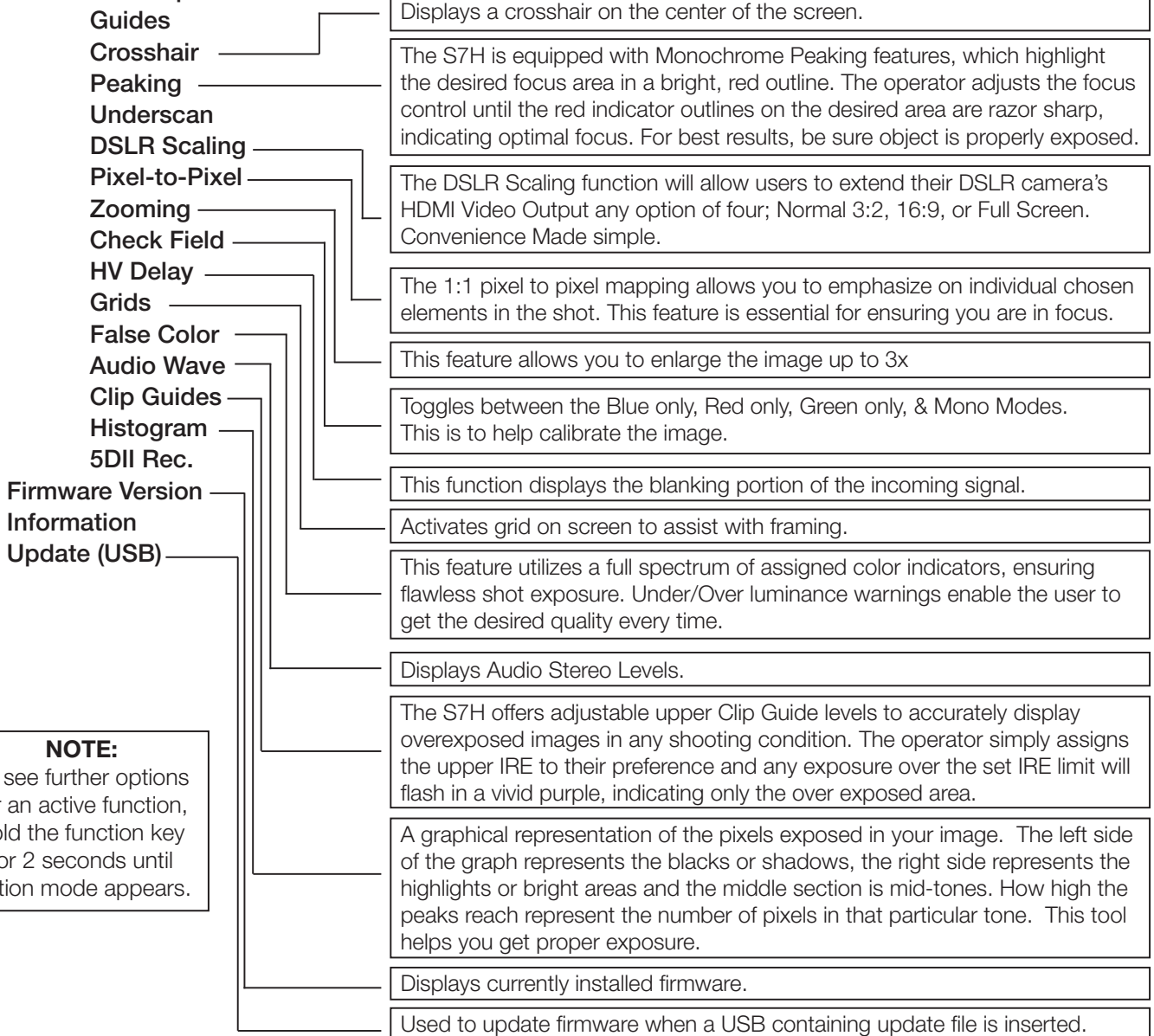
To Remove your battery plate, simply push battery plates away from center of the monitor.



Configuration of Setting Menus

- Guides** ————— Toggle between the following: 80%, 90%, 15:9, 4:3, 1.5:1, 2:1, 2.35:1
- Crosshair** ————— Activates Crosshair on center of screen.
- Grids** ————— Activates grid on the screen to assist with framing.
- Video Config** ————— Brightness: 0-100
Contrast: 0-100
Chroma: 0-100
Sharpness: 0-100
Tint: 0-100
- Color Temp** ————— 5600K, 6500K, 9300K, Manual
- Backlight** ————— Allows user to fine tune the intensity of the LCD Panel's backlight.
- Aspect** ————— Allows user to change the aspect ratio of the image.
- System Config** ————— OSD - **Language:** Choose between English & Chinese for OSD.
OSD - **Duration:** Choose how long the menu stays active without activity.
OSD - **Transparency:** Choose from low, medium, high, or off.
MENU Setup - Allows 5 users to save menu settings.
System Reset - Reset Settings to factory defaults.
- Flip Control** ————— Flip Image and/or Menu
Low Battery Alarm - Warns the user when battery is low.

Function Set Up 1-8



NOTE:
To see further options for an active function, hold the function key for 2 seconds until option mode appears.

Specifications

Aspect Ratio	16 x 10
Backlight	LED
Brightness	700cd/m2
Build Material	Heavy Duty Plastic
Color Depth	16.7 Million
Color System	PAL/NTSC/SECAM (Auto-Detected)
Contrast Ratio	1200:1
Input Voltage	DC 7V-24V
Inputs	HDMI, 3G-SDI
Operating Temperature	0°C~50°C / 32°F~122°F
Outputs	HDMI

Pixel Pitch	0.07875 x 0.07875 mm
Power Consumption	6W
Resolution	1920 x 1200
Response Time	20ms
Screen Size	7 In.
Viewing Angle	178° horizontal / 178° vertical
Weight	0.5 lbs

Supported Video Signals

HDMI	720x480i & 720x480p @ 59.94, 60 Hz
	720x576i @ 50 Hz
	1280x720p @ 23.97, 24, 25, 29.94, 30, 50, 59.94, 60 Hz
	1920x1080i @ 50, 59.94, 60 Hz
	1920x1080psf @ 24, 25, 29.97, 30 Hz
	1920x1080p @ 23.97, 24, 25, 29.94, 30, 50.94, 60 Hz
	3840x2160p @ 24, 25, 30 Hz

Optional Accessories

MOUNTS

MA207	7 In. Articulating Arm
MA211	11 In. Articulating Arm
MA211-R	11 In. Articulating Arm w/ Single Rod Mount

BATTERY PLATES

BP5-C	Canon 900 Battery Plate
BP5-E6	Canon LP-E6+ Battery Plate
BP5-P	Panasonic D54 Battery
BP5-S	Sony L Series Battery Plate
BP5-N	Nikon EN-EL15 Battery Plate
BP5-PG6	Panasonic G6 Battery Plate
BP5-SU	Sony BP-U Series Battery Plate

Learn More

More dynamic information at official website: www.ikancorp.com

Support

Contact email: support@ikancorp.com

CONDITIONS OF WARRANTY SERVICE

- Free service for one year from the day of purchase if the problem is caused by manufacturing errors.
- The components and maintenance service fee will be charged if the warranty period is expired.

Free Service will not be Provided in the Following Situations:(*Even if the product is still within the warranty period.)

- Damage caused by abuse or misuse, dismantling, or changes to the product not made by the company.
- Damage caused by natural disaster, abnormal voltage, and environmental factors, etc.