



Scan for full manual

VM-4DT Quick Start Guide

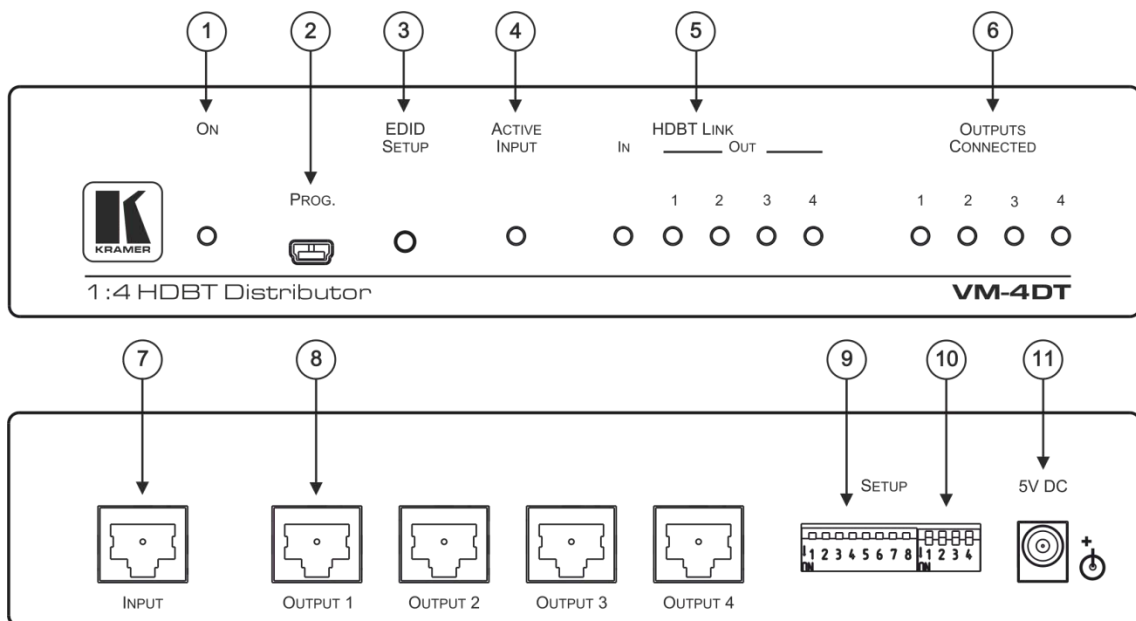
This guide helps you install and use your **VM-4DT** for the first time.

Go to www.kramerav.com/downloads/VM-4DT to download the latest user manual and check if firmware upgrades are available.

Step 1: Check what's in the box

- VM-4DT** 1:4 HDBT Distributor
- 1 Power supply (5V DC)
- 1 Quick start guide
- 4 Rubber feet

Step 2: Get to know your VM-4DT



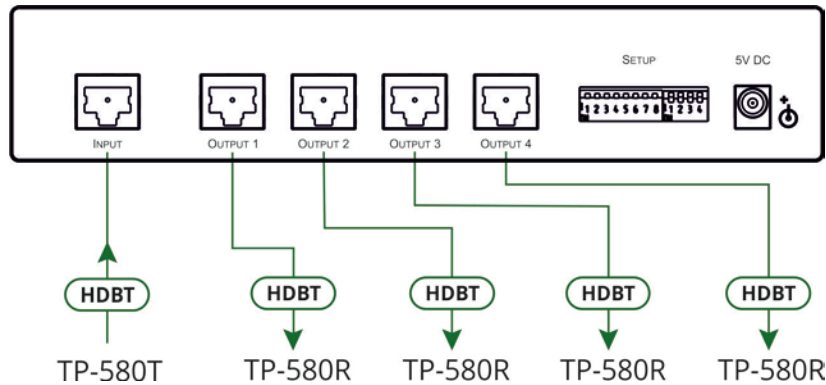
#	Feature	Function	
1	ON LED	Lights green when the unit receives power	
2	PROGRAM Mini USB Connector	Use to send RS-232 commands. Connect to a PC to perform firmware upgrades (via K-Upload) and work with the EDID Designer. K-Upload and EDID Designer can be downloaded from our Web site at: www.kramerav.com/manual/EDID Designer	
3	EDID SETUP Button	Press to capture the input EDID, force RGB mode or select the default EDID	
4	ACTIVE INPUT LED	Lights green when an HDMI signal is embedded on the HDBaseT input	
5	HDBT LINK LEDs	IN	Lights green when a link is established with the HDBaseT transmitter
		OUT	Lights green when a link is established with the HDBaseT receiver (from 1 to 4)
6	OUTPUTS CONNECTED LEDs	Lights green when an acceptor (sink) is detected on the HDBaseT receiver connected to the output (from 1 to 4)	
7	INPUT HDBT Connector	Connects to an HDBaseT source, for example TP-580T	
8	HDBT OUT Connectors	Connect to an HDBaseT acceptor (from 1 to 4), for example TP-580R	
9	SETUP 8-way DIP-switches	Use to set IR (DIP-switches 1-4) and RS-232 (DIP-switches 5-8) command behavior	
10	SETUP 4-way DIP-switch	For future use	
11	5V DC	+5V DC connector for powering the unit	

Step 3: Install the VM-4DT

To mount the **VM-4DT** in a rack, use an **RK-1** rack adapter. Alternatively, attach the rubber feet to the underside of the **VM-4DT** and place it on a table.

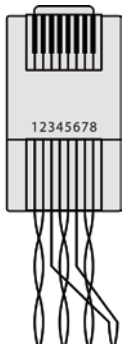
Step 4: Connect the inputs and outputs

Always switch OFF the power on each device before connecting it to your **VM-4DT**. For best results, we recommend that you always use Kramer high-performance cables to connect AV equipment to the **VM-4DT**.



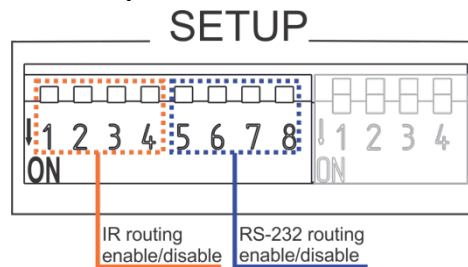
RJ-45 Pinout:

For HDBaseT connectors:



PIN EIA /TIA 568B	
PIN	Wire Color
1	Orange / White
2	Orange
3	Green / White
4	Blue
5	Blue / White
6	Green
7	Brown / White

DIP-Switch Setup:



Note: By default, all DIP-switches are set to OFF (up).

Out #	IR Routing is enabled when:	RS-232 Routing is enabled when:
OUT 1	DIP 1 – OFF (up)	DIP 5 – OFF (up)
OUT 2	DIP 2 – OFF (up)	DIP 6 – OFF (up)
OUT 3	DIP 3 – OFF (up)	DIP 7 – OFF (up)
OUT 4	DIP 4 – OFF (up)	DIP 8 – OFF (up)

Step 5: Connect the power

Connect the power adapter to the **VM-4DT** and plug the adapter into the mains electricity.

Safety Instructions



- Caution:** There are no operator serviceable parts inside the unit.
- Warning:** Use only the Kramer Electronics power supply that is provided with the unit.
- Warning:** Disconnect the power and unplug the unit from the wall before installing. See www.KramerAV.com for updated safety information.

Step 6: Acquire the EDID

To acquire an EDID, press the **EDID SETUP** button as follows:

1. Press the EDID SETUP button once.
The OUTPUTS CONNECTED LEDs flash to indicate the current EDID used: 1, 2, 3, 4, or all if the default EDID is currently used.
2. Press the EDID SETUP button again to enter the EDID read mode and then press repeatedly to cycle through the EDID source options until the desired EDID source is reached: OUT 1 -> OUT 2 -> OUT 3 -> OUT 4 -> all LEDs flash (for a default EDID).
3. Wait a few seconds for the **VM-4DT** to read the EDID.
When complete, all LEDs display the present output connection status.