

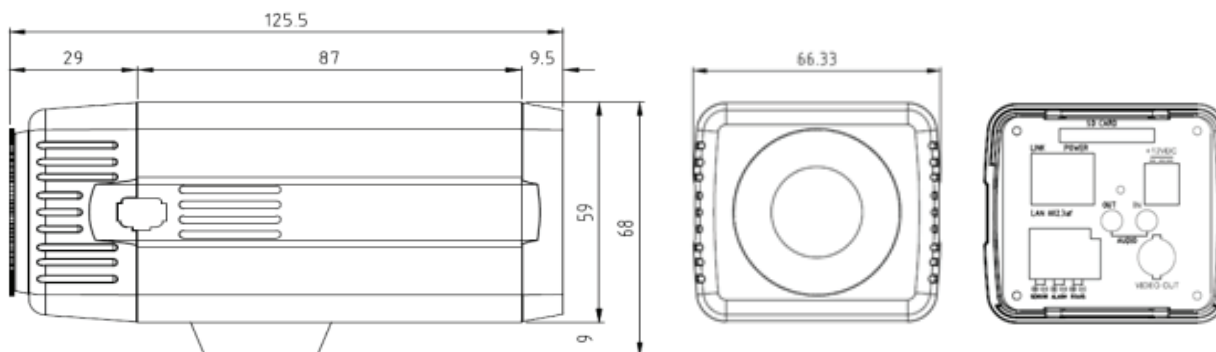
1080p60, Full HD IP Box Camera

FEATURES

- 60FPS @ 1920 x 1080
- P-Iris (Optional)
- True WDR
- Dual Power (DC/PoE)
- Quadruple Streaming
- ONVIF, PSIA Compliant



DIMENSIONS



SPECIFICATIONS

Camera	Image sensor	1/2.8" Progressive scan CMOS
	Lens type	Auto DC iris, P-Iris (option)
	Lens mount	C/CS mount
	Zoom	Lens dependent
	Focal length	Lens dependent
	Maximum aperture ratio	Lens dependent
	Angle of view	Lens dependent
	Minimum illumination	0.07lx (Color) ~ 0.001lx (B/W) @F1.2 with 50IRE
	Electronic shutter speed	p30: 1/30 ~ 1/50,000sec, p60: 1/60 ~ 1/50,000sec
	Privacy masking	8 regions (polycon windows)
	Flip mode	Horizontal, Vertical
	Image enhancement	AGC, AE, AWB, TDN, 2D/3DNR, DSS, True WDR, Defog, DIS, DPC, LSC
	IR LED	N/A
Video	Compression	H.264, MJPEG
	Frame rate	Max 60fps @ 1920x1080
	Bitrate	Primary: 32Kbps ~ 16Mbps, Secondary x3: 32Kbps ~ 4Mbps
	Resolution	352 x 240 ~ 1920 x 1080
	Streaming	Primary: H.264, Secondary x 3: H.264/MJPEG
	Burn-in OSD	Multi-lingual
Output	CVBS or 3GSDI	

1080p60, Full HD IP Box Camera

SPECIFICATIONS

Audio	Compression	G.711 / AAC
	Sampling rate	G.711: 8 KHz, AAC: 32 kHz / 44.1 kHz / 48 kHz
	Bitrate	G.711: 64Kbps, AAC: 64Kbps/128Kbps
	Streaming	G.711: Full-duplex, AAC: Half-duplex
	Input / Output	1 x Line-In (mono, RCA type), 1 x Line-Out (mono, RCA type)
Event	Event sources	Motion, Sensor input, Client disconnection
	Event actions	Notification (E-mail), FTP, PTZ preset, Alarm control, Recording
General	Housing	IP: N/A
	Certifications	CE, FCC, KC, RoHS
	External devices	1 x Sensor-In (dry contact, NO/NC) 1 x Alarm-Out (dry contact, NO) 1 x RS-485 port
	Edge storage	SD/SDHC slot
	Power supply	Min DC12V/1.5A, PoE(Power over Ethernet) : 802.3af
	Power consumption	DC12V/PoE: Max DC12V/8.76W
	Operating condition	-10°C ~ 50°C (14°F ~ 122°F) / 20% ~ 80% RH
	Dimension	66.60(W) x 127.20(L) x 67.20(H)mm
Weight	376g	