

KRAMER



Installation Instructions

MODEL:

TS-1WUS Dual Insert US Power Socket Module
for Inner Frame, Modular Pop-up, and UTBUS



P/N: 2900-300888



Rev: 2



SAFETY WARNING

Disconnect the unit from the power supply before opening and servicing

For the latest information on our products and a list of Kramer distributors, visit our Web site where updates to these installation instructions may be found.

We welcome your questions, comments, and feedback.

www.KramerAV.com

info@kramerel.com

Dual Insert US Power Socket Module

Congratulations on purchasing your Kramer **TS-1WUS** dual insert US power socket module for Inner Frame, Modular Pop-up, and UTBUS.

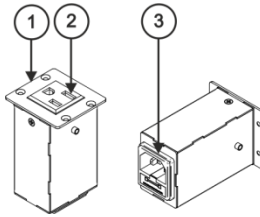


Figure 1: TS-1WUS

#	Feature	Function
1	Front plate	Attach to TBUS frame with four screws.
2	Power output socket	Connect to device for power supply.
3	Power input socket	Connect to mains electricity.

Installing the TS-1WUS

The Kramer **TS-1WUS** fits into a dual insert opening.

To install the TS-1WUS:

1. Place the **TS-1WUS** into the dual insert opening of a frame.
2. Fasten the front panel of **TS-1WUS** to the frame using the four M3x5 screws (supplied with the package).
3. Connect the power input socket on the back of the module to the mains electricity.

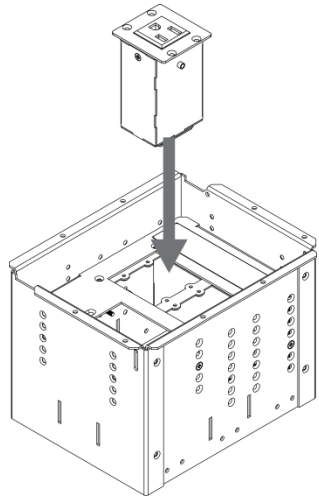


Figure 2: Installing **TS-1WUS**

Technical Specifications

Ports:	1 US power connector
Power:	100-120V AC, 50/60Hz, maximum 5A
Dimensions:	4.7cm x 8.2cm x 5.0cm (1.8" x 3.2" x 2.0") W, D, H
Shipping Dimensions:	14.5cm x 9.6cm x 6.2cm (5.7" x 3.8" x 2.4") W, D, H
Weight:	0.2kg (0.4lbs) approx.
Shipping Weight:	0.23kg (0.5lbs) approx.
Included Accessories:	4 M3x5 screws
Power Cord Option:	6ft/110V (North America), C-AC/US (110V) (P/N 91-000099)
Specifications are subject to change without notice at www.kramerav.com	