

Button & Slider Station

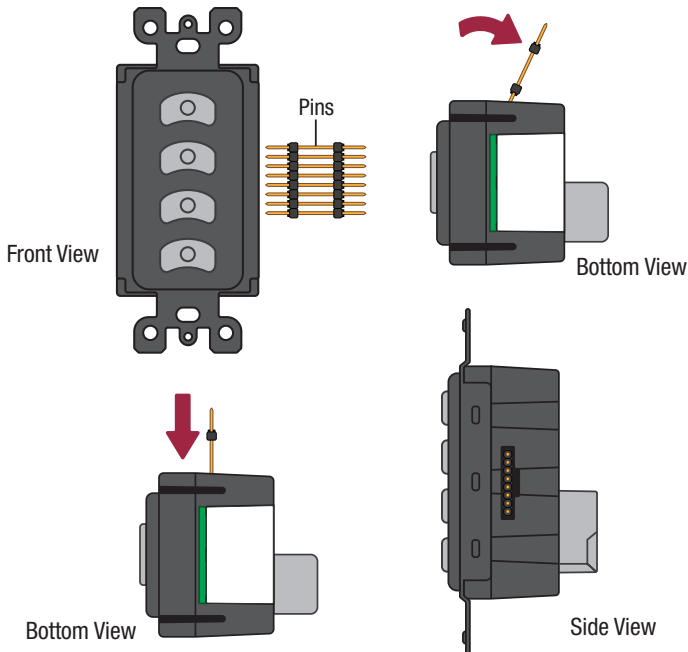
Quick Assembly Guide



1. Identify the Master insert. Masters have either an RJ45 connector or two six-pin headers.

Hold the Master in your left hand and the 8-pin connector in your right. Angle the connector slightly to visually locate the pin receptacles, then push the pins into the female connector inside the unit.

If you do not feel the pins engage into the connector right away, try slightly wiggling the 8-pin in your right hand until you feel the pins locate themselves.

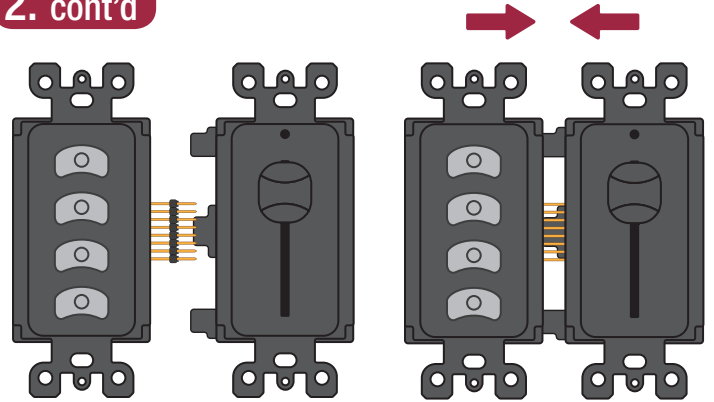


2. Hold the Master in your left hand and the first Slave unit in your right. The Slaves have three tabs along their left sides that will help align the inserts.

Keep the two inserts as straight and square to each other as possible, and with the tabs aligned, push them directly towards each other.

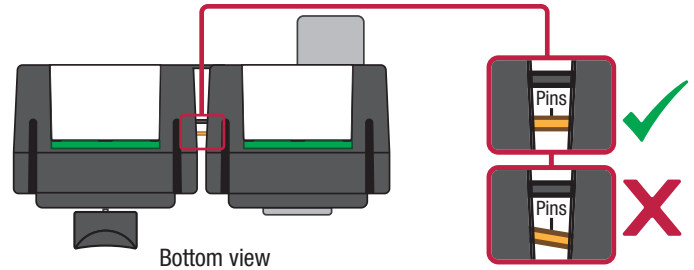
You should feel some light resistance as the pins butt up to the connector inside, and the tabs will snap together as the pins make contact with the receptacle.

2. cont'd



3. Verify proper contact by looking at the pins between the two inserts.

If misaligned, the pins will likely be resting at an angle, and will not make contact with the internal connector. In this case, pull the two inserts apart (see step 4) and try again.



Repeat process for each additional Slave.

Once complete, plug in cabling and test before mounting assembled station into place.

Within the first ten seconds of powerup, all LEDs on every insert should flash.

If Slave LEDs do not flash, proceed to step 4 and try again.

4. To separate two inserts, hold one in each hand with your fingers on the rear of the inserts and your palms on the front. Gently pry them apart in the direction of the arrows below. The tabs will disengage, at which point you may pull them apart.

