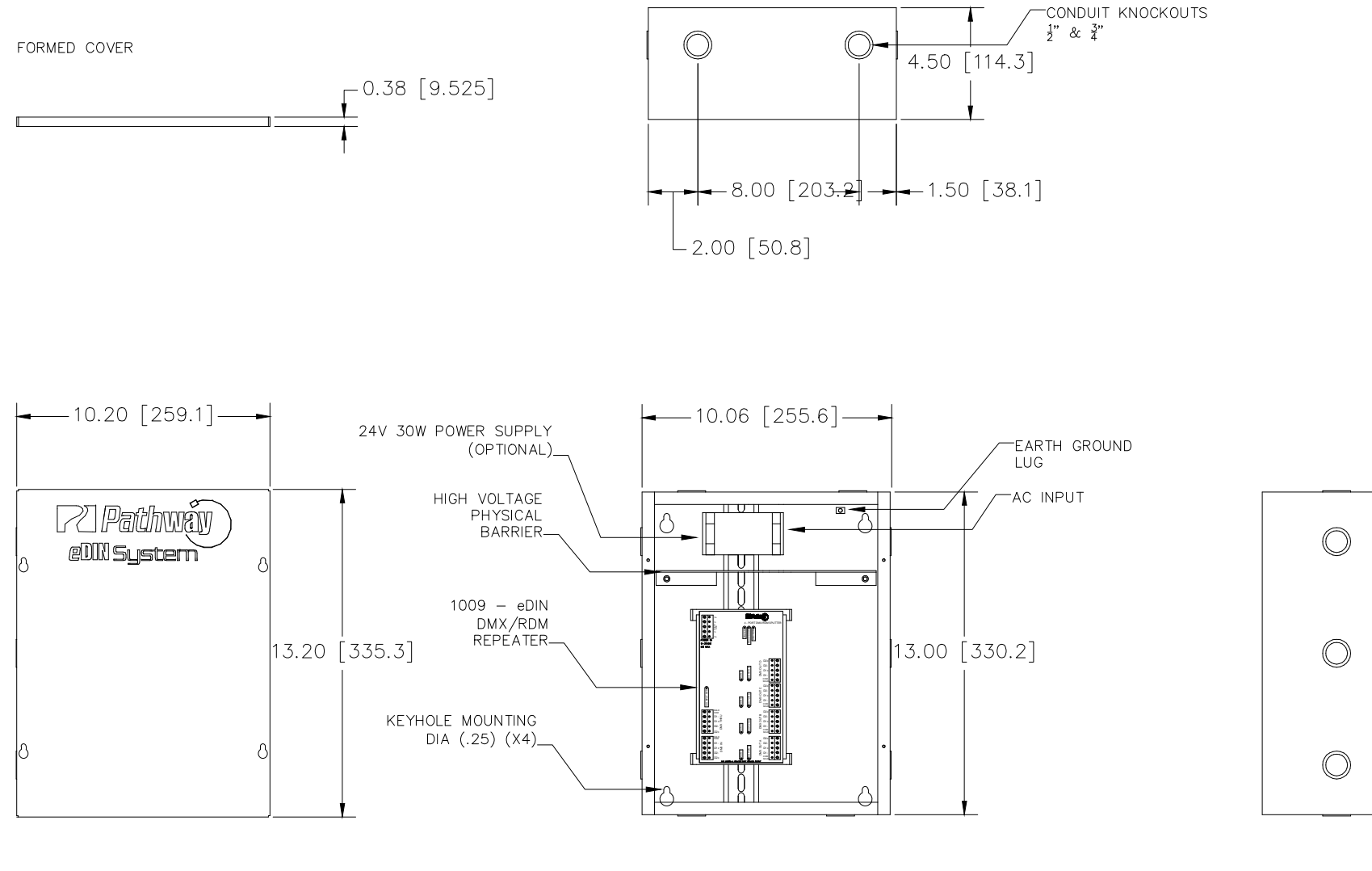


SPECIFICATIONS

SURFACE MOUNT ENCLOSURE
 MATERIAL – 18 GA. COLD ROLLED STEEL
 FINISH – MATTE BLACK POWDER COAT
 35mm x 7.5mm DIN RAIL MOUNTING

10.25"x13.25"x.38" FORMED COVER (included)



4813 - 4 way eDIN DMX/RDM Installation Splitter

FILENAME: 481x eDIN DMX-RDM Splitters.DWG

PART NUMBER: 4813



Pathway Connectivity Inc.
 103 Inglewood Plaza, 1439 17th Avenue SE
 Calgary, Alberta, Canada T2G 1J9
 Phone: +1(403)243-8110 Fax: +1(403)287-1281
<http://www.pathwayconnect.com>

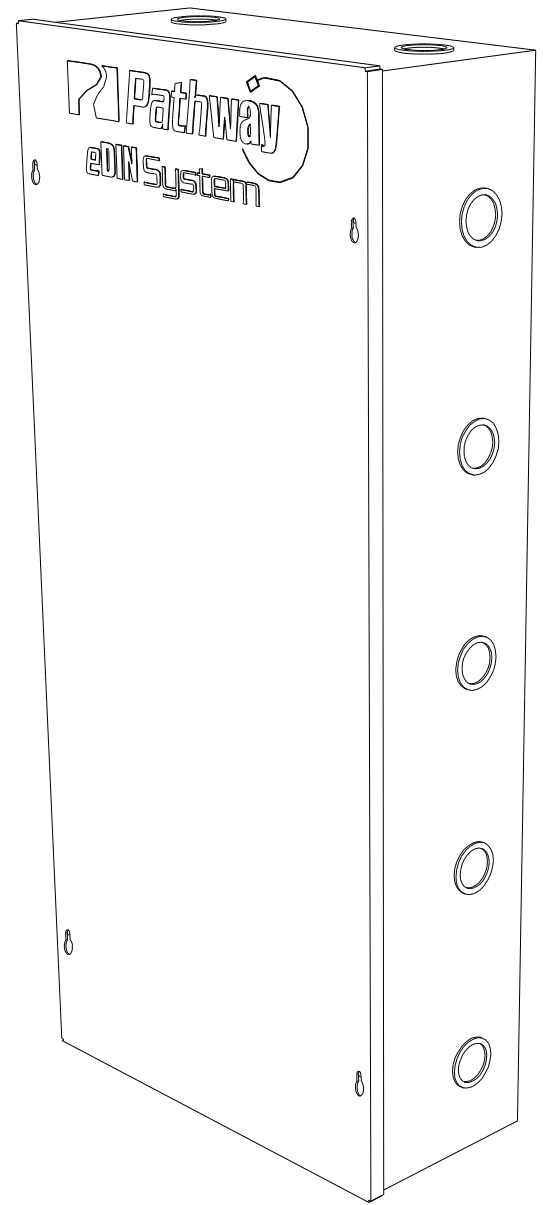
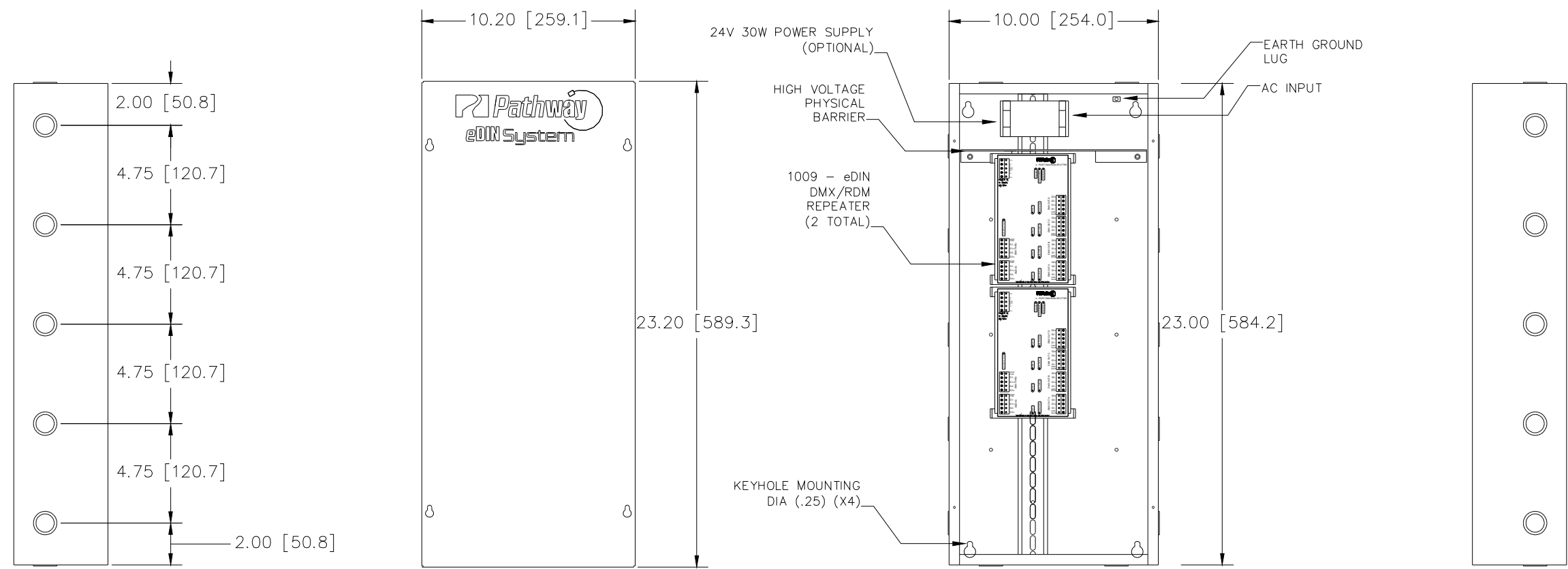
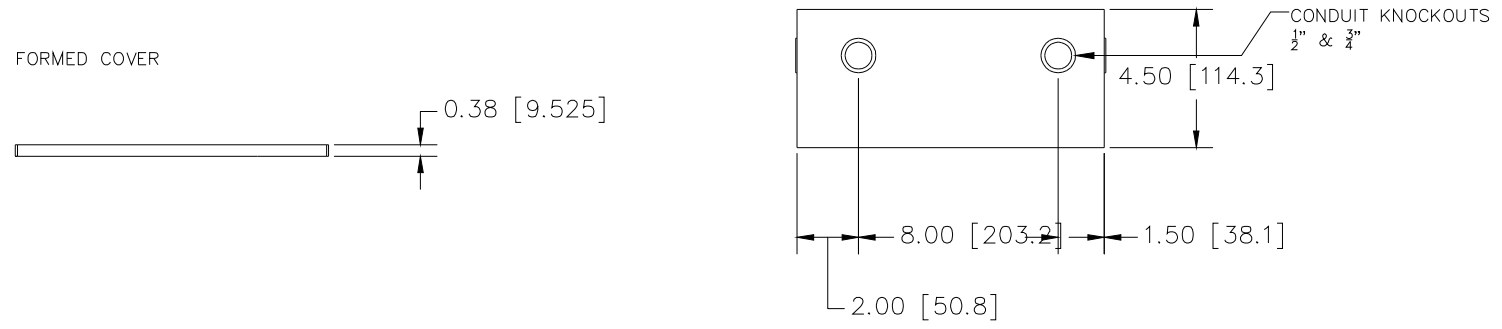
DRAWN BY:	BRIAN F. EVANS
DATE:	5/18/2017
CHECKED:	ROBERT BELL
SCALE :	NTS
UNITS:	INCHES [mm]

REV
A

SPECIFICATIONS

SURFACE MOUNT ENCLOSURE
 MATERIAL – 18 GA. COLD ROLLED STEEL
 FINISH – MATTE BLACK POWDER COAT
 35mm x 7.5mm DIN RAIL MOUNTING

10.25"x23.25"x.38" FORMED COVER (included)



4814 - 8 way eDIN DMX/RDM Installation Splitter

FILENAME: 481x eDIN DMX-RDM Splitters.DWG

PART NUMBER: 4814



Pathway Connectivity Inc.

103 Inglewood Plaza, 1439 17th Avenue SE
 Calgary, Alberta, Canada T2G 1J9
 Phone: +1(403)243-8110 Fax: +1(403)287-1281
<http://www.pathwayconnect.com>

DRAWN BY: BRIAN F. EVANS

DATE: 5/18/2017

CHECKED: ROBERT BELL

SCALE: NTS

UNITS: INCHES [mm]

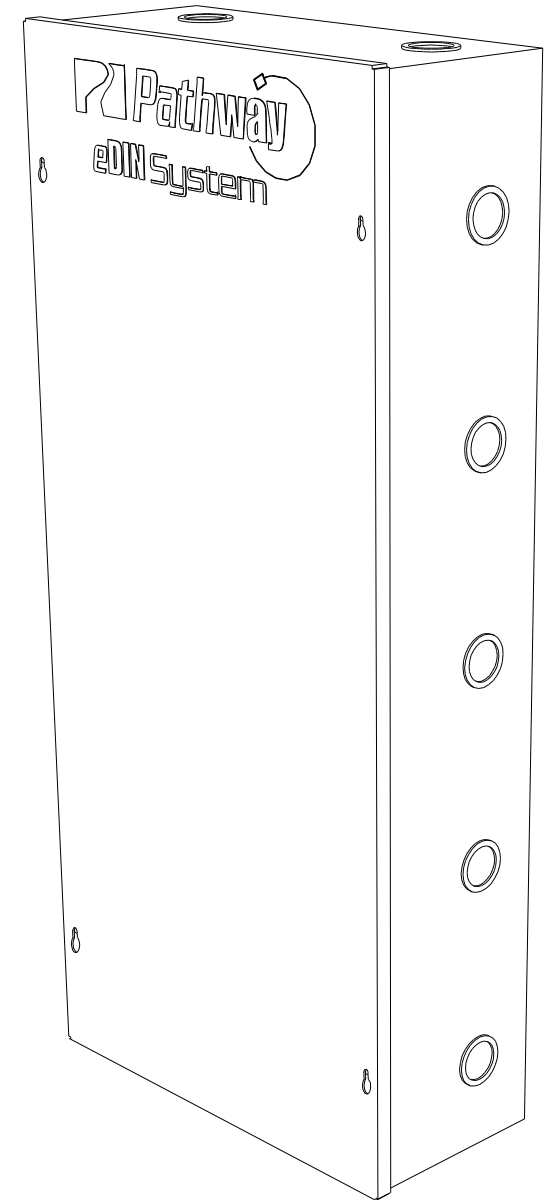
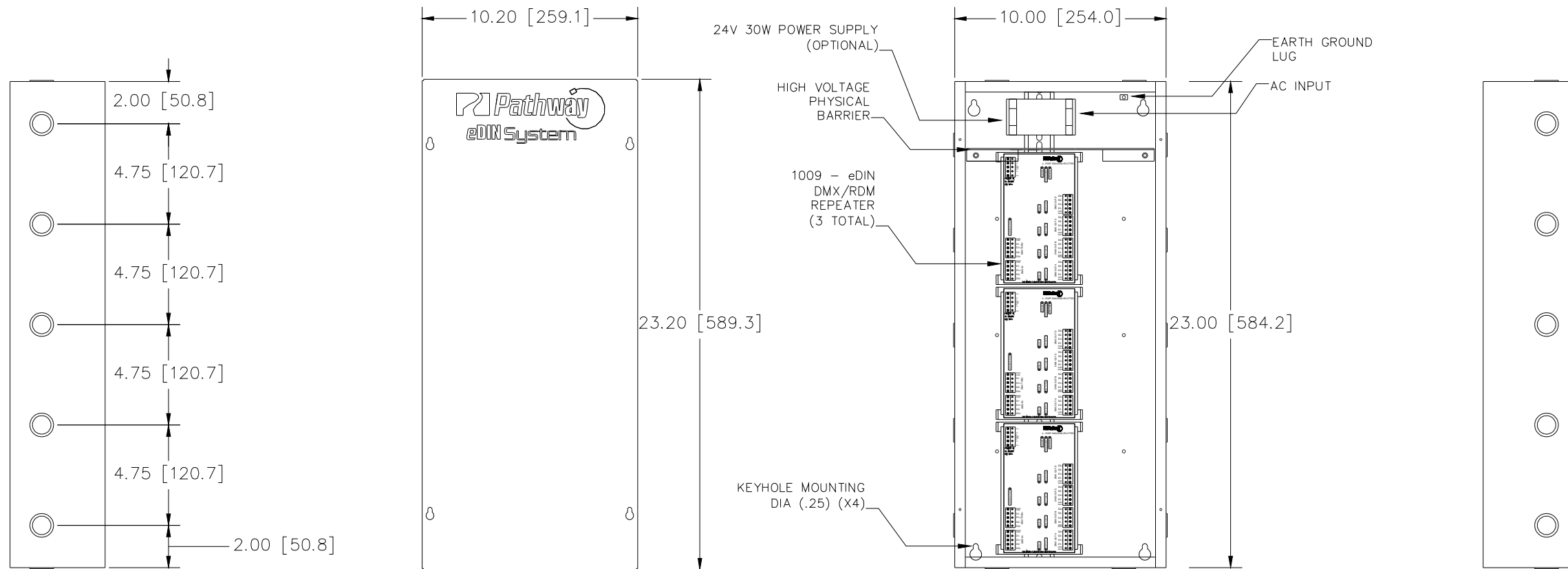
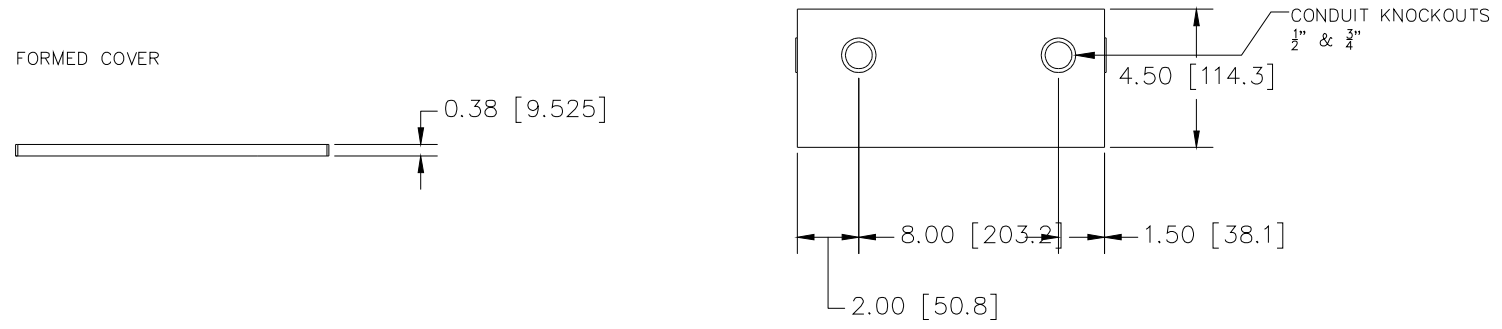
REV

A

SPECIFICATIONS

SURFACE MOUNT ENCLOSURE
 MATERIAL – 18 GA. COLD ROLLED STEEL
 FINISH – MATTE BLACK POWDER COAT
 35mm x 7.5mm DIN RAIL MOUNTING

10.25"x23.25"x.38" FORMED COVER (included)



4815 - 12 way eDIN DMX/RDM Installation Splitter



Pathway Connectivity Inc.

103 Inglewood Plaza, 1439 17th Avenue SE
 Calgary, Alberta, Canada T2G 1J9
 Phone: +1(403)243-8110 Fax: +1(403)287-1281
<http://www.pathwayconnect.com>

DRAWN BY: BRIAN F. EVANS

DATE: 5/18/2017

CHECKED: ROBERT BELL

SCALE: NTS

UNITS: INCHES [mm]

REV

A