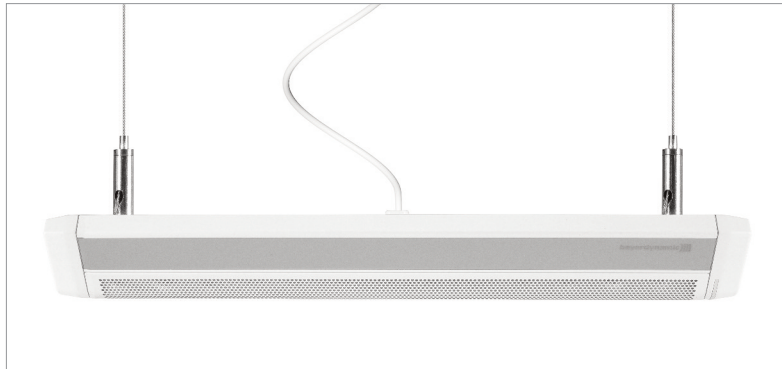


MPR 210 w ceiling

Revoluto Ceiling Microphone



FEATURES

- Revoluto Technology
- Corridor characteristic
- State-of-the-art metal casing
- Fixed connecting cable 3-pin XLR connector
- Linear frequency response with high bandwidth
- Supplied with wire rope holder kit for installations on ceilings

APPLICATIONS

The MPR 210 w ceiling is a modern microphone for ceiling installation which is ideal for discussions, tele/video conferencing and announcements.

The Revoluto technology with integrated microphone capsules provides a so-called corridor characteristic which ensures a wide range of good voice quality. Within this range the speaker can move freely, i.e. he/she can stand up or sit down, move his/her head and move towards or away from the microphone.

The supplied ceiling holder can be mounted to flat ceilings or sloping ceilings with a maximum angle of 70°.

ARCHITECT'S SPECIFICATIONS

Microphone with patented Revoluto microphone array technology for a safe installation on a ceiling via supplied wire rope holders, which can be mounted to flat ceilings with a maximum length of 3 m and optionally to sloping ceilings with a maximum angle of 70°. Innovative corridor characteristic with an incomparable freedom of movement without acoustic losses of the recording quality due to the excellent RFI shielding. Balanced frequency response with high bandwidth. Unobtrusive and modern fully metal housing with small dimensions for discreet positioning. Suitable for discussions, podiums, tele and video conferences, announcements and lecterns. Output level switchable in three stages. Two M3 holes at the top for safe installation on a ceiling via cable holders. Bare-ended connecting cable. Cable can be guided to the rear or downwards. Length 3 m. Delivery includes soft zipper bag. Available colours: white.

Manufacturer: beyerdynamic
Type: MPR 210 w ceiling

VERSIONS

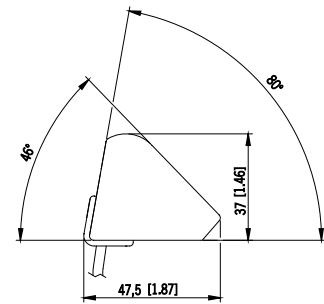
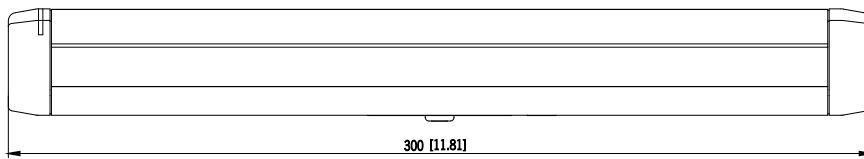
MPR 210 w ceiling Revoluto desktop microphone, painted white, connecting cable with 3-pin XLR connector, length 3 m, incl. wire rope holder kit with 2 x ceiling mounts, holders and wire ropes (length 3 m). Order # 710.520

TECHNICAL SPECIFICATIONS

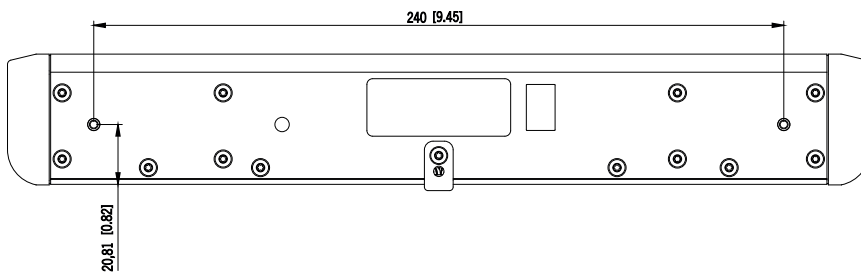
Transducer type.	Condenser (back electret)
Frequency response.	130 - 17,000 Hz
Microphone.	Microphone Array, patented
Polar pattern.	Corridor
Optimal distance when speaking.	60 - 80 cm
Open circuit voltage at 1 kHz.	approx. 200 mV/Pa
Output level depending on the selected position	
Hi.	200 mV/Pa
Mid.	60 mV/Pa (-10 dB)
Lo.	20 mV/Pa (-20 dB)
Nominal impedance.	200 Ω
Load impedance.	> 1 kΩ
Max. SPL at f = 1 kHz, k < 1%.	112 dB
Signal-to-noise ratio rel. to 1 Pa.	60 dB
Voltage supply.	Phantom powering 48 V ±4 V to 6.8 kΩ supply impedance 24 V ±4 V to 1.2 kΩ supply impedance
Power consumption.	8 mA
T.H.D.	< 0.1%
Connection.	3-pin XLR, male
Temperature range.	-10 °C to +40 °C
Dimensions (L x H x D).	300 x 40 x 45.5 mm
Weight (without cable).	230 g

MPR 210 w ceiling

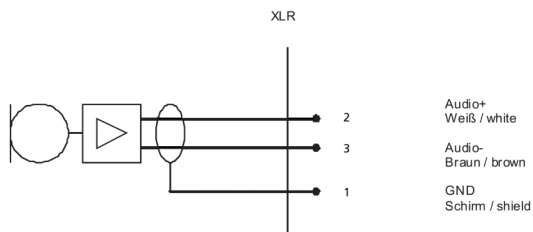
DIMENSIONS



DRILLING TEMPLATE DIMENSIONS



WIRING DIAGRAM



All dimensions in mm [inch]