

25.0 C

Enhance your audio system with OmniMount's Stainless Steel Series 25.0 speaker mount. A top-of-the-line solution, the 25.0 mounts to the ceiling and can be positioned to direct sound exactly where you want it.



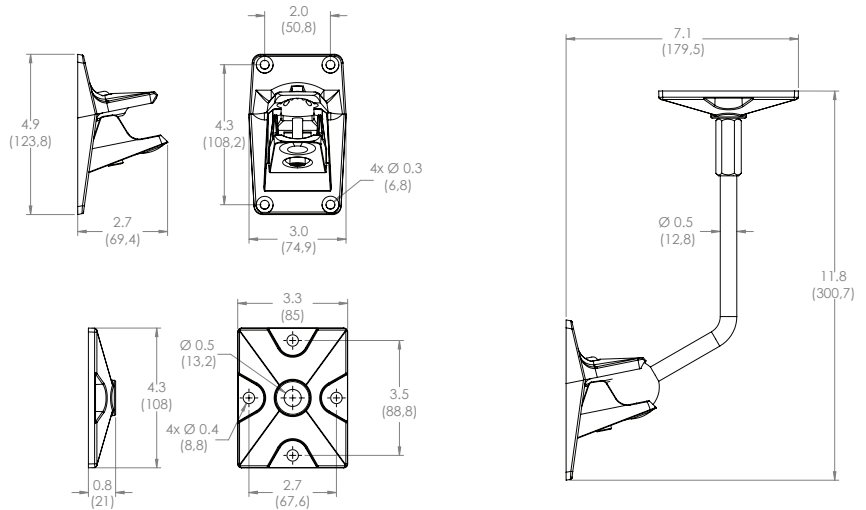
PRODUCT SPECIFICATIONS*

- Fits most:** Bookshelf speakers
- Supports up to:** 25 lbs (11,3 kg)
- Thread size:** 3/8" - 16
- Tilt:** +/- 30°
- Pan:** 180°
- Base Rotation:** 360°
- Color:** Black

PRODUCT BENEFITS*

- Polymer-injected ball controls resonance frequencies for better sound
- Stainless steel hardware for strength and durability
- Suitable for all weather use
- Ball and clamp design for greater mounting flexibility
- Includes clamp and jaw
- Includes complete hardware kit

*Subject to change



inches (mm)

	UPC	Dimensions WxDxH inches (mm)	Wt lbs (kg)	Qty
Packaging	698833040425	18.9 x 7.3 x 5.1 (480x185x130)	3.6 (1,64)	--
Master Carton	698833040422	17.1 x 15 x 11 (435x380x280)	14.1 (6,4)	4

Box Contents	Qty
Clamp assembly	1
Wall ball shaft	1
Mounting plate	1

Box Contents	Qty
Polymer ball	1
Complete hardware kit	1
Instruction manual	1