



# Spec Sheet

## ES602

bi-amped System  
4x3" / 1x10", 800W Power Amp **digipro G3**



### Applications

- Portable PA for live sound and playback applications, clubs, ballrooms, corporate AV
- Compact live sound reinforcement system

### Features

- 800 W Power Amp
- Compact size and weight
- One-trip carry
- One-minute setup
- 8 preset equalizations
- Extended vertical coverage
- Double-ringed phase plug for a wide horizontal coverage
- Auto-range PSU

### Description

ES602 is a portable bi-amped sound system composed by one passive top and one 10" subwoofer. The sub hosts a 800 W power amp module with auto-range PSU. A powerful DSP manages the functions of the system.

The satellite is placed on the subwoofer through the supplied D25mm pole.

The highly efficient Class-D Digipro® G3

amplifier provides high power with limited weight and dimension.

The digital preamplifier controls the audio crossover of the acoustic components, the frequency response, the limiter, and the phase alignment.

The top is equipped with 4x 3" neodymium drivers. The internal design of the top allows an asymmetrical vertical coverage. A unique "double ringed" phase plug widens the horizontal coverage and guarantees a perfect voice intelligibility.

The bass-reflex subwoofer houses a 10" woofer and the amplifier module. In addition to the input connectors and controls of the user-interface, there are two Speakon outputs and a VDE power connector.

The enclosure, is made of birch plywood coated with a durable scratch-resistant black coat.

The system's DSP allows to choose among 8 different equalizations:

- 1 - Flat
- 2 - Bass Boost
- 3 - Bass Reduction
- 4 - Playback
- 5 - Club
- 6 - Vocal
- 7 - Monitor
- 8 - Antifeedback

### Accessories

DT-50	Trolley for ES602
TC-ES10	Bag for ES602 sub
TC-ESTOP	Bag for ES tops

# ES602

## Technical Specifications

### Technical Data

Speaker Type	bi-amped System with one full-range top and one subwoofer
--------------	---

### Acoustical Data

Frequency Response [-10dB]	44 - 15.000 Hz
Max SPL	118 dB
MF-HF	4x 3"
MF-HF Type	Neodymium
LF	1x 10"
Directivity	95x65°

### Amplifier

Amp Technology	Digipro® G3
Amp Class	Class-D
Power Amp	800 W
Controls	1x Encoder 1x Audio signal monitoring LED 1x Audio limiter LED
Power Supply	SMPS with PSU Auto-range
Power Connection	VDE socket
Cooling	Convection

### Processor

Controller	DSP 56 bit
Converter AD/DA	24 Bit/48 kHz
Factory Presets	Flat, Bass boost, Bass reduction, Playback, Club, Vocal, Monitor, Antifeedback
Limiter	Dual Active, Peak, RMS, Thermal
Crossover Frequency LF-MF	210 Hz

### Inputs

Mic/Instrument Channel	1x Combo (XLR/Jack) balanced/unbalanced input with Mic/line sensitivity switch 1x RCA stereo input
Link Output	1x XLR balanced output

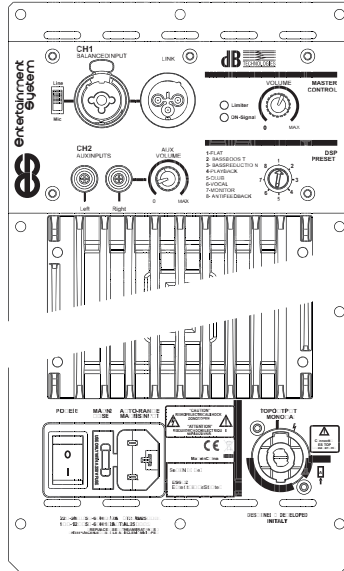
### Mechanics

Housing (Subwoofer)	15mm Black Painted Birch Plywood
Housing (Tops)	Polypropylene PP
Handles	2x lateral side (Subwoofer)
Width (Top)	95 mm (3.74 in)
Height (Top)	360 mm (13.98 in)
Depth (Top)	137 mm (5.39 in)
Width (Subwoofer)	300 mm (13.8 in)
Height (Subwoofer)	400 mm (15.7 in)
Depth (Subwoofer)	430 mm (16.9 in)
Weight (Top)	1.9Kg – 4.19lbs.
Weight (Subwoofer)	14.2Kg – 31.48lbs.

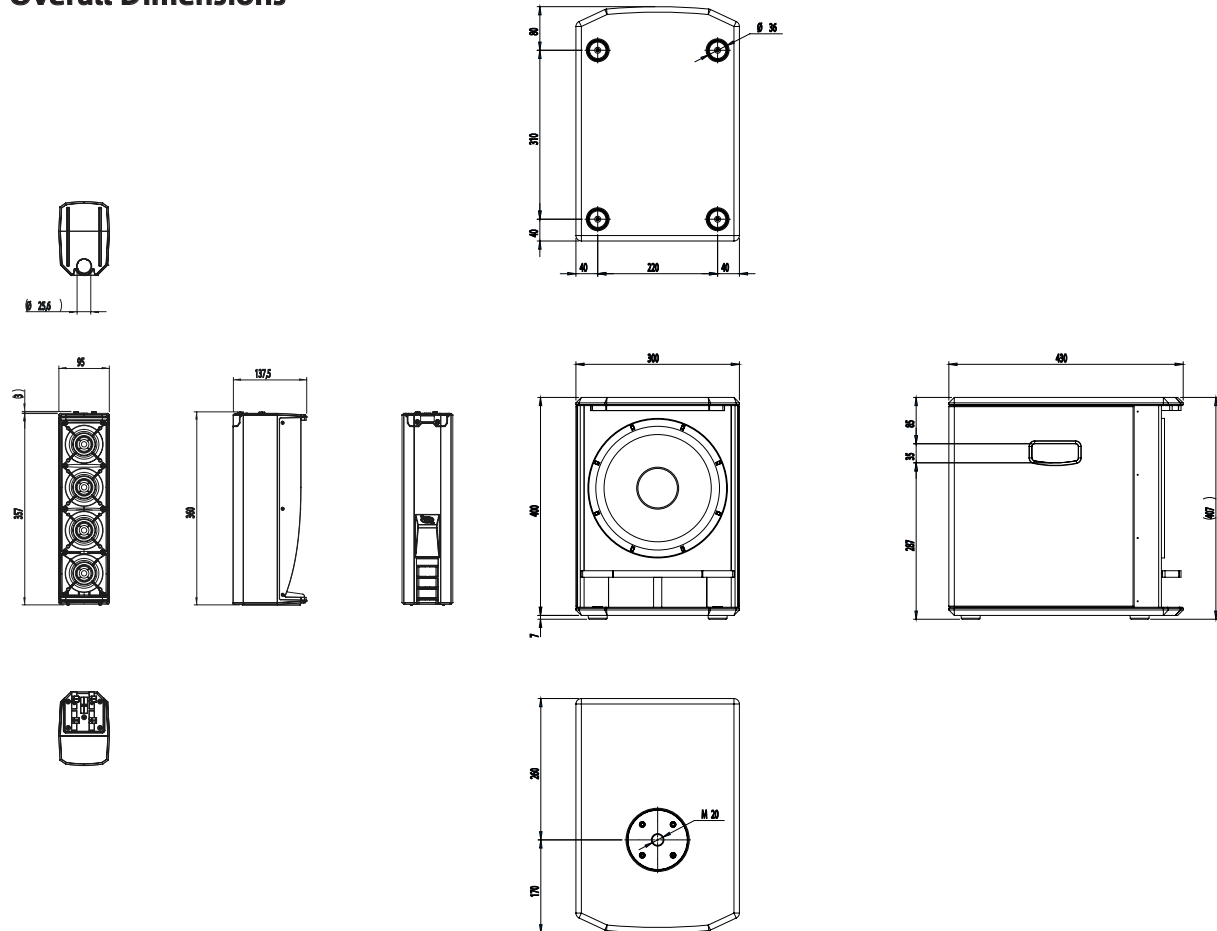
# ES602

## Technical Specifications

### Rear Panel



### Overall Dimensions



[info@dbtechnologies.com](mailto:info@dbtechnologies.com) [www.dbtechnologies.com](http://www.dbtechnologies.com)

dBTechnologies products are continually improved. All specifications are therefore subject to change without notice.