



EVERYTHING YOU NEED IN A COLOR DOME CAMERA FOR COST-EFFECTIVE SURVEILLANCE.

The WV-CS564 is the latest addition to Panasonic's Dome Camera line-up. Combining a color camera, zoom lens, and pan/tilt base in a compact dome design; the WV-CS564 provides all of the essential features needed for effective video surveillance.

Additional features include up to 32 pre-set, a patrol learn function and an image hold function, which can store a prior image for reference while automatically panning and tilting.

A combination of an 18x optical zoom lens with 2x digital zooming allows for 36x zooming capability.

The WV-CS564 is the ideal camera for cost-effective video surveillance applications.

Key Features

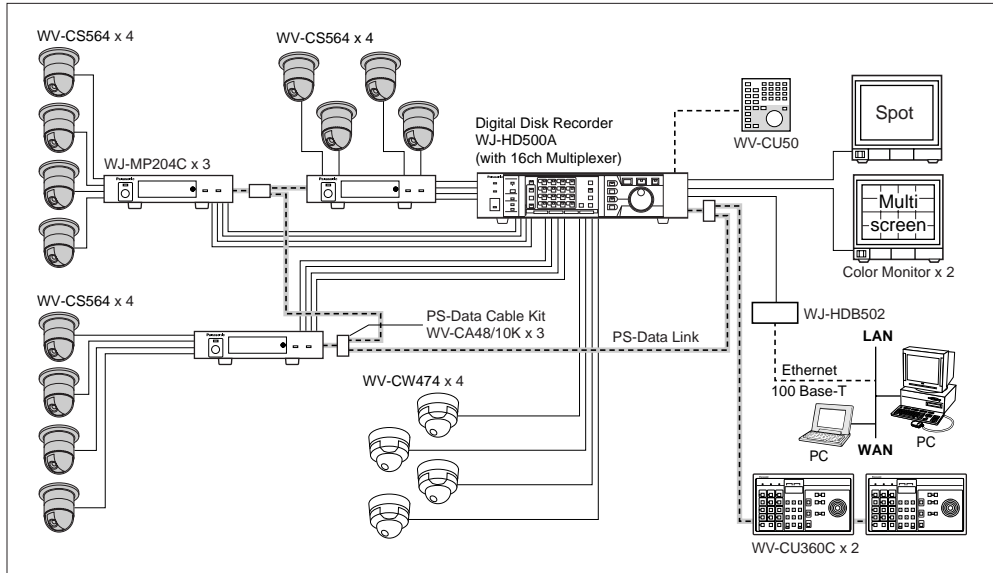
- Compact ø110mm (ø4-5/16") diameter dome-sized all-in-one color camera, for wide area surveillance applications.
- 480-line horizontal resolution.
- IP52 drip proof environmental structure.
- Min. illumination of 2 lx (0.2 fc).
- Electronic shutter from 1/60 (off) to 10,000 seconds.
- Patrol Learn function.
- 32 preset positions.<None>
- Panning speed of max. 300 degree/s at preset mode.
- Image hold function for auto panning mode.
- 18x optical zoom lens (3.78 - 67.1mm, F1.6).
- 2x linear electronic zoom function.
- Auto focus lens.
- Multiplex-coaxial data communication with Panasonic system products.
- Data (RS-485) site communication for long distance camera application.
- Alphanumeric character display.
- On-screen set-up menu.
- Optional smoke and mirror type dome covers are available.
- 24V AC, 60Hz power source.

OPTIONAL ACCESSORIES

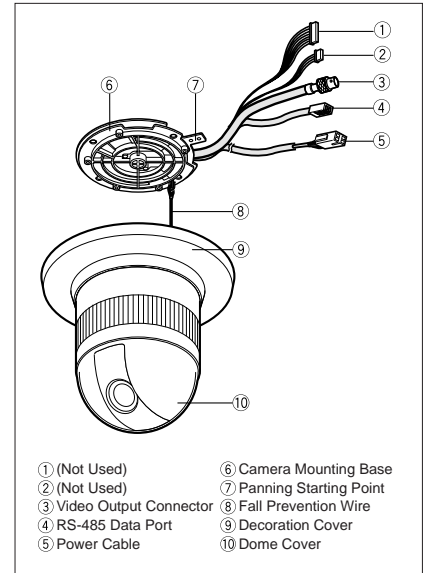
Smoke Covers
WV-CS2S
WV-CS2SH
Mirror Cover
WV-CS2M



SYSTEM EXAMPLE



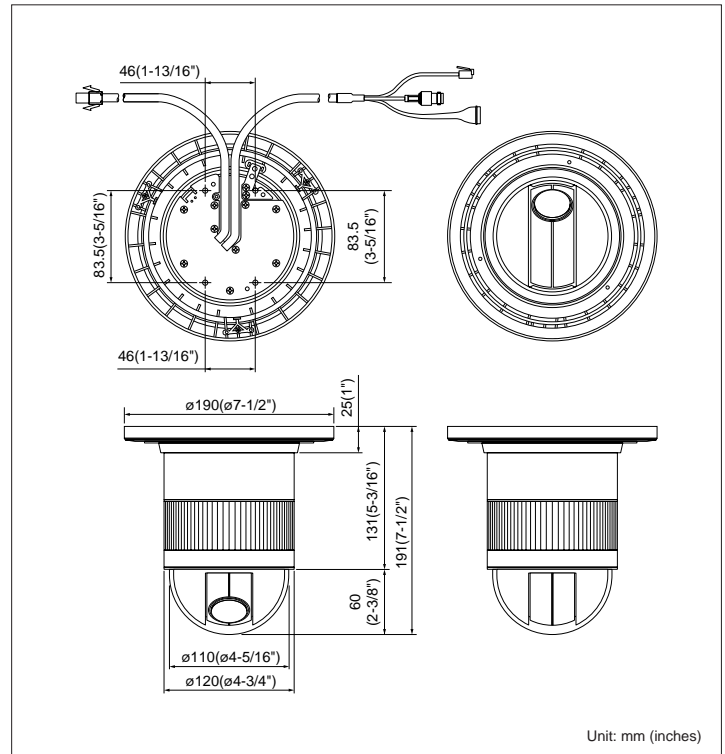
CONSTRUCTION



SPECIFICATIONS

Model No.	WV-CS564
Effective Pixels	768 (H) x 494 (V)
Scanning Area	3.65 mm (H) x 2.71 mm (V), 1/4-type CCD image sensor
Synchronization	Internal/Line-lock/Multiplexed Vertical Drive (VD2)
Horizontal Scanning Frequency	15.724 kHz
Vertical Scanning Frequency	59.94 Hz
Video Output	1.0V[p-p] NTSC composite/75Ω BNC connector
Horizontal Resolution	more than 480 lines at center
Vertical Resolution	more than 350 lines at center
Signal-to-Noise Ratio	50dB (AGC off, weight on)
Minimum Illumination	2 lx (0.2 fc)(AGC high)
Zoom Speed	approx. 4.5 s (Tele/Wide) in manual mode
Focus Speed	approx. 6.0 s (Far/Near) in manual mode
Iris	automatic (open/close is possible) /manual
Maximum Aperture Ratio	1:1.6 (Wide) - 3.0 (Tele)
Focal Length	3.78 - 67.1 mm (17.8x)
Angular Field of View	H 3.2° - 51.7° V 2.4° - 39.9°
Electronic Shutter	1/60 (off), 1/100, 1/250, 1/500, 1/1,000, 1/2,000, 1/4,000, 1/10,000 s
AGC	On (low) / On (mid) / On (high) / Off
BLC	selectable On/Off (setup menu)
Zoom Ratio	x18 plus digital zoom x2
Iris Range	F1.6 - 22, close
Auto Focus	MANUAL/AUTO
Auto Mode	OFF/SEQ/SORT/AUTO PAN/PATROL
Auto Pan Key	SEQ/SORT/AUTO PAN/ PATROL PLAY
Camera ID	preset ID, camera ID: up to 16 characters
PATROL	LEARN/PLAY/STOP, up to 30 seconds
Cleaning	On/Off
Panning Range	360° endless
Panning Angle Setting	possible (in auto-pan mode)
Panning Mode	manual/sequential position/sort position/auto pan
Panning Speed	manual: approx. 0.1°/s - 120°/s 8-steps/64-steps sequential position: maximum approx. 300°/s
Tilting Range	0° - 90°
Tilting Mode	manual/sequential position/sort position
Tilting Speed	manual: approx. 0.1°/s - 120°/s 8-steps/64-steps sequential position: maximum approx. 300°/s
Controls	pan/tilt, lens, 32 preset positions, home position
Ambient Operating Temperature	-10°C - +50°C (14°F - 122°F)
Power Source	24 V AC, 60 Hz
Power Consumption	14W
Dimensions	ø120 (D) x 191 (H) mm [4-3/4" (D) x 7-1/2" (H)]
Weight	approx. 2 kg (4.4 lbs.)

APPEARANCE



- Weights and dimensions are approximate.
- Specifications are subject to change without notice.
- These products may be subject to export control regulations.

Panasonic

Panasonic Security & Digital Imaging Company
A Division of Matsushita Electric Corporation of America

Security Systems Group

Executive Office : One Panasonic Way 3E-7, Secaucus, New Jersey 07094

Zone Office

Eastern : One Panasonic Way, Suite 3E-7, Secaucus, NJ 07094 (201) 348-7303

Central : 1707 N.Randal Road, 1C-2, Elgin, IL 60123 (847) 468-5211

Western : 6550 Katella Ave., Cypress, CA 90630 (714) 373-7840

<http://cctv.panasonic.com/>

DISTRIBUTED BY:

PANASONIC CANADA INC.

5770 Ambler Drive, Mississauga, Ontario, L4W 2T3 Canada (905) 624-5010

PANASONIC SALES COMPANY

DIVISION OF MATSUSHITA ELECTRIC OF PUERTO RICO, INC.

San Gabriel Industrial Park 65th Infantry Ave. KM. 9.5 Carolina, P.R. 00985 (809) 750-4300

Printed in Japan
WV-JHCS564T (2P-494)