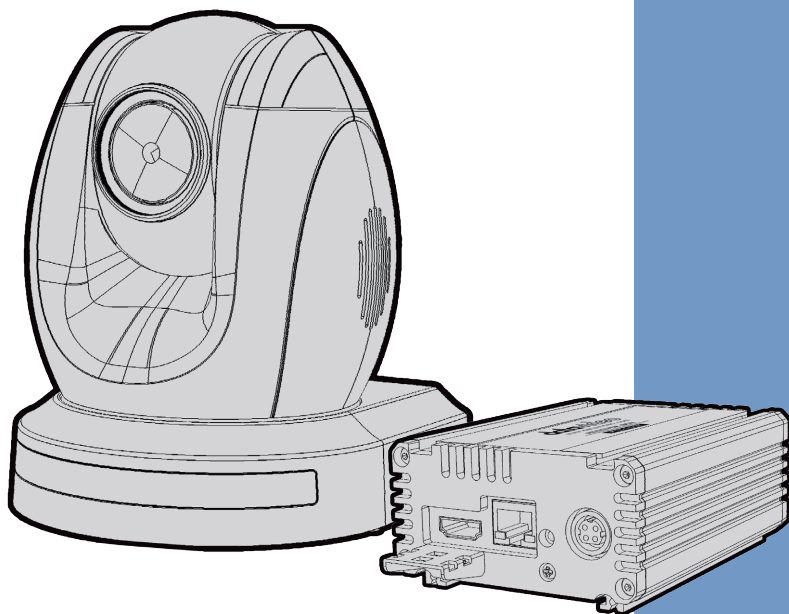


datavideo



**HD/SD-SDI HDBaseT
PTZ CAMERA**

PTC-150TW

Instruction Manual

www.datavideo.com

Table of Contents

FCC COMPLIANCE STATEMENT	4
WARNINGS AND PRECAUTIONS.....	4
WARRANTY.....	5
STANDARD WARRANTY	5
THREE YEAR WARRANTY	5
DISPOSAL	5
1. PRODUCT OVERVIEW	6
2. FEATURES	6
3. LOCATION AND FUNCTION OF PARTS.....	7
4. CONNECTIONS.....	8
4.1 CAMERA REAR CONTROL PANEL.....	8
4.2 RECEIVER BOX FRONT PANEL.....	8
4.3 RECEIVER BOX REAR PANEL.....	8
5. SYSTEM DIAGRAM.....	9
6. REMOTE CONTROL AND ON-SCREEN MENU	10
6.1 REMOTE CONTROL FUNCTIONS	10
6.2 ON-SCREEN MENU.....	13
7. INSTRUCTION FOR INSTALLATION.....	22
7.1 STEP 1 – DIP SWITCH SETTING	22
7.2 STEP 2 – ONE END OF MOUNTING WIRE.....	22
7.3 STEP 3 – CEILING BRACKET (B)	22
7.4 STEP 4 – CEILING BRACKET (A) AND CAMERA	23
7.5 STEP 5 – MOUNT CAMERA TO CEILING.....	25
7.6 STEP 6 – SCREW TO SECURE CAMERA	26
7.7 STEP 7 – CABLE CONNECTION.....	26
8. DIP SWITCH SETTINGS.....	27
8.1 RS-422.....	27
8.2 IRID	27

9. DVIP CONTROL PROTOCOL	28
9.1 DVIP SETUP.....	28
9.2 DVIP CONTROL OPERATION GUIDE	31
10. RS-422 CONTROL PROTOCOL	42
10.1 RS-422 PIN DESCRIPTIONS	42
10.2 RS-422 CONTROL OPERATION GUIDE.....	42
10.2.1 Overview of VISCA.....	42
10.2.2 VISCA Communication Specifications.....	43
10.2.3 VISCA Device Setting Command.....	46
10.2.4 VISCA Command/ACK Protocol	46
10.2.5 VISCA Camera-Issued Messages	47
10.2.6 PTC-150 Commands.....	48
11. FIRMWARE UPDATE	52
12. DIMENSIONS	53
13. SPECIFICATIONS.....	55
14. SERVICE AND SUPPORT	57

Disclaimer of Product and Services

The information offered in this instruction manual is intended as a guide only. At all times, Datavideo Technologies will try to give correct, complete and suitable information. However, Datavideo Technologies cannot exclude that some information in this manual, from time to time, may not be correct or may be incomplete. This manual may contain typing errors, omissions or incorrect information. Datavideo Technologies always recommend that you double check the information in this document for accuracy before making any purchase decision or using the product. Datavideo Technologies is not responsible for any omissions or errors, or for any subsequent loss or damage caused by using the information contained within this manual. Further advice on the content of this manual or on the product can be obtained by contacting your local Datavideo Office or dealer.

FCC Compliance Statement

This device complies with part 15 of the FCC rules. Operation is subject to the following two conditions:

- (1) This device may not cause harmful interference, and
- (2) This device must accept any interference received, including interference that may cause undesired operation.

Warnings and Precautions

1. Read all of these warnings and save them for later reference.
2. Follow all warnings and instructions marked on this unit.
3. Unplug this unit from the wall outlet before cleaning. Do not use liquid or aerosol cleaners. Use a damp cloth for cleaning.
4. Do not use this unit in or near water.
5. Do not place this unit on an unstable cart, stand, or table. The unit may fall, causing serious damage.
6. Slots and openings on the cabinet top, back, and bottom are provided for ventilation. To ensure safe and reliable operation of this unit, and to protect it from overheating, do not block or cover these openings. Do not place this unit on a bed, sofa, rug, or similar surface, as the ventilation openings on the bottom of the cabinet will be blocked. This unit should never be placed near or over a heat register or radiator. This unit should not be placed in a built-in installation unless proper ventilation is provided.
7. This product should only be operated from the type of power source indicated on the marking label of the AC adapter. If you are not sure of the type of power available, consult your Datavideo dealer or your local power company.
8. Do not allow anything to rest on the power cord. Do not locate this unit where the power cord will be walked on, rolled over, or otherwise stressed.
9. If an extension cord must be used with this unit, make sure that the total of the ampere ratings on the products plugged into the extension cord do not exceed the extension cord's rating.
10. Make sure that the total amperes of all the units that are plugged into a single wall outlet do not exceed 15 amperes.
11. Never push objects of any kind into this unit through the cabinet ventilation slots, as they may touch dangerous voltage points or short out parts that could result in risk of fire or electric shock. Never spill liquid of any kind onto or into this unit.
12. Except as specifically explained elsewhere in this manual, do not attempt to service this product yourself. Opening or removing covers that are marked "Do Not Remove" may expose you to dangerous voltage points or other risks, and will void your warranty. Refer all service issues to qualified service personnel.
13. Unplug this product from the wall outlet and refer to qualified service personnel under the following conditions:
 - a. When the power cord is damaged or frayed;
 - b. When liquid has spilled into the unit;
 - c. When the product has been exposed to rain or water;
 - d. When the product does not operate normally under normal operating conditions. Adjust only those controls that are covered by the operating instructions in this manual; improper adjustment of other controls may result in damage to the unit and may often require extensive work by a qualified technician to restore the unit to normal operation;
 - e. When the product has been dropped or the cabinet has been damaged;
 - f. When the product exhibits a distinct change in performance, indicating a need for service.

Warranty

Standard Warranty

- Datavideo equipment are guaranteed against any manufacturing defects for one year from the date of purchase.
- The original purchase invoice or other documentary evidence should be supplied at the time of any request for repair under warranty.
- Damage caused by accident, misuse, unauthorized repairs, sand, grit or water is not covered under warranty.
- Viruses and malware infections on the computer systems are not covered under warranty.
- Any errors that are caused by unauthorized third-party software installations, which are not required by our computer systems, are not covered under warranty.
- All mail or transportation costs including insurance are at the expense of the owner.
- All other claims of any nature are not covered.
- Cables and batteries are not covered under warranty.
- Warranty only valid in the country or region of purchase.
- Your statutory rights are not affected.

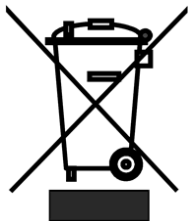
Three Year Warranty

- All Datavideo products purchased after July 1st, 2017 are qualified for a free two years extension to the standard warranty, providing the product is registered with Datavideo within 30 days of purchase.
- Certain parts with limited lifetime expectancy such as LCD panels, DVD drives, Hard Drive, Solid State Drive, SD Card, USB Thumb Drive, Lighting, Camera module, PCIe Card are covered for the first 10000 hours, or 1 year (whichever comes first).



Any three-year warranty claims must be made to your local Datavideo office or one of its authorized Distributors before the extended warranty expires.

Disposal



For EU Customers only - WEEE Marking

This symbol on the product or on its packaging indicates that this product must not be disposed of with your other household waste. Instead, it is your responsibility to dispose of your waste equipment by handing it over to a designated collection point for the recycling of waste electrical and electronic equipment. The separate collection and recycling of your waste equipment at the time of disposal will help to conserve natural resources and ensure that it is recycled in a manner that protects human health and the environment. For more information about where you can drop off

your waste equipment for recycling, please contact your local city office, your household waste disposal service or the shop where you purchased the product.



CE Marking is the symbol as shown on the left of this page. The letters "CE" are the abbreviation of French phrase "Conformité Européene" which literally means "European Conformity". The term initially used was "EC Mark" and it was officially replaced by "CE Marking" in the Directive 93/68/EEC in 1993. "CE Marking" is now used in all EU official documents.

1. Product Overview

The PTC-150TW HD/SD Video Camera is a PTZ camera that can be mounted on a wall, ceiling, floor, or a tabletop. The camera is equipped with HDBaseT Technology for remote control purpose, video image conveyance, power transmission and Ethernet connection. The camera captures HD video at 1920 x 1080 resolution, and features wide dynamic range with backlight compensation. The camera features a motorized 30x optical zoom capability, and its image mirror and image rotation functions allow you to electronically adjust the image and deliver a correctly oriented image. In addition to the basic camera functions, the PTC-150TW also has a receiver box that allows the user to control the camera at a remote location with just one Ethernet cable.

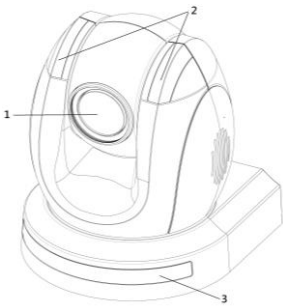
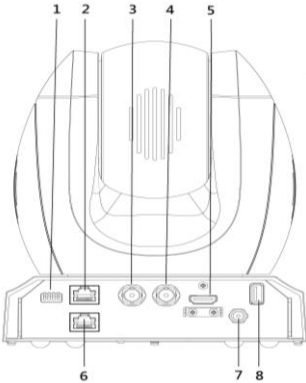
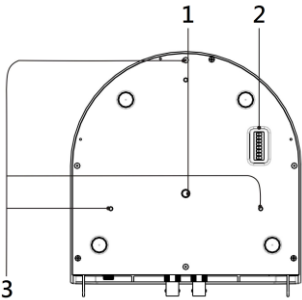
50 programmable presets including pan, tilt, and zoom positions, allow the camera to quickly move between predetermined camera positions using the remote.

For multi-camera shoots, the built-in tally light can identify active camera. The camera features a built-in IR cut filter in the image path for low light shooting, and then returns for daytime shooting. Moreover, PTC-150TW supports real time position report on a per frame basis; this will be helpful to virtual studio application. The camera supports Sony VISCA protocol for PTZ control using RS-422 interface over the unit's RJ-45 port.

2. Features

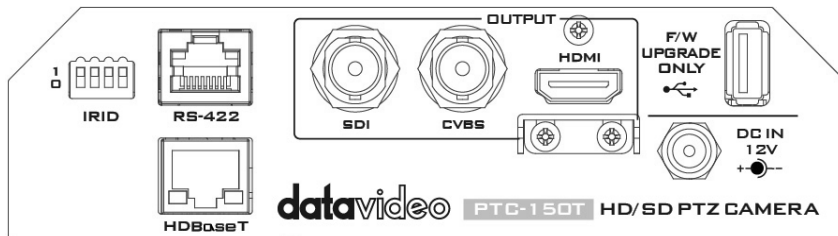
- HD Resolution: 1/2.8" High Definition 2.14 M Pixels progressive CMOS sensor
- 30x optical zoom (f = 4.3 mm to 129 mm)
- High definition formats supported: 1080/59.94p, 1080/50p, 1080/59.94i, 1080/29.97p, 1080/25p, 1080/50i, 720/59.94p, 720/50p
- Standard definition formats supported: 480i, 576i
- Digital Noise Reduction Function (DNR) to reduce the noise and enable clearer image under low light conditions.
- Position coordinates report in real time per frame.
- Video Output: HD-SDI + CVBS + HDMI synchronously.
- Tally LED Design
- Supports VISCA Protocol Keyboard
- Supports DVIP Control Protocol
- Supports HDBaseT

3. Location and Function of Parts

Front of Camera	
	<p>1 Lens Built-in 1/2.8" 2.14M Pixel CMOS HD color camera with white balance control, backlight compensation settings, automatic gain settings and etc.</p>
	<p>2 Tally LED Tally lamp lights up when tally signal has been transmitted to the tally signal box.</p>
	<p>3 Sensor for Remote Control Remote controller receiver</p>
Rear of Camera	
	<p>1 DIP Switch SW2 DIP switch for IRID setting</p>
	<p>2 RS422 Communication Port Remote control of camera via RJ-45 interface</p>
	<p>3 HD-SDI OUT Video signal output: 800mV+-10% 75_ BNC</p>
	<p>4 CVBS OUT Video signal output CVBS 1. 0Vp-p 75_ BNC</p>
	<p>5 HDMI OUT Video signal output 16-bit YCbCr 4:2:2</p>
	<p>6 HDBaseT Communication Port</p>
	<p>7 Power Input DC 12V Input</p>
	<p>8 USB Port F/W Upgrade Only</p>
Bottom of Camera	
	<p>1 Tripod Screw Hole</p>
	<p>2 DIP Switch SW1 Camera ID setting for camera cascading</p>
	<p>3 Screw Hole Screw holes for ceiling bracket mounting</p>

4. Connections

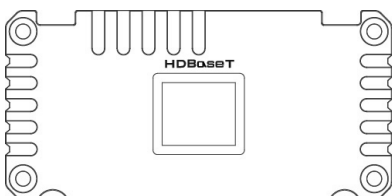
4.1 Camera Rear Control Panel



HDBaseT

Port for connection to the PTC-150TW Receiver Box HD-Base-T Port using a CAT5e/6 Cable

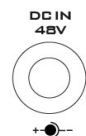
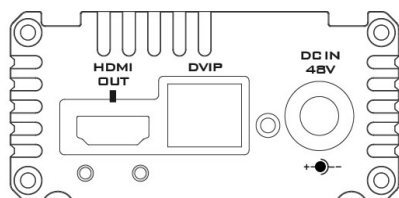
4.2 Receiver Box Front Panel



HDBaseT

Port for connection to the PTC-150TW Camera HDBaseT Port using a CAT5e/6 Cable

4.3 Receiver Box Rear Panel



DC In Socket

Connects the supplied 48V PSU to this socket. The connection can be secured by screwing the outer fastening ring of the DC In plug to the socket.



HDMI OUT

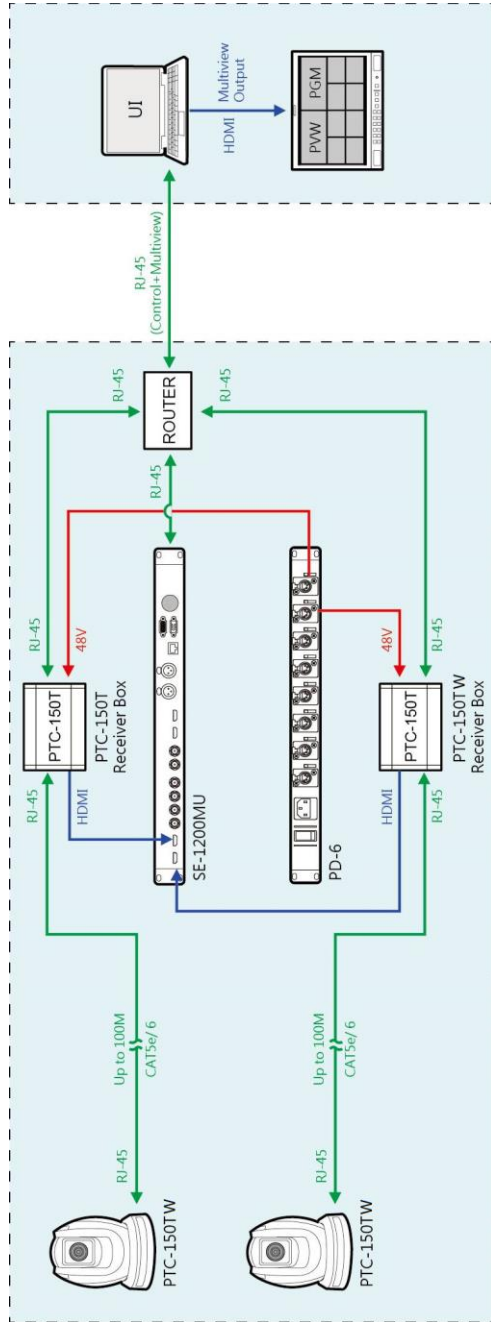
Connection to Monitor Display



DVIP Communication Port

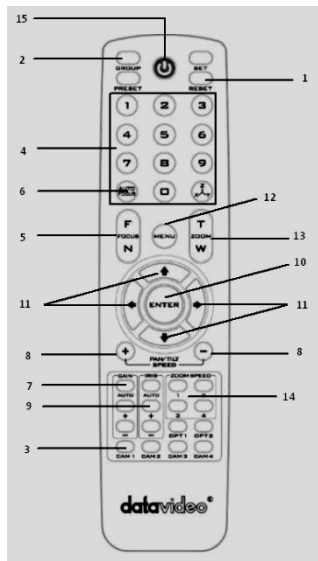
Warning: Please do not plug the 48V power adapter into the PTC-150TW Camera DC-IN Socket.




5. System Diagram










6. Remote Control and On-Screen Menu

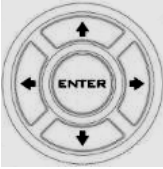




6.1 Remote Control Functions



No	Item	Description
1		Press RESET button to return the camera lens to the front.
2		Use the No. bottom & the group bottom to select the group scan. Press any of the No. buttons 1~8 and then press GROUP button.
3		Select CAM1-CAM4 in a multi-camera environment Assign an ID number to the camera intended for operation by adjusting the IRID (SW2) switch located at the rear of the camera Press CAMERA SELECT (CAM 1~CAM4) buttons corresponding to the numbers set previously to navigate between four cameras

No	Item	Description
4		Various combinations of settings (position, zoom, focus, gain control and iris control) can be saved to presets. Adjust Preset Point Adjust position, zoom, focus, gain control and iris of the camera. Set up Preset Point Press any of the POSITION buttons 1~50 and then press SET button. Recall saved setting Press any of the POSITION buttons 1~50 and then press PRESET button. Set up Group Scan mode Press any of the POSITION buttons 1~8 and then press

		<p>GROUP button.</p> <p>Return Camera Lens back to Front Press number 0 and then press PRESET button.</p>
5	<p>Focus Setup</p> 	<p>Manually focus camera lens on a subject Press either (F) FAR button or (N) NEAR button to manually focus the camera lens onto the subject.</p>
6	<p>Auto Focus Control</p> 	<p>Automatically focus camera lens on a subject Press A/ FOCUS button. Camera lens will be automatically focused on the subject such that it is positioned at the center of the screen.</p> <p>Exit Sub-Menu Option Press A/ FOCUS button to exit sub-menu option</p>
7	<p>Gain Control</p> 	<p>Adjust Brightness Press GAIN+ button to increase the brightness or GAIN- button to decrease the brightness of the environment.</p> <p>To cancel the function or return to default setup, press A/ GAIN button.</p>
8	<p>P/T Speed</p> 	<p>Adjust Pan/ Tilt Speed Press SPEED + / - button to switch to different speed (up/down)</p>
9	<p>Auto Iris Control</p> 	<p>Make the subject appear brighter Adjust the iris opening (aperture), to control the amount of light coming through the lens (i.e. the "exposure"). Press IRIS+ button to enlarge the iris opening to allow more light to come in so that the subject appears brighter and press IRIS- button to shrink the iris opening to allow less light to come in so that the subject appears less bright.</p> <p>To cancel the function or return to default setup, press A/IRIS button.</p>
10	<p>ENTER</p> 	<p>ENTER Menu ENTER key</p>

11	<p>Direction Arrows</p> 	<p>Change camera direction Press arrow buttons to change the direction of the camera head</p> <p>Stop Preset Point Auto Scan mode Press any of the DIRECTION buttons</p> <p>Select Menu Option Press UP or DOWN button to select the menu option</p> <p>Adjust P/T Speed Press UP or DOWN button to adjust the PAN/TILT Speed</p> <p>Enter Sub-Menu Option Press ENTER button to enter sub- menu option</p> <p>Adjust Setup Value Press LEFT or RIGHT button to adjust the value</p>
12	<p>Enter / Exit Camera Menu</p> 	<p>Enter or Exit Camera Menu Option</p>
13	<p>Zoom In / Out Buttons</p> 	<p>Zoom Press either (T) TELE button to zoom in on the subject such that it appears to be close to the camera or (W) WIDE button to zoom out from the subject such that it appears to be far away from the camera.</p>
14	<p>Zoom Speed Button (4 speed selection)</p> 	<p>Adjust Zoom In/Out Speed Press this button to switch to different speed (The Highest~ The Lowest)</p>
15	<p>Power Button</p> 	<p>Switch Remote Controller ON/OFF</p>

6.2 On-Screen Menu

On-Screen Menu allows the user to change various camera settings such as shooting conditions and the system setup. Press **[Menu]** on the **remote control** to enter the on-screen menu as shown below.

On-Screen MENU
1: Camera Set (Normal)
2: Memory
3: Video Output
4: Remote Control
5: System
6: Camera Set (Advance)
7: Reset P/T/Z
8: Escape

The following table lists all the sub-options of the options on the main menu.

Main Options								
Camera Set (Normal)	Memory	Video Output	Remote Control	System	Camera Set (Advance)	Reset P/T/Z	Escape	
Sub-Options	1. Camera Name	1. Preset Position	1. Selection Way	1. PAN/TILT Reverse	1. Display	1. Camera Name	Reset P/T/Z	
	2. Mirror	2.Group-1	2. Video Mode	2. Remote Source	2. Set Motor	2. Mirror		
	3. White Balance	3. Group-2	3. CV Mode	3. Set RS-422	3. Tally Light	3. White Balance		
	4. Focus	4. Group-3	4. Pattern	4. Set DVIP	4. Reset All	4. Focus		
	5. Iris	5. Group-4	5. Escape	5. Set IR	5. Update Software	5. Iris		
	6. AGC	6. Group-5		6. PTZ INFO. output	6. Escape	6. AGC		
	7. Escape	7. Group-6		7. Escape		7. Fog Correction		
		8. Group-7				8. Aperture		
		9. Group-8				9. Vivid Effect		
		10. Escape				10. Pedestal Effect		
						11. Backlight Correct		
						12. Day/Night Mode		
						13. Shutter		
						14. Gamma Mode		
						15. WD Mode		
						16. Escape		

Details of all options in the on-screen menu are listed in the table below.

First Level Main Options	Second Level Sub-Options	Third Level Parameters	Fourth Level Parameters	Sub-Option Descriptions	
1. Camera Set (Normal)	1. Camera Name	NAME			
		DISPLAY SW	ON/OFF		
		POSITION	LOWER LEFT		
			UPPER RIGHT		
	ESCAPE				
	2. Mirror	H+V			
		V			
		H			
		OFF			
	3. White Balance	MODE		AWB(AUTO)	
				AWC (ONE PUSH)	
				MWB (MANUAL)	
				3200K (INDOOR)	
				6500K (OUTDOOR)	
				4200K (FLUO)	
		SMART ATW	OFF		
			SMART1/2/3		
	MWB RED COMPONENT	0~128~255			
	MWB BLUE COMPONENT	0~128~255			
	ESCAPE				
	4. Focus	FOCUS MODE		AUTO	
				MANUAL	
		AF SENSITIVITY		LOW	
				NORMAL	
	FOCUS SPEED	1~4			
	ESCAPE				
	5. Iris	IRIS MODE		AUTO IRIS	
				MANUAL	
		MANUAL IRIS LEVEL		F1.6	
				F2.0	
				F2.4	
				F2.8	
				F3.4	
				F4	
				F4.8	
				F5.6	
			F6.8		
			F8		
			F9.6		
			F11		
	F14				
	CLOSE				
ESCAPE					
6. AGC	DAY (COLOR) AGC		AGC MODE	OFF	
				ON	
			MANUAL GAIN	0 dB ~ GAIN LIMIT	
		GAIN LIMIT	9 dB		

			12 dB	
			15 dB	
			18 dB	
			21 dB	
			24 dB	
			27 dB	
			30 dB	
			33 dB	
			36 dB	
			39 dB	
ESCAPE				
DNR	DNR (AT AGC ON)	ON		
		OFF		
	DNR LEVEL	0		
		1		
		2		
		3		
		4		
5				
ESCAPE				
ESCAPE				
7. Escape				
2. Memory	1. Preset Position	1-50	P	
			T	
			Z	
	2. Group - 1	51	ESCAPE	
			17. ESCAPE	
		1-16	PRESET NO.	1~50
			ITEM ON/OFF	ON/OFF
			SPEED LIMIT	1~18
			WAITING TIME	0~180
			NEXT POSITION	NEXT TIME
				RETURN
				GROUP - 1
				GROUP - 2
				GROUP - 3
				GROUP - 4
				GROUP - 5
				GROUP - 6
GROUP - 7				
GROUP - 8				
ESCAPE				
17. ESCAPE				
3. Group - 2	1-16	PRESET NO.	1~50	
		ITEM ON/OFF	ON/OFF	
		SPEED LIMIT	1~18	
		WAITING TIME	0~180	
	NEXT POSITION	NEXT TIME		
		RETURN		
		GROUP - 1		
		GROUP - 2		
		GROUP - 3		
		GROUP - 3		

			GROUP - 4
			GROUP - 5
			GROUP - 6
			GROUP - 7
			GROUP - 8
		ESCAPE	
17. ESCAPE			
4. Group - 3	1-16	PRESET NO.	1~50
		ITEM ON/OFF	ON/OFF
		SPEED LIMIT	1~18
		WAITING TIME	0~180
		NEXT POSITION	NEXT TIME
			RETURN
			GROUP - 1
			GROUP - 2
			GROUP - 3
			GROUP - 4
			GROUP - 5
			GROUP - 6
		GROUP - 7	
		GROUP - 8	
ESCAPE			
17. ESCAPE			
5. Group - 4	1-16	PRESET NO.	1~50
		ITEM ON/OFF	ON/OFF
		SPEED LIMIT	1~18
		WAITING TIME	0~180
		NEXT POSITION	NEXT TIME
			RETURN
			GROUP - 1
			GROUP - 2
			GROUP - 3
			GROUP - 4
			GROUP - 5
			GROUP - 6
		GROUP - 7	
		GROUP - 8	
ESCAPE			
17. ESCAPE			
6. Group - 5	1-16	PRESET NO.	1~50
		ITEM ON/OFF	ON/OFF
		SPEED LIMIT	1~18
		WAITING TIME	0~180
		NEXT POSITION	NEXT TIME
			RETURN
			GROUP - 1
			GROUP - 2
			GROUP - 3
			GROUP - 4
			GROUP - 5
			GROUP - 6
		GROUP - 7	
		GROUP - 8	

		ESCAPE	
	17. ESCAPE		
7. Group – 6	1-16	PRESET NO.	1~50
		ITEM ON/OFF	ON/OFF
		SPEED LIMIT	1~18
		WAITING TIME	0~180
		NEXT POSITION	NEXT TIME
			RETURN
			GROUP – 1
			GROUP – 2
			GROUP – 3
			GROUP – 4
			GROUP – 5
			GROUP – 6
		GROUP – 7	
		GROUP – 8	
		ESCAPE	
17. ESCAPE			
8. Group – 7	1-16	PRESET NO.	1~50
		ITEM ON/OFF	ON/OFF
		SPEED LIMIT	1~18
		WAITING TIME	0~180
		NEXT POSITION	NEXT TIME
			RETURN
			GROUP – 1
			GROUP – 2
			GROUP – 3
			GROUP – 4
			GROUP – 5
			GROUP – 6
		GROUP – 7	
		GROUP – 8	
		ESCAPE	
17. ESCAPE			
9. Group – 8	1-16	PRESET NO.	1~50
		ITEM ON/OFF	ON/OFF
		SPEED LIMIT	1~18
		WAITING TIME	0~180
		NEXT POSITION	NEXT TIME
			RETURN
			GROUP – 1
			GROUP – 2
			GROUP – 3
			GROUP – 4
			GROUP – 5
			GROUP – 6
		GROUP – 7	
		GROUP – 8	
		ESCAPE	
17. ESCAPE			

	10. Escape				
3. Video Output	1. Selection Way	BY MENU			
		BY SWITCH			
	2. Video Mode	1080i60			
		1080i50			
		720p60			
		720p50			
		1080p30			
		1080p25			
		1080p60			
	1080p50				
3. CV Mode	16:9				
	4:3				
4. Pattern	OFF				
	COLOR BAR				
5. Escape					
4. Remote Control	1. PAN/TILT Reverse	OFF			
		P			
		T			
		P+T			
	2. Remote Source	RS-422, SW (Configurable using bottom DIP switch ONLY)			
	3. Set RS-422	CAMERA ID MODE	BY MENU		
			BY SWITCH		
		CAMERA ID	1~7		
		RS-422 BAUD RATE	9600		
			19200		
			38400		
	115200				
	ESCAPE				
	4. Set DVIP	DVIP BAUD RATE	9600		
			19200		
			38400		
			57600		
115200					
ESCAPE					
5. Set IR	IR GROUP ID (Configurable using rear DIP switch ONLY)	CAM1~4			
	ESCAPE				
6. PTZ INFO. Output	ON/OFF				
7. Escape					
5. System	1. Display	P/T/Z OSD	PAN OSD	ON/OFF	
			TILT OSD	ON/OFF	
			ZOOM OSD	ON/OFF	
			ESCAPE		
		DEBUG OSD	DEBUG IR OSD	ON/OFF	
			DEBUG CAM. OSD	ON/OFF	
			DEBUG RS-422 OSD	ON/OFF	
			DEBUG DVIP OSD	ON/OFF	
			DEBUG M_CTL OSD	ON/OFF	
			DEBUG REG OSD	ON/OFF	
DEBUG FRAME NO	ON/OFF				

			PWR ON CAM TEST	ON/OFF	
			ESCAPE		
			PAN torque ADJ	LOW	
				+1~+5	
			TILT torque ADJ	LOW	
				+1~+5	
			PAN offset ADJ	+5.4	
				+4.5	
				+3.6	
				+2.7	
				+1.8	
				+0.9	
				0.0	
				-0.9	
				-1.8	
				-2.7	
				-3.6	
				-4.5	
				-5.4	
				TILT offset ADJ	+6.3
			+5.4		
			+4.5		
			+3.6		
			+2.7		
			+1.8		
			+0.9		
			0.0		
			-0.9		
			-1.8		
			-2.7		
			-3.6		
			-4.5		
-5.4					
-6.3					
ESCAPE					
3. Tally Light	RED/GREEN				
	GREEN				
	RED				
	OFF				
4. Reset All	YES/NO				
5. Update Software	SW VERSION	ESCAPE			
	MB CPU	V01.17i			
	MB FPGA	V017			
	MCTL CPU	V00.42			
	UPDATE ALL	YES/NO			
ESCAPE					
6. Escape					
6. Camera Set (ADVANCE)	1. Camera Name	NAME			
		DISPLAY SW	ON/OFF		
		POSITION	UPPER LEFT		
			LOWER LEFT		
			UPPER RIGHT		
			LOWER RIGHT		
		ESCAPE			

	2. Mirror	H+V			
		V			
		H			
		OFF			
	3. White Balance	MODE	AWB (AUTO)		
			AWC (ONE PUSH)		
			MWB (MANUAL)		
			3200K (INDOOR)		
			6500K (OUTDOOR)		
		4200K (FLUO)			
		SMART ATW (Enabled in AWB (AUTO) mode)	OFF		
	MWB RED COMPONENT	0~128~255			
	MWB BLUE COMPONENT	0~128~255			
	ESCAPE				
	4. Focus	FOCUS MODE	AUTO		
			MANUAL		
		AF SENSITIVITY	LOW		
			NORMAL		
		FOCUS SPEED	1		
			2		
	3				
	4				
	ESCAPE				
	5. Iris	IRIS MODE	AUTO		
			MANUAL		
		Manual IRIS LEVEL	F1.6		
			F2.0		
			F2.4		
			F2.8		
			F3.4		
			F4		
			F4.8		
F5.6					
F6.8					
F8					
F9.6					
F11					
F14					
CLOSE					
ESCAPE					
6. AGC	DAY (COLOR) AGC	AGC MODE	ON/OFF		
		MANUAL GAIN	0dB~GAIN LIMIT		
		GAIN LIMIT	9 dB		
			12 dB		
			15 dB		
			18 dB		
			21 dB		
			24 dB		
			27 dB		
			30 dB		

				33 dB		
				36 dB		
				39 dB		
			ESCAPE			
			DNR	DNR(AT AGC ON)	ON	
					OFF	
				DNR LEVEL	0	
					1	
					2	
			ESCAPE			
	7. Fog Correction	FOG CORRECTION	OFF/ON			
		ESCAPE				
	8. Aperture	0~15				
	9. Vivid Effect	0~14				
	10. Pedestal Effect	0~14				
	11. Backlight Correction	OFF/ON (This option is enabled after AGC is turned on)				
12. Day/Night Mode	B/W					
	COLOR					
13. Shutter	SHUTTER SPEED	NORMAL				
		1/100				
		1/125				
		1/250				
		1/500				
	1/1000					
ESCAPE						
14. Gamma Mode	STANDARD MODE1 (WD OFF) MODE2 (WD OFF) MODE3 (WD OFF) MODE4 (WD OFF)					
15. WD Mode	ON/OFF (This option is enabled after AGC is turned on)					
16. Escape						
7. Reset P/T/Z	Reset P/T/Z	YES/NO				
8. Escape						

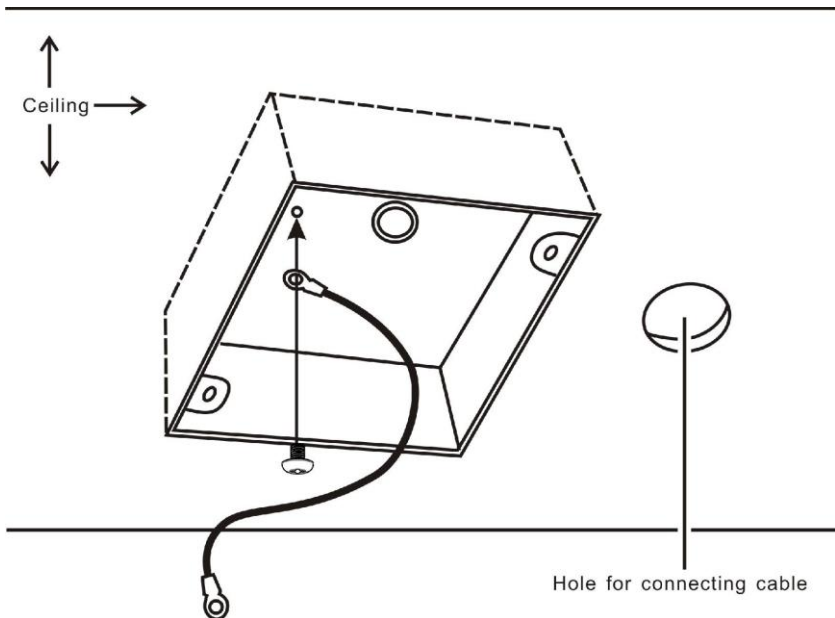
7. Instruction for installation

7.1 Step 1 – DIP Switch Setting

Set the Mirror option to H+V mode.

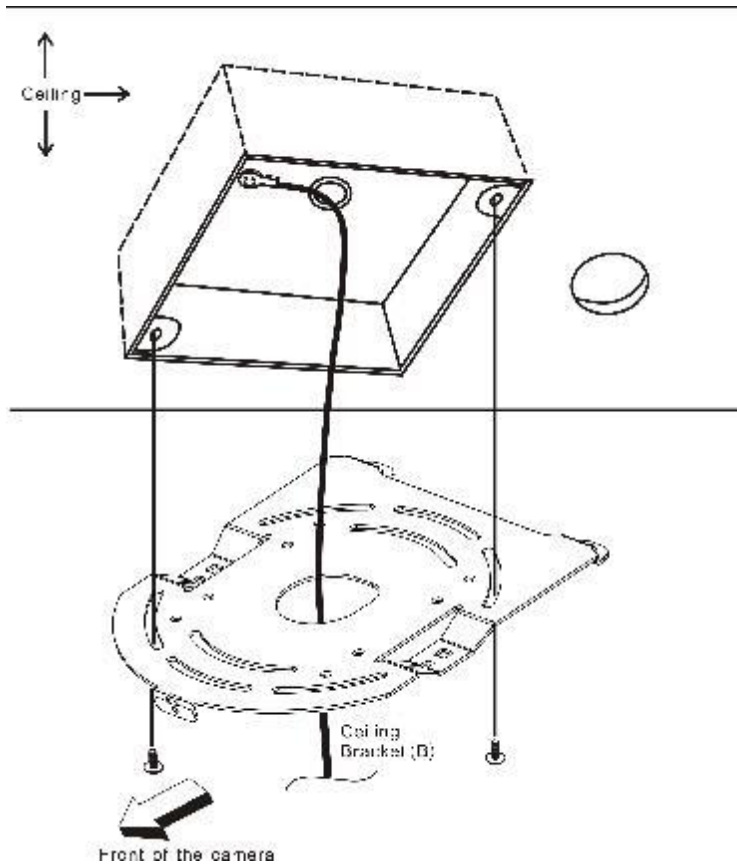
7.2 Step 2 – One End of Mounting Wire

Attach the mounting wire to the junction box mounted on the ceiling by screwing one end of the mounting wire into a screw hole in the junction box with a screw (not supplied) as shown in the diagram below.



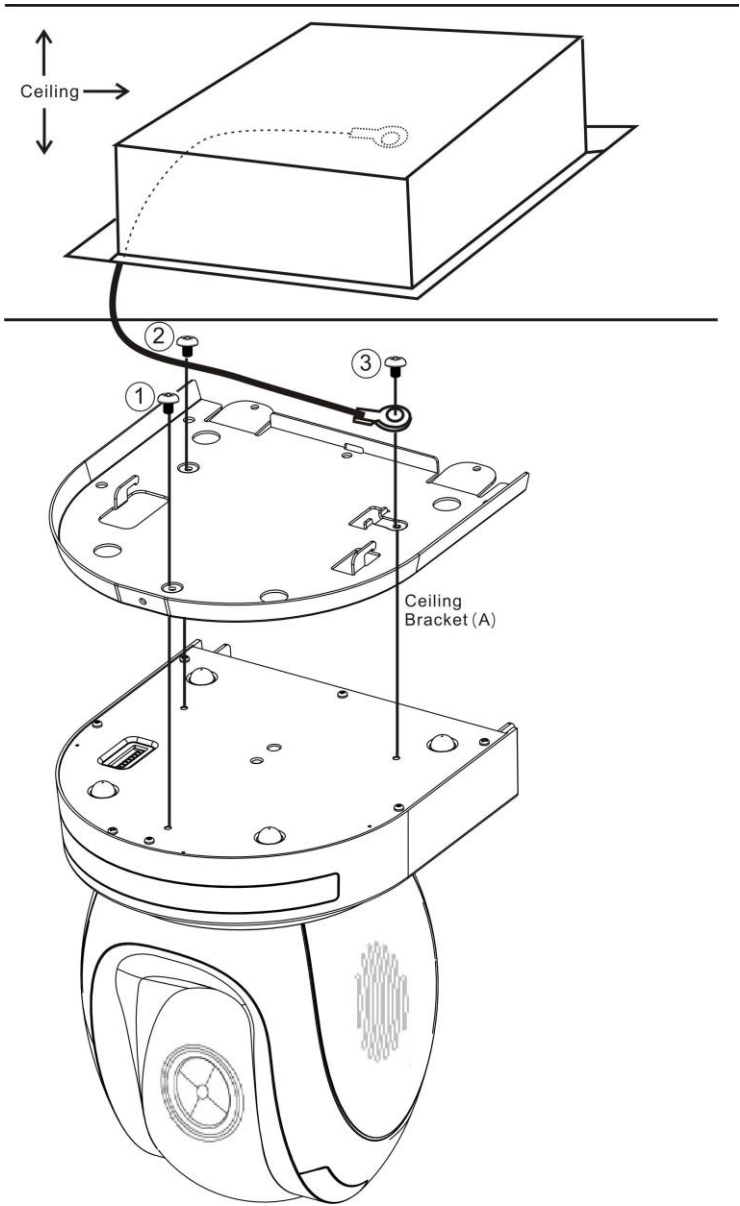
7.3 Step 3 – Ceiling Bracket (B)

- Again, as illustrated in the diagram below, screw a ceiling bracket (B) into the junction box mounted on the ceiling.
- Make sure the screw holes of the ceiling bracket (B) are aligned with the holes on the junction box.

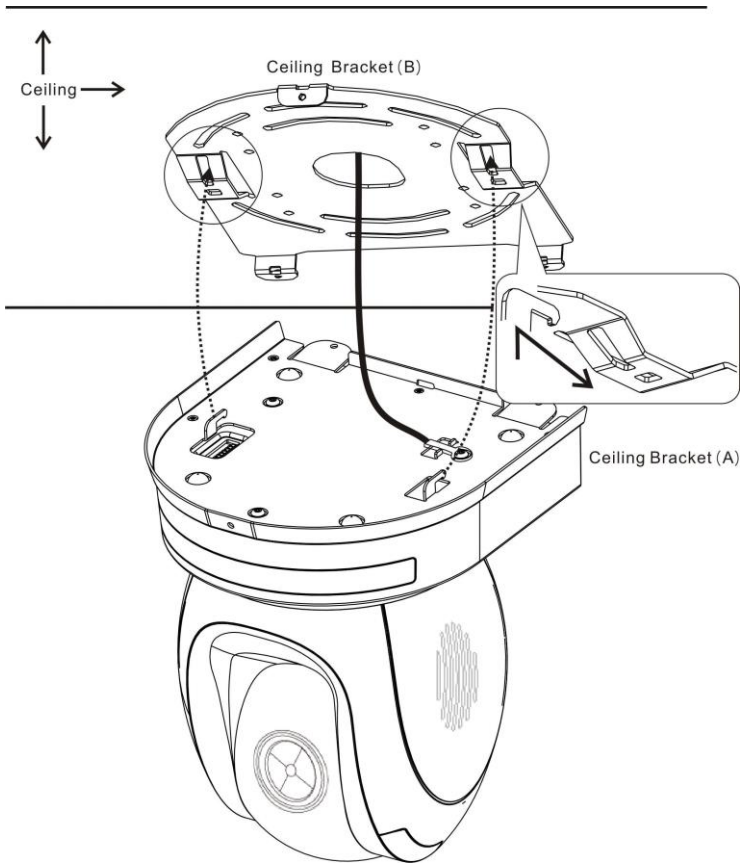


7.4 Step 4 – Ceiling Bracket (A) and Camera

- Screw ceiling bracket (A) into the bottom of the camera using three screws.
- Position the screws as shown in the diagram below
- Align the screw holes on the bottom of the camera with those in the ceiling bracket.
- Insert the screws into the corresponding screw holes in the numbered order
- The other end of the mounting wire is screwed into the screw hole #3.
- Securely tighten all three screws

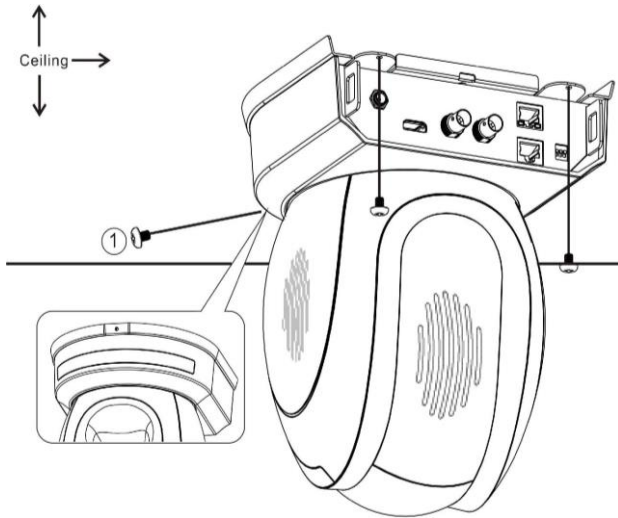


7.5 Step 5 – Mount Camera to Ceiling



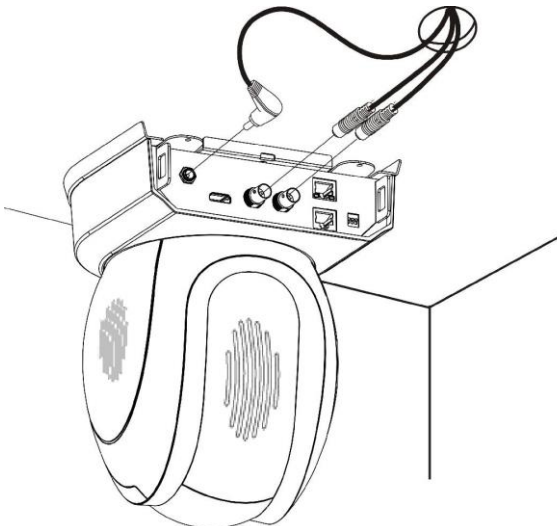
7.6 Step 6 – Screw to Secure Camera

Secure the camera by screwing three screws into the corresponding screw holes as shown in the diagram below.



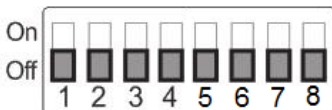
7.7 Step 7 – Cable Connection

Connect the cables to the connectors located on the rear of the camera.



8. DIP Switch Settings

8.1 RS-422



Setting	VISCA ID
(1,2,3) = (ON,OFF,OFF)	VISCA-ID 1
(1,2,3) = (OFF,ON ,OFF)	VISCA-ID 2
(1,2,3) = (ON ,ON ,OFF)	VISCA-ID 3
(1,2,3) = (OFF,OFF,ON)	VISCA-ID 4
(1,2,3) = (ON ,OFF,ON)	VISCA-ID 5
(1,2,3) = (OFF,ON ,ON)	VISCA-ID 6
(1,2,3) = (ON ,ON ,ON)	VISCA-ID 7
Setting	Remote Source
(4) = (ON/OFF)	DVIP/RS422
Setting	Resolution
(5,6,7) = (OFF,OFF,OFF)	1920x1080i60
(5,6,7) = (ON,OFF,OFF)	1920x1080i50
(5,6,7) = (OFF,ON,OFF)	1280x720p60
(5,6,7) = (ON,ON,OFF)	1280x720p50
(5,6,7) = (OFF,OFF,ON)	1920x1080p30
(5,6,7) = (ON,OFF,ON)	1920x1080p25
(5,6,7) = (OFF,ON,ON)	1920x1080p60
(5,6,7) = (ON,ON,ON)	1920x1080p50
Setting	Remote Source
(8) = (ON/OFF)	ON = video mode selected by DIP switch only OFF = video mode selected by menu

8.2 IRID



Setting	Function Descriptions
(1,2) = (OFF,OFF)	CAM1 (IR)
(1,2) = (ON,OFF)	CAM2 (IR)
(1,2) = (OFF,ON)	CAM3 (IR)
(1,2) = (ON,ON)	CAM4 (IR)
* Keep the switch (3,4)=(OFF,OFF)	

9. DVIP Control Protocol

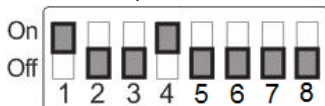
9.1 DVIP Setup

DVIP is a user interface that allows the user to control multiple PTC-150 cameras remotely. The DVIP setup procedure is outlined as follows:

1. Locate the DIP switch at the bottom of the PTC-150 camera



2. Set DIP Switch positions 1 and 4 to ON



3. Plug in the power cord into the PTC-150 and connect it to a monitor via the HDMI interface.
4. Open the main menu by pressing the menu button on the remote control and select option 4 "Remote Control"

```
[MAIN MENU]
1: CAMERA SET (NORMAL)
2: MEMORY
3: VIDEO OUTPUT
4: REMOTE CONTROL
5: SYSTEM
6: CAMERA SET (ADVANCE)
7: RESET P/T/Z
8: ESCAPE
```




5. Select "SET DVIP" to configure the DVIP port

```
[REMOTE CONTROL]
1: PAN/TILT REVERSE: P+T
2: REMOTE SOURCE: DVIP, SW
3: SET RS422
4: SET DVIP
5: SET IR
6: PTZ INFO. OUTPUT: OFF
7: ESCAPE
```

6. Set the DVIP baud rate to to 115200

```
[SET DVIP]
1: DVIP BAUDRATE: 115200
2: ESCAPE
```

7. Connect your PC and the PTC-150 to an Ethernet router, which should automatically assign an IP to the PTC-150
8. On the PC, open the DVIP Configuration Tool by double clicking “DVIP_ConfigureTools.exe”. **The DVIP Configuration Tool can be obtained from the Datavideo local distributors.**

Name	Date modified	Type	Size
 DVIP_ConfigureTools.exe	7/14/2014 5:51 PM	Application	
 mingwm10.dll	5/28/2010 1:57 AM	Application extens...	
 wxmsw28u_gcc_custom.dll	11/28/2013 5:20 PM	Application extens...	

9. After the DVIP Configuration Tool is opened, select your network interface card as the Interface and click the “Search” button



10. On the DVIP Device List, you will then be able to see the Device Name, MAC address and IP address of the connected PTC-150.

Interface : Realtek PCIe GBE Family Controller

DVIP Device List :

DHCP_Off	"DVIP-HostName"	00-07-36-06-03-B5	192.168.1.46
----------	-----------------	-------------------	--------------

Search **Reset**

Host Name : DVIP-HostName Max 15 Characters

Obtain IP address automatically.

Use the following IP address.

IP address : 192.168.100.100

Subnet mask : 255.255.255.0

Default gateway : 192.168.100.1

Primary DNS Server address : 8.8.8.8

Secondary DNS Server address : 8.8.4.4

Apply **About** **Quit**

11. After the network setting (True Static and DHCP) and the host name are configured, click the "Apply" button
12. The user will be prompted if the setup is successful.
13. Reboot the PTC-150 to apply the new settings.

9.2 DVIP Control Operation Guide

9.2.1 Physical Layer

- Control Interface: Ethernet
- Communication Speed: 10/100Mbps
- Control Protocol: TCP/IP

9.2.2 General Connection Information

- By default, the DVIP is configured to operate in DHCP mode. User is allowed to re-configure to static IP address.
- TCP/IP Control port numbers
TCP port: 5002
UDP port: 5002

9.2.3 Packet Data

Control Command Packet (TCP)

Byte (8 bits)	Descriptions
0	Packet Length High Byte
1	Packet Length Low Byte
2	Command_Data [0]
...	...
513	Command_Data [511]

Broadcast Packet

Byte (8 bits)	Descriptions
0	Packet Length High Byte
1	Packet Length Low Byte
2	0x80
3	Command
4	Parameter 1
...	...
251	Parameter 248

Broadcast Command List – Request TCP/IP information

Command Issue to DVIP device

Request TCP/IP information, include DHCP mode, DHCP Host name, IP address, Netmask, MAC address, Gateway, Primary DNS, Secondary DNS	
Command	0x00
Parameter 1	0x45
Parameter 2	0x54
Parameter 3	0x48
Parameter 4	0x5F
Parameter 5	0x52
Parameter 6	0x45
Parameter 7	0x51

Command Return from DVIP device

Length	Descriptions
1 Byte	Data Length High Byte
1 Byte	Data Length Low Byte
1 Byte	0x80
1 Byte	0x00
1 Byte	DHCP; 0: Disable; 1: Enable
16 Bytes	DHCP Host name (15 bytes max) + Null (0x00) terminated
6 Bytes	MAC Address
4 Bytes	IP Address
4 Bytes	Netmask
4 Bytes	Gateway
4 Bytes	Primary DNS address
4 Bytes	Secondary DNS address

Broadcast Command List – Request specific DVIP device firmware revision

Command Issue to DVIP device

Request DVIP Firmware Revision	
Command	0x01
Parameter 1	DVIP MAC address [0]
Parameter 2	DVIP MAC address [1]
Parameter 3	DVIP MAC address [2]
Parameter 4	DVIP MAC address [3]
Parameter 5	DVIP MAC address [4]
Parameter 6	DVIP MAC address [5]
Parameter 7	0x46
Parameter 8	0x57
Parameter 9	0x56
Parameter 10	0x45
Parameter 11	0x52
Parameter 12	0x5F
Parameter 13	0x52
Parameter 14	0x45
Parameter 15	0x51

Command Return from DVIP device

Length	Descriptions
1 Byte	0x00 (Data Length High Byte)
1 Byte	0x06 (Data Length Low Byte)
1 Byte	0x80
1 Byte	0x01
1 Byte	Firmware Revision Major Number
1 Byte	Firmware Revision Minor Number

Broadcast Command List – Set DHCP Mode

Command Issue to DVIP device

Set DHCP Mode	
Command	0x02
Parameter 1	DVIP MAC address [0]
Parameter 2	DVIP MAC address [1]
Parameter 3	DVIP MAC address [2]
Parameter 4	DVIP MAC address [3]
Parameter 5	DVIP MAC address [4]
Parameter 6	DVIP MAC address [5]
Parameter 7	0x53
Parameter 8	0x45
Parameter 9	0x54
Parameter 10	0x5F
Parameter 11	0x44
Parameter 12	0x48
Parameter 13	0x43
Parameter 14	0x50
Parameter 15	0x4D
Parameter 16	0x4F
Parameter 17	0x44
Parameter 18	0x45
Parameter 19	0x00: Disable; 0x01: Enable

Command Return from DVIP device

Length	Descriptions
1 Byte	0x00 (Data Length High Byte)
1 Byte	0x06 (Data Length Low Byte)
1 Byte	0x80
1 Byte	0x02
1 Byte	0x06 (ACK) or 0x15 (NACK)

Broadcast Command List – Set IP Address

Command Issue to DVIP device

Set IP Address	
Command	0x03
Parameter 1	DVIP MAC address [0]
Parameter 2	DVIP MAC address [1]
Parameter 3	DVIP MAC address [2]
Parameter 4	DVIP MAC address [3]
Parameter 5	DVIP MAC address [4]
Parameter 6	DVIP MAC address [5]
Parameter 7	0x53
Parameter 8	0x45
Parameter 9	0x54
Parameter 10	0x5F
Parameter 11	0x49
Parameter 12	0x50
Parameter 13	0x41

Parameter 14	0x44
Parameter 15	0x52
Parameter 16	IP_Address [0]
Parameter 17	IP_Address [1]
Parameter 18	IP_Address [2]
Parameter 19	IP_Address [3]
Parameter 20	Gateway [0]
Parameter 21	Gateway [1]
Parameter 22	Gateway [2]
Parameter 23	Gateway [3]

Command Return from DVIP device

Length	Descriptions
1 Byte	0x00 (Data Length High Byte)
1 Byte	0x06 (Data Length Low Byte)
1 Byte	0x80
1 Byte	0x03
1 Byte	0x06 (ACK) or 0x15 (NACK)

Broadcast Command List – Reset to Factory Default

Command Issue to DVIP device

Reset to Factory Default	
Command	0x04
Parameter 1	DVIP MAC address [0]
Parameter 2	DVIP MAC address [1]
Parameter 3	DVIP MAC address [2]
Parameter 4	DVIP MAC address [3]
Parameter 5	DVIP MAC address [4]
Parameter 6	DVIP MAC address [5]
Parameter 7	0x52
Parameter 8	0x45
Parameter 9	0x53
Parameter 10	0x45
Parameter 11	0x54

Command Return from DVIP device

Length	Descriptions
1 Byte	0x00 (Data Length High Byte)
1 Byte	0x06 (Data Length Low Byte)
1 Byte	0x80
1 Byte	0x04
1 Byte	0x06 (ACK) or 0x15 (NACK)

Broadcast Command List – Get Device Model Number

Command Issue to DVIP device

Get Device Model Number	
Command	0x05
Parameter 1	DVIP MAC address [0]
Parameter 2	DVIP MAC address [1]

Parameter 3	DVIP MAC address [2]
Parameter 4	DVIP MAC address [3]
Parameter 5	DVIP MAC address [4]
Parameter 6	DVIP MAC address [5]
Parameter 7	0x47
Parameter 8	0x45
Parameter 9	0x54
Parameter 10	0x5F
Parameter 11	0x4D
Parameter 12	0x4F
Parameter 13	0x44
Parameter 14	0x45
Parameter 15	0x4C
Parameter 16	0x5F
Parameter 17	0x4E
Parameter 18	0x41
Parameter 19	0x4D
Parameter 20	0x45

Command Return from DVIP device

Length	Descriptions
1 Byte	0x00 (Data Length High Byte)
1 Byte	0x06 (Data Length Low Byte)
1 Byte	0x80
1 Byte	0x04
16 Bytes	Device Model Number is 16 Bytes maximum; use null padding (0x00) if it is less than 16 bytes.

UDP Packet

Byte (8 bits)	Descriptions
0	Packet Length High Byte
1	Packet Length Low Byte
2	0x81
3	Command
4	Parameter 1
...	...
251	Parameter 248

UDP Command List – Request TCP/IP information

Command Issue to DVIP device

Request TCP/IP information, include DHCP mode, DHCP Host name, IP address, Netmask, MAC address, Gateway, Primary DNS, Secondary DNS	
Command	0x00
Parameter 1	0x45
Parameter 2	0x54
Parameter 3	0x48
Parameter 4	0x5F
Parameter 5	0x52

Parameter 6	0x45
Parameter 7	0x51

Command Return from DVIP device

Length	Descriptions
1 Byte	Data Length High Byte
1 Byte	Data Length Low Byte
1 Byte	0x80
1 Byte	0x00
1 Byte	DHCP; 0: Disable; 1: Enable
16 Bytes	DHCP Host name (15 bytes max) + Null (0x00) terminated
6 Bytes	MAC Address
4 Bytes	IP Address
4 Bytes	Netmask
4 Bytes	Gateway
4 Bytes	Primary DNS address
4 Bytes	Secondary DNS address

UDP Command List – Request specific DVIP device firmware revision

Command Issue to DVIP device

Request DVIP Firmware Revision	
Command	0x01
Parameter 1	0x46
Parameter 2	0x57
Parameter 3	0x56
Parameter 4	0x45
Parameter 5	0x52
Parameter 6	0x5F
Parameter 7	0x52
Parameter 8	0x45
Parameter 9	0x51

Command Return from DVIP device

Length	Descriptions
1 Byte	0x00 (Data Length High Byte)
1 Byte	0x06 (Data Length Low Byte)
1 Byte	0x80
1 Byte	0x01
1 Byte	Firmware Revision Major Number
1 Byte	Firmware Revision Minor Number

UDP Command List – Set DHCP Mode

Command Issue to DVIP device

Set DHCP Mode	
Command	0x02
Parameter 1	0x53
Parameter 2	0x45
Parameter 3	0x54

Parameter 4	0x5F
Parameter 5	0x44
Parameter 6	0x48
Parameter 7	0x43
Parameter 8	0x50
Parameter 9	0x4D
Parameter 10	0x4F
Parameter 11	0x44
Parameter 12	0x45
Parameter 13	0x00: Disable; 0x01: Enable

Command Return from DVIP device

Length	Descriptions
1 Byte	0x00 (Data Length High Byte)
1 Byte	0x06 (Data Length Low Byte)
1 Byte	0x81
1 Byte	0x02
1 Byte	0x06 (ACK) or 0x15 (NACK)

UDP Command List – Set IP Address & Gateway Address

Command Issue to DVIP device

Set IP Address	
Command	0x03
Parameter 1	0x53
Parameter 2	0x45
Parameter 3	0x54
Parameter 4	0x5F
Parameter 5	0x49
Parameter 6	0x50
Parameter 7	0x41
Parameter 8	0x44
Parameter 9	0x52
Parameter 10	IP_Address [0]
Parameter 11	IP_Address [1]
Parameter 12	IP_Address [2]
Parameter 13	IP_Address [3]
Parameter 14	Gateway [0]
Parameter 15	Gateway [1]
Parameter 16	Gateway [2]
Parameter 17	Gateway [3]

Command Return from DVIP device

Length	Descriptions
1 Byte	0x00 (Data Length High Byte)
1 Byte	0x05 (Data Length Low Byte)
1 Byte	0x81
1 Byte	0x03
1 Byte	0x06 (ACK) or 0x15 (NACK)

UDP Command List – Reset to Factory Default

Command Issue to DVIP device

Reset to Factory Default	
Command	0x04
Parameter 1	0x52
Parameter 2	0x45
Parameter 3	0x53
Parameter 4	0x45
Parameter 5	0x54

Command Return from DVIP device

Length	Descriptions
1 Byte	0x00 (Data Length High Byte)
1 Byte	0x06 (Data Length Low Byte)
1 Byte	0x81
1 Byte	0x04
1 Byte	0x06 (ACK) or 0x15 (NACK)

UDP Command List – Set DHCP Host Name

Command Issue to DVIP device

Set DHCP Host Name	
Command	0x09
Parameter 1	0x53
Parameter 2	0x45
Parameter 3	0x54
Parameter 4	0x5F
Parameter 5	0x44
Parameter 6	0x48
Parameter 7	0x43
Parameter 8	0x50
Parameter 9	0x4E
Parameter 10	0x41
Parameter 11	0x4D
Parameter 12	0x45
Parameter 13...	Name (ASCII), 15 bytes Max.
Parameter	Null (0x00) terminated

Command Return from DVIP device

Length	Descriptions
1 Byte	0x00 (Data Length High Byte)
1 Byte	0x05 (Data Length Low Byte)
1 Byte	0x81
1 Byte	0x09
1 Byte	0x06 (ACK) or 0x15 (NACK)

UDP Command List – Set Netmask

Command Issue to DVIP device

Set Netmask	
Command	0x0B
Parameter 1	0x53
Parameter 2	0x45
Parameter 3	0x54
Parameter 4	0x5F
Parameter 5	0x4E
Parameter 6	0x45
Parameter 7	0x54
Parameter 8	0x4D
Parameter 9	0x41
Parameter 10	0x53
Parameter 11	0x4B
Parameter 12	Net_Mask [0]
Parameter 13	Net_Mask [1]
Parameter 14	Net_Mask [2]
Parameter 15	Net_Mask [3]

Command Return from DVIP device

Length	Descriptions
1 Byte	0x00 (Data Length High Byte)
1 Byte	0x05 (Data Length Low Byte)
1 Byte	0x81
1 Byte	0x0B
1 Byte	0x06 (ACK) or 0x15 (NACK)

UDP Command List – Set Gateway Address

Command Issue to DVIP device

Set Gateway Address	
Command	0x0C
Parameter 1	0x53
Parameter 2	0x45
Parameter 3	0x54
Parameter 4	0x5F
Parameter 5	0x47
Parameter 6	0x41
Parameter 7	0x54
Parameter 8	0x45
Parameter 9	0x57
Parameter 10	0x41
Parameter 11	0x59
Parameter 12	Gateway [0]
Parameter 13	Gateway [1]
Parameter 14	Gateway [2]
Parameter 15	Gateway [3]

Command Return from DVIP device

Length	Descriptions
1 Byte	0x00 (Data Length High Byte)
1 Byte	0x05 (Data Length Low Byte)
1 Byte	0x81
1 Byte	0x0C
1 Byte	0x06 (ACK) or 0x15 (NACK)

UDP Command List – Set Primary DNS Address

Command Issue to DVIP device

Set Gateway Address	
Command	0x0D
Parameter 1	0x53
Parameter 2	0x45
Parameter 3	0x54
Parameter 4	0x5F
Parameter 5	0x50
Parameter 6	0x52
Parameter 7	0x49
Parameter 8	0x44
Parameter 9	0x4E
Parameter 10	0x53
Parameter 11	Primary_DNS_IP [0]
Parameter 12	Primary_DNS_IP [1]
Parameter 13	Primary_DNS_IP [2]
Parameter 14	Primary_DNS_IP [3]

Command Return from DVIP device

Length	Descriptions
1 Byte	0x00 (Data Length High Byte)
1 Byte	0x05 (Data Length Low Byte)
1 Byte	0x81
1 Byte	0x0D
1 Byte	0x06 (ACK) or 0x15 (NACK)

UDP Command List – Set Secondary DNS Address

Command Issue to DVIP device

Set Gateway Address	
Command	0x0E
Parameter 1	0x53
Parameter 2	0x45
Parameter 3	0x54
Parameter 4	0x5F
Parameter 5	0x53
Parameter 6	0x45
Parameter 7	0x43
Parameter 8	0x44
Parameter 9	0x4E
Parameter 10	0x53

Parameter 11	Secondary_DNS_IP [0]
Parameter 12	Secondary_DNS_IP [1]
Parameter 13	Secondary_DNS_IP [2]
Parameter 14	Secondary_DNS_IP [3]

Command Return from DVIP device

Length	Descriptions
1 Byte	0x00 (Data Length High Byte)
1 Byte	0x05 (Data Length Low Byte)
1 Byte	0x81
1 Byte	0x0E
1 Byte	0x06 (ACK) or 0x15 (NACK)

UDP Command List – Initial DVIP Configuration

Command Issue to DVIP device

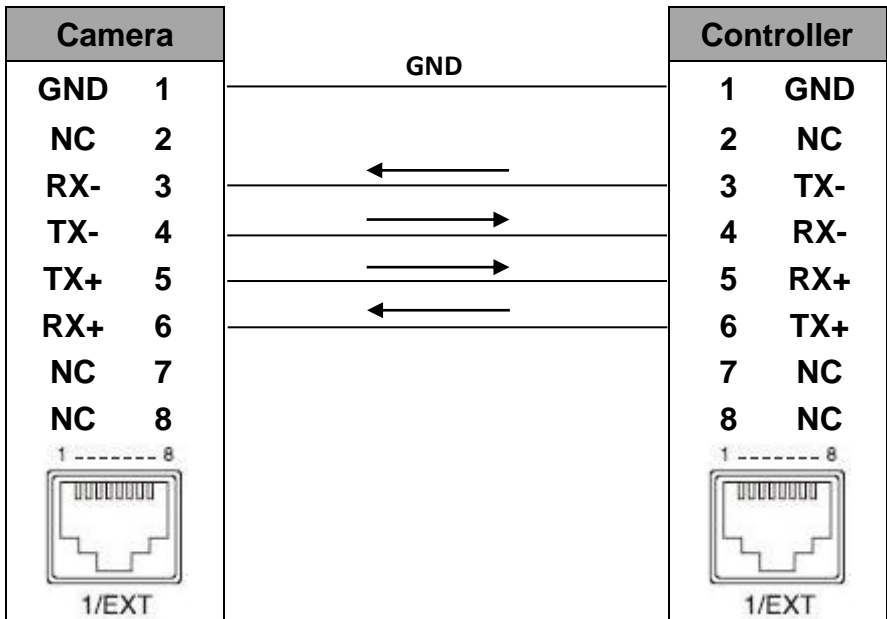
Initial DVIP Configuration	
Command	0x0F
Parameter 1	0x49
Parameter 2	0x4E
Parameter 3	0x49
Parameter 4	0x54
Parameter 5	0x5F
Parameter 6	0x45
Parameter 7	0x32
Parameter 8	0x50
Parameter 9	DHCP_Mode
Parameter 10	DHCP_Host_Name [0-14] (ASCII), 15 Bytes Max.
Parameter N	Null (0x00)
Parameter N+1	MAC_Address [0-3]
Parameter N+5	IP_Address [0-3]
Parameter N+9	Gateway_IP [0-3]
Parameter N+13	Net_Mask [0-3]
Parameter N+17	Primary_DNS_IP [0-3]
Parameter N+21	Secondary_DNS_IP [0-3]

Command Return from DVIP device

Length	Descriptions
1 Byte	0x00 (Data Length High Byte)
1 Byte	0x05 (Data Length Low Byte)
1 Byte	0x81
1 Byte	0x0F
1 Byte	0x06 (ACK) or 0x15 (NACK)

10. RS-422 Control Protocol

10.1 RS-422 PIN Descriptions



10.2 RS-422 Control Operation Guide

10.2.1 Overview of VISCA

In VISCA, the side outputting commands, for example, a computer is called the controller, while the side receiving the commands, such as a PTC-150, is called the peripheral device. The PTC-150 serves as a peripheral device in VISCA. In VISCA, up to seven peripheral devices like the BRC-300/P can be connected to one controller using communication conforming to the RS-232C/RS-422 standard. The parameters of RS-232C/RS-422 are as follows.

- Communication speed: 38400 bps
- Data bits: 8
- Start bit: 1
- Stop bit: 1
- Non parity

Flow control using XON/XOFF and RTS/CTS, etc., is not supported.

The address of the controller is fixed at 0.

The addresses of peripheral devices are as follows.

When the address of the controller is fixed at 0

The addresses of the peripheral devices are 1, 2, 3... in order, starting from the one nearest the controller. The address of the peripheral device is set by sending address commands during the initialization of the network.

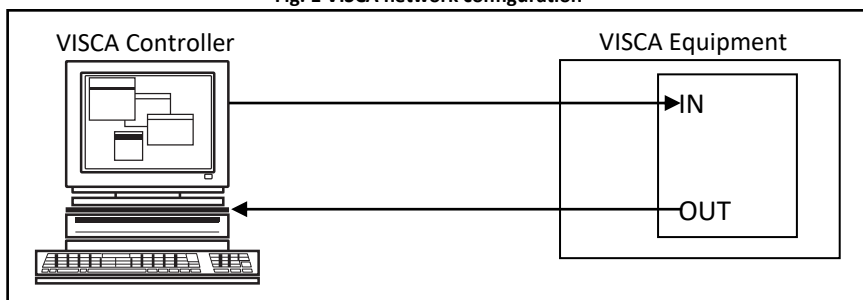
When the address of the controller is fixed at 1 through 7

The addresses of the peripheral devices will be set on a pre-selected number. Within a single system, the same number can be used only once. If an address-switch number other than 0 is to be used, change the PTC-150 address switch to a different number beforehand.

Each VISCA device has a VISCA IN and VISCA OUT connector.

Set the DTR input (the S output of the controller) of VISCA IN to H when controlling VISCA equipment from the controller.

Fig. 1 VISCA network configuration



10.2.2 VISCA Communication Specifications

10.2.2.1 VISCA Packet Structure

The basic unit of VISCA communication is called a packet (Fig. 2). The first byte of the packet is called the header and comprises the sender's and receiver's addresses. For example, the header of the packet sent to the PTC-150 assigned address 1 from the controller (address 0) is hexadecimal 81H. The packet sent to the PTC-150 assigned address 2 is 82H. In the command list, as the header is 8X, input the address of the PTC-150 at X. The header of the reply packet from the PTC-150 assigned address 1 is 90H. The packet from the PTC-150 assigned address 2 is A0H.

Some of the commands for setting PTC-150 units can be sent to all devices at one time (broadcast). In the case of broadcast, the header should be hexadecimal 88H.

When the terminator is FFH, it signifies the end of the packet.

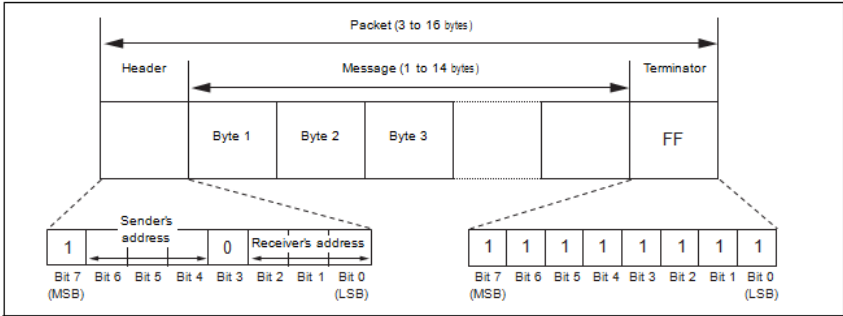


Fig. 2 Packet structure

Note

Fig. 2 shows the packet structure, while Fig. 3 shows the actual waveform. Data flow will take place with the LSB first.

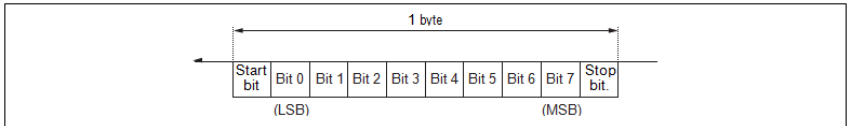
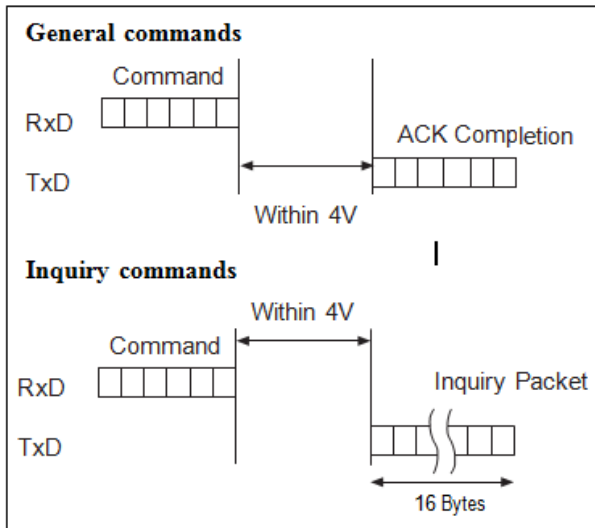


Fig. 3 Actual waveform for 1 byte

10.2.2.2 Timing Chart



As VISCA Command processing can only be carried out one time in a Vertical cycle, it takes the maximum 1V cycle time for an ACK/Completion to be returned. If the Command ACK/Completion communication time can be cut shorter than the 1V cycle time, then every 1V cycle can receive a Command.

From this point, if 2 or more commands in a row are to be sent, wait for the first command (for normal commands, an ACK or an error message, for query commands, an Inquiry Packet) to be carried out before sending the next one.

10.2.2.3 Command and inquiry

- **Command**

Sends operational commands to the PTC-150.

- **Inquiry**

Used for inquiring about the current state of the PTC-150.

	Command Packet	Note
Inquiry	8X QQ RR ... FF	QQ ¹⁾ = Command/Inquiry RR ²⁾ = category code
¹⁾ QQ = 01 (Command), 09 (Inquiry) ²⁾ RR = 00 (Interface), 04 (camera 1), 06 (Pan/Tilter)		

X = 1 to 7: PTC-150 address

10.2.2.4 Responses for commands and inquiries

- **ACK message**

Returned by the PTC-150 when it receives a command. No ACK message is returned for inquiries.

- **Completion message**

Returned by the PTC-150 when execution of commands or inquiries is completed. In the case of inquiry commands, it will contain reply data for the inquiry after the 3rd byte of the packet. If the ACK message is omitted, the socket number will contain a 0.

	Reply Packet	Note
Ack	X0 4Y FF	Y = socket number
Completion (Commands)	X0 5Y FF	Y = socket number
Completion (Inquiries)	X0 5Y ... FF	Y = socket number
X = 9 to F: PTC-150 address + 8		

- **Error message**

When a command or inquiry command could not be executed or failed, an error message is returned.

Error Packet	Description
X0 6Y 01 FF	Message length error
X0 6Y 02 FF	Syntax error
X0 6Y 03 FF	Command buffer full
X0 6Y 04 FF	Command cancelled
X0 6Y 05 FF	No socket (to be cancelled)
X0 6Y 41 FF	Command not executable
X = 9 to F: PTC-150 address + 8, Y = socket number Socket number = 1 (normal)	

10.2.2.5 Socket number

When command messages are sent to the PTC-150, it is normal to send the next command message after waiting for the completion message or error message to return.

As the completion message or error message also has a socket number, it indicates which command has ended.

The ACK message is not returned for these commands and inquiries, and only the completion message of socket number 0 is returned.

10.2.3 VISCA Device Setting Command

Before starting control of the PTC-150, be sure to send the Address command and the IF_Clear command using the broadcast function.

10.2.3.1 VISCA interface command

- IF_Clear
Clears the command buffers in the PTC-150 and cancels the command currently being executed.

	Command Packet	Reply Packet	Note
IF_Clear	8X 01 00 01 FF	X0 50 FF	
IF_Clear (broadcast)	88 01 00 01 FF	88 01 00 01 FF	
X = 1 to 7: PTC-150 address (For inquiry packet)			
X = 9 to F: PTC-150 address + 8 (For reply packet)			

10.2.4 VISCA Command/ACK Protocol

Command	Command Message	Reply Message	Comments
General Command	81 01 04 38 02 FF (Example)	90 41 FF (ACK)+90 51 FF (Completion) 90 42 FF 90 52 FF	Returns ACK when a command has been accepted, and Completion when a command has been executed.
	81 01 04 38 FF (Example)	90 60 02 FF (Syntax Error)	Accepted a command which is not supported or a command lacking parameters
	81 01 04 38 02 FF (Example)	90 60 03 FF (Command Buffer Full)	There are two commands currently being executed, and the command could not be accepted.
	81 01 04 08 02 FF (Example)	90 61 41 FF (Command Not Executable) 90 62 41 FF	Could not execute the command in the current mode.
Inquiry Command	81 09 04 38 FF (Example)	90 50 02 FF (Completion)	ACK is not returned for the inquiry command.

	81 09 05 38 FF (Example)	90 60 02 FF (Syntax Error)	Accepted an incompatible command.
Address Set	88 30 01 FF	88 30 02 FF	Returned the device address to +1.*
IF_Clear (Broadcast)	88 01 00 01 FF	88 01 00 01 FF	Returned the same command.
IF_Clear (For x)	8x 01 00 01 FF	z0 50 FF (Completion)	ACK is not returned for this command.

*When the address-switch is fixed at 0, the value x in 88 30 0x FF will be indeterminate.

Do not transmit the command (except Address Set, IF_Clear, CAM_POWER), when menu panel shows on the screen. In that case, clear the menu panel first using CAM_Menu Command, and then proceed.

10.2.5 VISCA Camera-Issued Messages

10.2.5.1 ACK/Completion Messages

Command	Command Message	Comments
ACK	z0 4y FF (y: Socket No.)	Returned when the command is accepted
Completion	z0 5y FF (y: Socket No.)	Returned when the command has been executed

z = Device address + 8

10.2.5.2 Error Messages

Command	Command Messages	Comments
Syntax Error	z0 60 02 FF	Returned when the command format is different or when a command with illegal command parameters is accepted.
Command Buffer Full	z0 60 03 FF	Indicates that two sockets are already being used (executing two commands) and the command could not be accepted when received.
No Socket	z0 6y 05 FF (y: Socket No.)	Returned when no command is executed in a socket specified by the cancel command, or when an invalid socket number is specified.
Command Not Executable	z0 6y 41 FF (y: Socket No.)	Returned when a command cannot be executed due to current conditions. For example, when commands controlling the focus manually are received during auto focus.

10.2.6 PTC-150 Commands

10.2.6.1 PTC-150 Command List

Command Set	Command	Command Packet	Comments
AddressSet	Broadcast	88 30 01 FF	Address Set
IF_Clear	Broadcast	88 01 00 01 FF	I/F Clear
CAM_Power	On	8x 01 04 00 02 FF	Power On/Off
	Off	8x 01 04 00 03 FF	
CAM_ZOOM	Stop	8x 01 04 07 00 FF	
	Tele (Standard)	8x 01 04 07 02 FF	
	Wide (Standard)	8x 01 04 07 03 FF	
	Tele (Variable)	8x 01 04 07 2p FF	p (=0: Slow to 7:Fast)
	Wide (Variable)	8x 01 04 07 3p FF	p (=0: Slow to 7:Fast)
	Direct	8x 01 04 47 0p 0q 0r 0s FF	pqrs: Zoom Position*
CAM_Focus	Stop	8x 01 04 08 00 FF	
	Far (Standard)	8x 01 04 08 02 FF	
	Near (Standard)	8x 01 04 08 03 FF	
	Direct	8x 01 04 48 0p 0q 0r 0s FF	pqrs: Focus Position*
	Auto Focus	8x 01 04 38 02 FF	AF ON/OFF
	Manual Focus	8x 01 04 38 03 FF	
	One Push Trigger	8x 01 04 18 01 FF	One Push AF Trigger
CAM_WB	Auto	8x 01 04 35 00 FF	Normal Auto
	Indoor	8x 01 04 35 01 FF	Indoor Mode
	Outdoor	8x 01 04 35 02 FF	Outdoor Mode
	One Push WB	8x 01 04 35 03 FF	One Push WB Mode
	Manual	8x 01 04 35 05 FF	Manual Control Mode
	One Push Trigger	8x 01 04 10 05 FF	One Push WB Trigger
CAM_RGain	Reset	8x 01 04 03 00 FF	Default R Gain setting
	Up	8x 01 04 03 02 FF	
	Down	8x 01 04 03 03 FF	
	Direct	8x 01 04 43 00 00 0p 0q FF	R Gain Direct pq (=00 to FF)
CAM_BGain	Reset	8x 01 04 04 00 FF	Default B Gain setting
	Up	8x 01 04 04 02 FF	
	Down	8x 01 04 04 03 FF	
	Direct	8x 01 04 44 00 00 0p 0q FF	B Gain Direct pq (=00 to FF)
CAM_AE	Full Auto	8x 01 04 39 00 FF	Automatic exposure mode
	Manual	8x 01 04 39 03 FF	Manual control

			mode
	Shutter Priority	8x 01 04 39 0A FF	Shutter priority automatic exposure mode
	Iris Priority	8x 01 04 39 0B FF	Iris priority automatic exposure mode
	Bright	8x 01 04 39 0D FF	Bright mode (Manual)
CAM_Shutter	Reset	8x 01 04 0A 00 FF	Default Shutter setting
	Up	8x 01 04 0A 02 FF	
	Down	8x 01 04 0A 03 FF	
CAM_Iris	Reset	8x 01 04 0B 00 FF	Default Iris Setting
	Up	8x 01 04 0B 02 FF	
	Down	8x 01 04 0B 03 FF	
	Direct	8x 01 04 4B 00 00 0p 0q FF	pg: Iris Position*
CAM_Gain	Reset	8x 01 04 0C 00 FF	Default Gain setting
	Up	8x 01 04 0C 02 FF	
	Down	8x 01 04 0C 03 FF	
	Direct	8x 01 04 4C 00 00 0p 0q FF	pg: Iris Position*
CAM_Backlight	On	8x 01 04 33 02 FF	Back Light ON/OFF
	Off	8x 01 04 33 03 FF	
PTZ_Position	Reset	8x 01 04 3F 00 0p FF	Memory Number p (=0 to 50)
	Set	8x 01 04 3F 01 0p FF	Memory Number p (=0 to 50)
	Recall	8x 01 04 3F 02 0p FF	Memory Number p (=0 to 50)
CAM_Menu	On	8x 01 06 06 02 FF	Menu ON
	Off	8x 01 06 06 03 FF	Menu OFF
Pan-tilt Drive	Up	8x 01 06 01 VV WW 03 01 FF	PanSpeed VV (=01:Slow to 18h:Fast) TiltSpeed WW (=01:Slow to 18h:Fast)
	Down	8x 01 06 01 VV WW 03 02 FF	
	Left	8x 01 06 01 VV WW 01 03 FF	
	Right	8x 01 06 01 VV WW 02 03 FF	
	UpLeft	8x 01 06 01 VV WW 01 01 FF	
	UpRight	8x 01 06 01 VV WW 02 01 FF	
	DownLeft	8x 01 06 01 VV WW 01 02 FF	
	DownRight	8x 01 06 01 VV WW 02 02 FF	
	Stop	8x 01 06 01 VV WW 03 03 FF	
	AbsolutePosition	8x 01 06 02 VV 00 0Y 0Y 0Y 0Y 0Z 0Z 0Z 0Z FF	Speed VV (=01: Slow to 18h:Fast) YYYY: Pan Position* ZZZZ: Tilt Position*
RelativePosition	8x 01 06 03 VV 00 0Y 0Y 0Y 0Y 0Z 0Z 0Z 0Z FF	Speed VV (=01: Slow to 18h:Fast) YYYY: Pan Position* ZZZZ: Tilt Position*	

	Home	8x 01 06 04 FF	
	Reset	8x 01 06 05 FF	
CAM_ImgFlip	On	8x 01 04 66 02 FF	
	Off	8x 01 04 66 03 FF	
Cam_PanReverse	On	8x 01 7E 01 06 00 01 FF	
	Off	8x 01 7E 01 06 00 00 FF	
Cam_TiltReverse	On	8x 01 7E 01 09 00 01 FF	
	Off	8x 01 7E 01 09 00 00 FF	
Cmd_Tally	On	8x 01 7E 01 0A 00 02 FF	When Power is on, return to off.
	Off	8x 01 7E 01 0A 00 03 FF	
Cmd_PT_M_Speed	Preset PT Speed	8x 01 7E 01 0B 0p 0q FF	p: Memory number (=0 to 50) q: Speed (=1 to 18:fast)

*See the section under VISCA Command Setting Values

10.2.6.2 PTC-150 Inquiry Command List

Inquiry Command	Command Packet	Inquiry Packet	Comments
CAM_PowerInq	8x 09 04 00 FF	y0 50 02 FF	On
		y0 50 03 FF	Off (Standby)
CAM_ZoomPosInq	8x 09 04 47 FF	y0 50 0p 0q 0r 0s FF	pqrs: Zoom Position
CAM_FocusModelInq	8x 09 04 38 FF	y0 50 02 FF	Auto Focus
		y0 50 03 FF	Manual Focus
CAM_FocusPosInq	8x 09 04 48 FF	y0 50 0p 0q 0r 0s FF	pqrs: Focus Position
CAM_WBModelInq	8x 09 04 35 FF	y0 50 00 FF	Auto
		y0 50 01 FF	Indoor
		y0 50 02 FF	Outdoor
		y0 50 03 FF	One Push WB
		y0 50 05 FF	Manual
CAM_RGainInq	8x 09 04 43 FF	y0 50 00 00 0p 0q FF	pq: R Gain
CAM_BGainInq	8x 09 04 44 FF	y0 50 00 00 0p 0q FF	pq: B Gain
CAM_AEModelInq	8x 09 04 39 FF	y0 50 00 FF	Full Auto
		y0 50 03 FF	Manual
		y0 50 0A FF	Shutter Priority
		y0 50 0B FF	Iris Priority
CAM_ShutterPosInq	8x 09 04 4A FF	y0 50 00 00 0p 0q FF	pq: Shutter Position
CAM_IrisPosInq	8x 09 04 4B FF	y0 50 00 00 0p 0q FF	pq: Iris Position
CAM_GainPosInq	8x 09 04 4C FF	y0 50 00 00 0p 0q FF	pq: Gain Position
CAM_BackLightModelInq	8x 09 04 33 FF	y0 50 02 FF	On
		y0 50 03 FF	Off
CAM_MemoryInq	8x 09 04 3F FF	y0 50 pp FF	pp: Memory number for PTZ last operated*
CAM_MENUInq	8x 09 06 06 FF	y0 50 02 FF	On
		y0 50 03 FF	Off
CAM_VersionInq	8x 09 00 02 FF	y0 50 00 01 mn pq rs tu vw FF	mnpq: Model Code (04xx)

			rstu: ROM version vw: Socket Number (02)
CAM_ImgFlipInq	8x 09 04 66 FF	y0 50 02 FF	On
		y0 50 03 FF	Off
CAM_PanReverseInq	8x 09 7E 01 06 FF	y0 50 01 FF	On
		y0 50 00 FF	Off
CAM_TiltReverseInq	8x 09 7E 01 09 FF	y0 50 01 FF	On
		y0 50 00 FF	Off
PanTilt_Status	8x 09 06 10 FF	y0 50 pq rs FF	pqrs: PanTilt Status
PanTilt_Max_Speed	8x 09 06 11 FF	y0 50 pq rs FF	pq: Pan Max Speed, rs: Tilt Max Speed
PanTilt_Position	8x 09 06 12 FF	y0 50 0p 0q 0r 0s 0t 0u 0v 0w 0x FF	pqrst: Pan Position uvwxy: Tilt Position
Tally	8x 09 7E 01 0A FF	y0 50 02 FF	On
		y0 50 03 FF	Off
PanTilt_Memory_Speed	8x 09 7E 01 0B 0p FF	y0 50 0q FF	p: Preset No. 0 - 50, qq: Speed 1 - 18 (h)

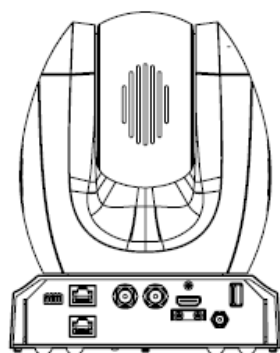
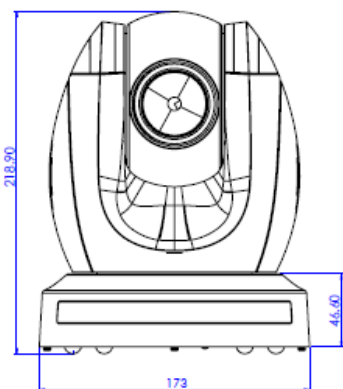
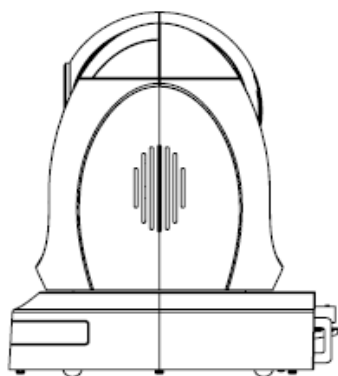
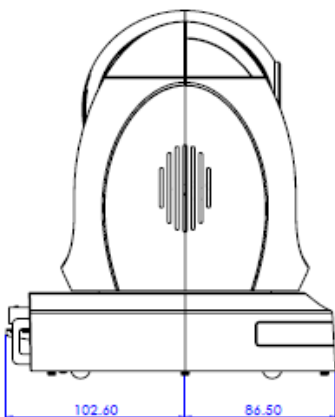
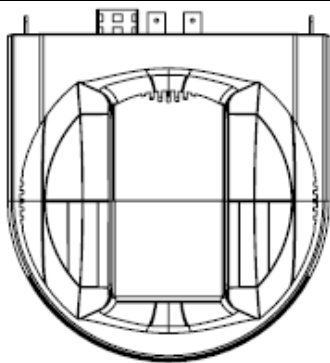
*See the section under VISCA Command Setting Values

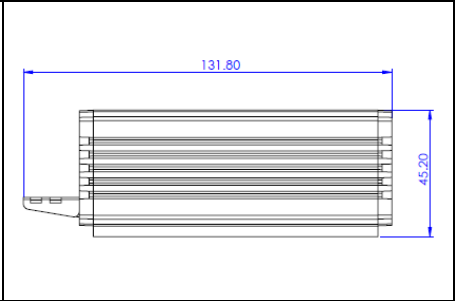
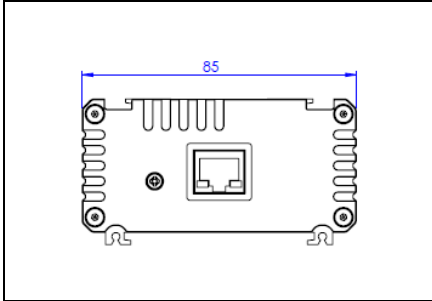
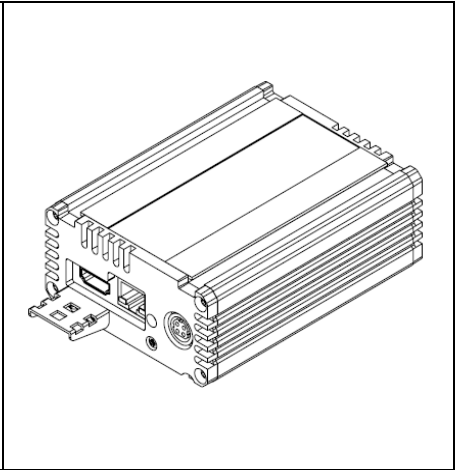
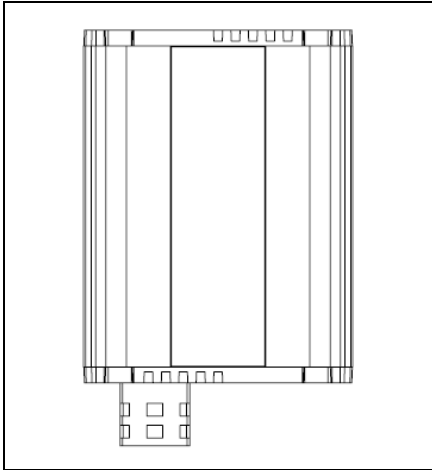
11. Firmware Update

- 1) Copy three image files, p150mcpu.bin, P150FPGA.bin and p150mctl.bin, into the root directory of a USB hard drive (<16 GB) and insert it into the USB port of PTC-150 (You may also use USB extension cord).
- 2) Open the operation menu of IR remote controller (select from CAM 1-4; default is CAM1)
- 3) Main Menu
=> 5: SYSYEM
 => 4: UPDATE SOFTWARE
 => 5: UPDATE ALL
 =>YES
 => ENTER
- 4) Wait for another five minutes until the following lines appear on the screen
 - Updated Mot-BD=>OK.
 - Updated FPGA =>OK.
 - Updated MCPU =>OKThe OSD will flash "Write OK/Power ON Again" alternately; it takes approximately 5-7 minutes to complete the update.
- 5) Turn off the device by unplugging the power cord and plug the power cord back into the socket to turn on the device again.
- 6) FW Update is complete.

12. Dimensions

Unit: mm





13. Specifications

Video	
Image Pickup Element	1/2.8" type progressive scan CMOS sensor
Effective Picture Elements	Approx. 2.14 Mega pixels
Resolution	HD / FHD / SD (CVBS only)
Signal System	HDMI & SDI: 1080/59.94p, 1080/59.94i, 1080/29.97p, 720/59.94p, 1080/50p, 1080/50i, 1080/25p, 720/50p CVBS: 480i, 576i
S/N Ratio	50 dB
Min. Illumination	Color : 0.4 lx (F1.6, 1/30 sec, 50IRE, Gain: High) B/W : 0.03 lx (F1.6, 1/30 sec, 50IRE, Gain: High)
Electric Shutter	1/50 (1/60), 1/120 (1/100), 1/250, 1/500, 1/1000 sec
Gamma Control	Off / Normal / Standard Mode 1-4
Iris Control	Auto / Manual
Digital Noise Reductions	0 - 5
On-Screen Display (OSD)	English
White Balance	AWB / MWB / One push WB / Outdoor / Indoor / Fluorescent
AGC / Gain Control	Auto / Manual (0 to 39 step) Max. Gain Limit (9 to 39 step)
Zoom Ratio	30x Optical Zoom
Mirror	OFF / Horizontal / Vertical / H+V
Camera Title (OSD)	ON / OFF
Color Bar	On / Off (Full Bar)
Focus Mode	Auto / Manual
Day & Night (IR)	Auto / Color / BW
Pan / Tilt / Zoom	
Pan/Tilt Range	Pan: 270° , Tilt: +90° to -20°
Pan/Tilt Speed	Manual: 1~150°/Sec Swing: 1~150°/Sec
Initialization Time	30 sec
Coordinate Report	P, T, Z (While Panning , Tilting and Zooming) by frame
Lens	
Lens Type	30x Optical Zoom
Focal Length	F=4.3 mm (WIDE) to 129 mm (TELE) F1.6 to F4.7
Angle of View (Horizontal)	Approx. 63.7 degrees (WIDE END) / 2.3 degrees (TELE END)

Video Output	
Video Output	HDMI (V1.3) x 1 HD-SD-SDI x 1 CVBS x 1 HDBaseT x 1 to PTC-150TW Receiver Box
Video Format Output	1 Vp-p / 75 Ohms
Control	
Protocol	VISCA / HDBaseT
Remote Control	RS-422 & HDBaseT by RJ-45 interface
F/W Update	USB 2.0
IR Control	One IR controller
Receiver Box	
Protocol	DVIP / HDBaseT
Video Out	HDMI (V1.3) x 1
Power	DC 48V (Please connect DC 48V to Receiver Box)
Control	DVIP by RJ-45 interface
HDBaseT Distance	Up to 100M by Cat.6 cable (RJ-45 interface)
Others	
Moving Noise while Tilt	<=25dB
Moving Noise while Pan	<=25dB
Operating Temperature	0°C ~ 50°C
Storage Temperature	- 10°C ~ 60°C
Operating Humidity:	10 % to 80 % (no condensation)
Certifications	CE / FCC Class A

Service & Support

It is our goal to make owning and using Datavideo products a satisfying experience. Our support staff is available to assist you to set up and operate your system. Contact your local office for specific support requests. Plus, please visit www.datavideo.com to access our FAQ section.

China Shanghai
Datavideo Technologies China Co
601 Building 10, No. 1228,
Rd. Jiangchang,
Jingan District, Shanghai
Tel: +86 21-5603 6599
Fax: +86 21-5603 6770
E-mail: service@datavideo.cn

China Beijing
Datavideo Technologies China Co
No. 812, Building B, Wankai Center,
No. 316, Wan Feng Road, Fengtai District,
Beijing, China
Tel: +86 10-8586 9034
Fax: +86 10-8586 9074
E-mail: service@datavideo.cn

China Chengdu
Datavideo Technologies China Co
B-823, Meinian square, No. 1388,
Middle of Tianfu Avenue, Gaixin District,
Chengdu, Sichuan
Tel: +86 28-8613 7788
Fax: +86 28-8513 6486
E-mail: service@datavideo.cn

China Fuzhou
Datavideo Technologies China Co
A1-2318-19 Room, No. 8, Aojiang Road,
Tajiang District, Fuzhou, Fujian, China
Tel: 0591-83211756 · 0591-83210187
Fax: 0591-83211262
E-mail: service@datavideo.cn

China Jinan
Datavideo Technologies China Co
902, No. 1 business building,
Xiangtai Square, No. 129,
Yingxionshan Road, Shizhong District,
Jinan City, Shandong Province, China
Tel: +86 531-8607 8813
E-mail: service@datavideo.cn

Hong Kong
Datavideo Hong Kong Ltd
G/F, 26 Cross Lane
Wanchai, Hong Kong
Tel: +852-2833-1981
Fax: +852-2833-9916
E-mail: info@datavideo.com.hk

India Noida
Datavideo India Noida
A-132, Sec-63, Noida-201307,
India
Tel: +91-0120-2427337
Fax: +91-0120-2427338
E-mail: sales@datavideo.in

India Kochi
Datavideo India Kochi
2nd Floor- North Wing, Govardhan Building,
Opp. NCC Group Headquarters, Chittoor Road,
Cochin- 682035
Tel: +91 4844-025336
Fax: +91 4844-047696
E-mail: sales@datavideo.in

Netherlands
Datavideo Technologies Europe BV
Floridadreef 106
3565 AM Utrecht,
The Netherlands
Tel: +31-30-261-96-56
Fax: +31-30-261-96-57
E-mail: info@datavideo.nl

Singapore
Datavideo Visual Technology(S) Pte Ltd
No. 178 Paya Lebar Road #06-07
Singapore 409030
Tel: +65-6749 6866
Fax: +65-6749 3266
E-mail: info@datavideovirtualset.com

Singapore
Datavideo Technologies (S) PTE Ltd
No. 178 Paya Lebar Road #06-03
Singapore 409030
Tel: +65-6749 6866
Fax: +65-6749 3266
E-mail: sales@datavideo.sg

Taiwan
Datavideo Technologies Co. Ltd
10F, No. 176, Jian 1st Rd., Chung Ho
District, New Taipei City 235, Taiwan
Tel: +886-2-8227-2888
Fax: +886-2-8227-2777
E-mail: service@datavideo.com.tw

United States
Datavideo Corporation
7048 Elmer Avenue,
Whittier, CA 90602,
U.S.A.
Tel: +1-562-696 2324
Fax: +1-562-698 6930
E-mail: sales@datavideo.com

United Kingdom
Datavideo UK Limited
Brookfield House, Brookfield Industrial
Estate, Peakdale Road, Glossop,
Derbyshire, SK13 6LQ
Tel: +44-1457 851 000
Fax: +44-1457 850 964
E-mail: sales@datavideo.co.uk

France
Datavideo France s.a.r.l.
Cité Descartes 1, rue Albert Einstein
Champs sur Marne 774477 –
Marne la Vallée cedex 2
Tel: +33-1-60370246
Fax: +33-1-60376732
E-mail: info@datavideo.fr



Please visit our website for latest manual update.
www.datavideo.com/product/PTC-150TW

datavideo
www.datavideo.com

All the trademarks are the properties of their respective owners. Datavideo Technologies Co., Ltd. All rights reserved 2018

Jul-13,2017