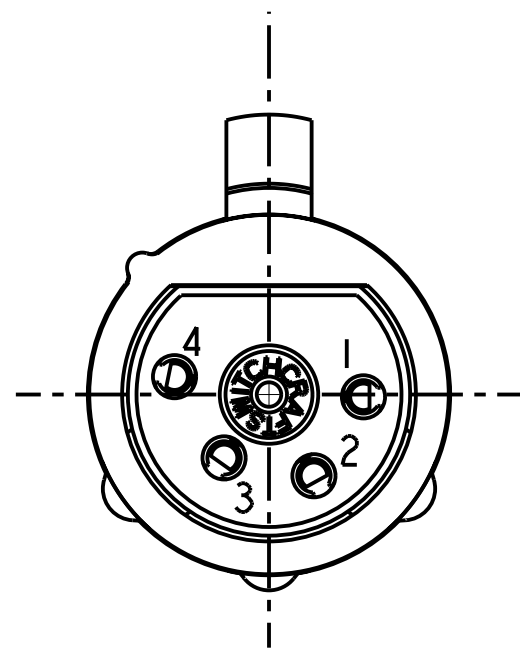
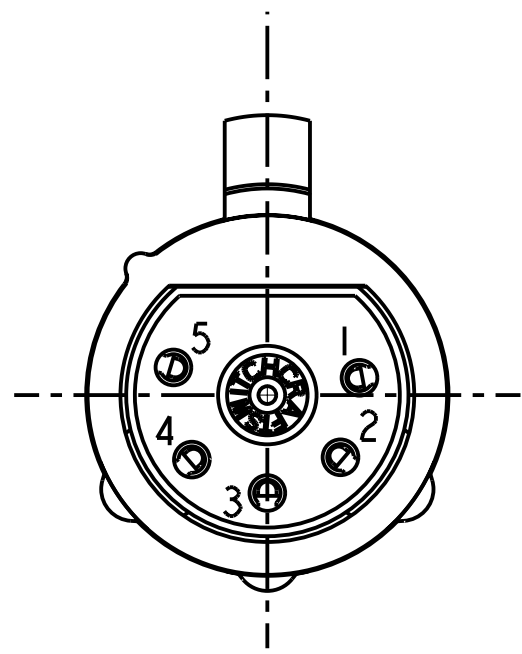


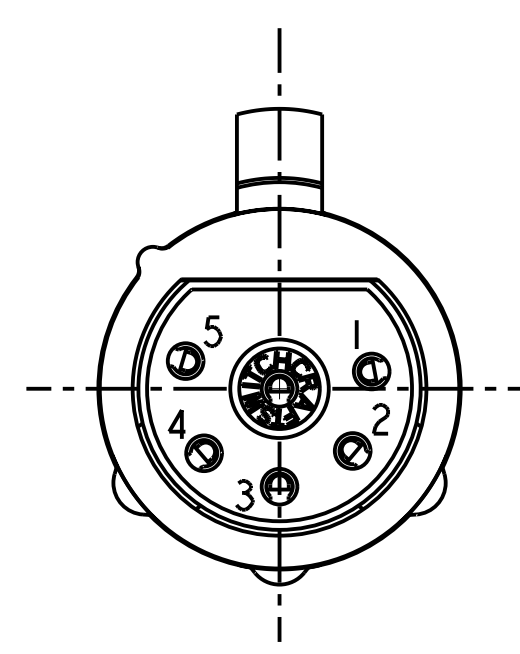
3 PIN



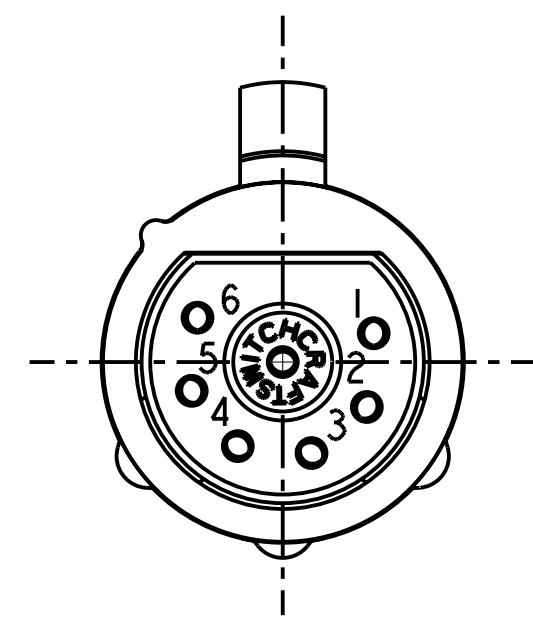
4 PIN



5 PIN



6 PIN



7 PIN

STANDARD SERIES

SCREW - STAINLESS STEEL
 SHELL - STAINLESS STEEL
 LATCH BUTTON - ZINC, NICKEL PLATED
 INSULATOR - POLYESTER, GREEN OR BLACK
 SOLDER TERMINAL - BRASS, ELECTRO TIN
 LATCH SPRING - STAINLESS STEEL
 CONTACTOR - BERYLLIUM COPPER, NICKEL PLATED
 CONTACT PIN - PHOSPHOR BRONZE, SILVER PLATED

OG F
 ↑ ↑ ↑ ↑
 TERMINAL TYPE
 BLANK = SOLDER LUGS (STANDARD)
 PC = PC TERMINAL

CONTACT PLATING
 BLANK = SILVER (STANDARD)
 AU = GOLD

INSULATOR COLOR
 BLANK = GREEN (STANDARD)
 BX = BLACK, RoHS (SEE NOTE 1) W X

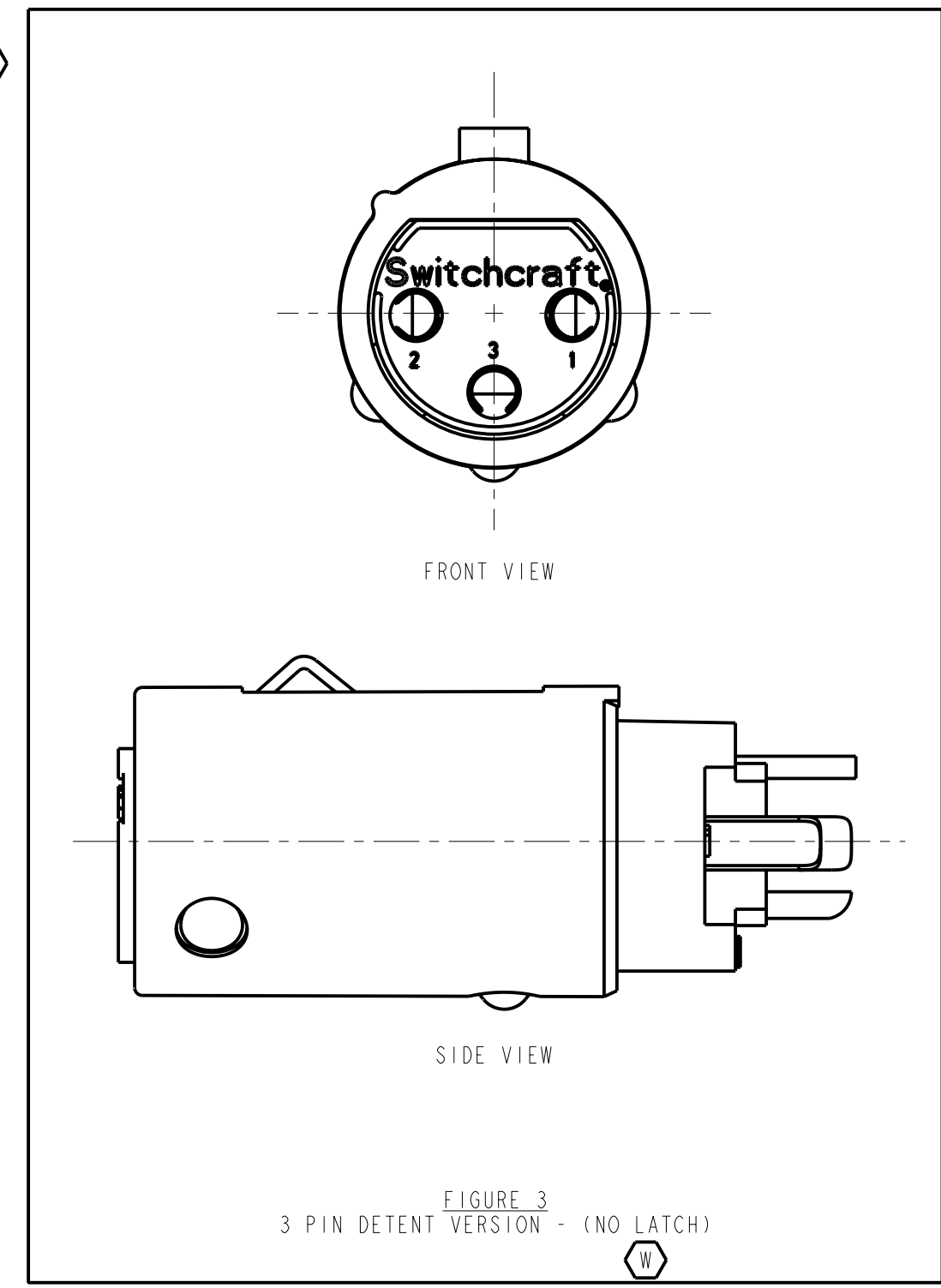
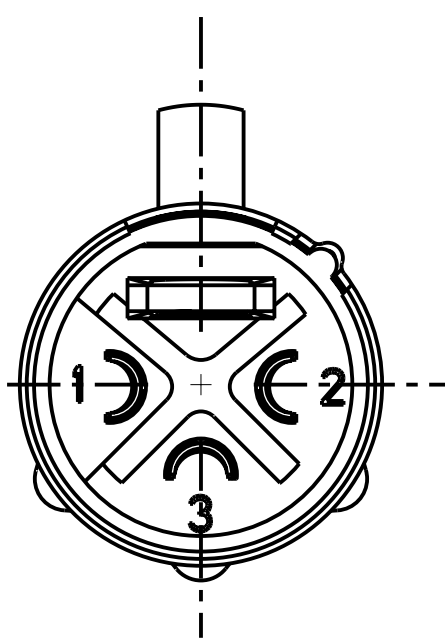
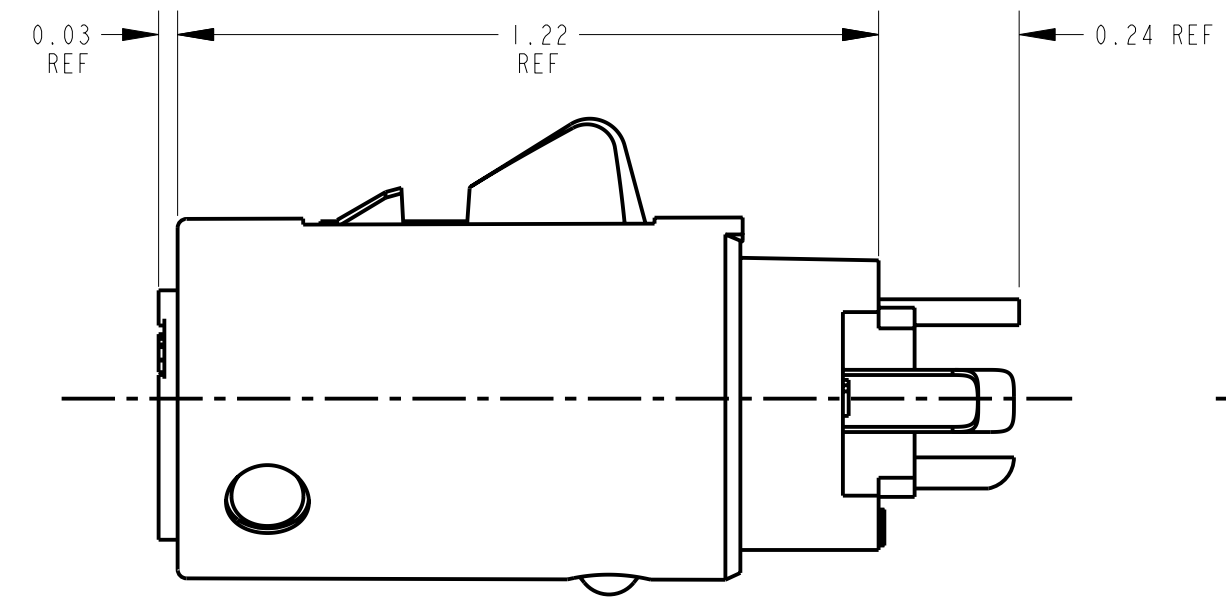
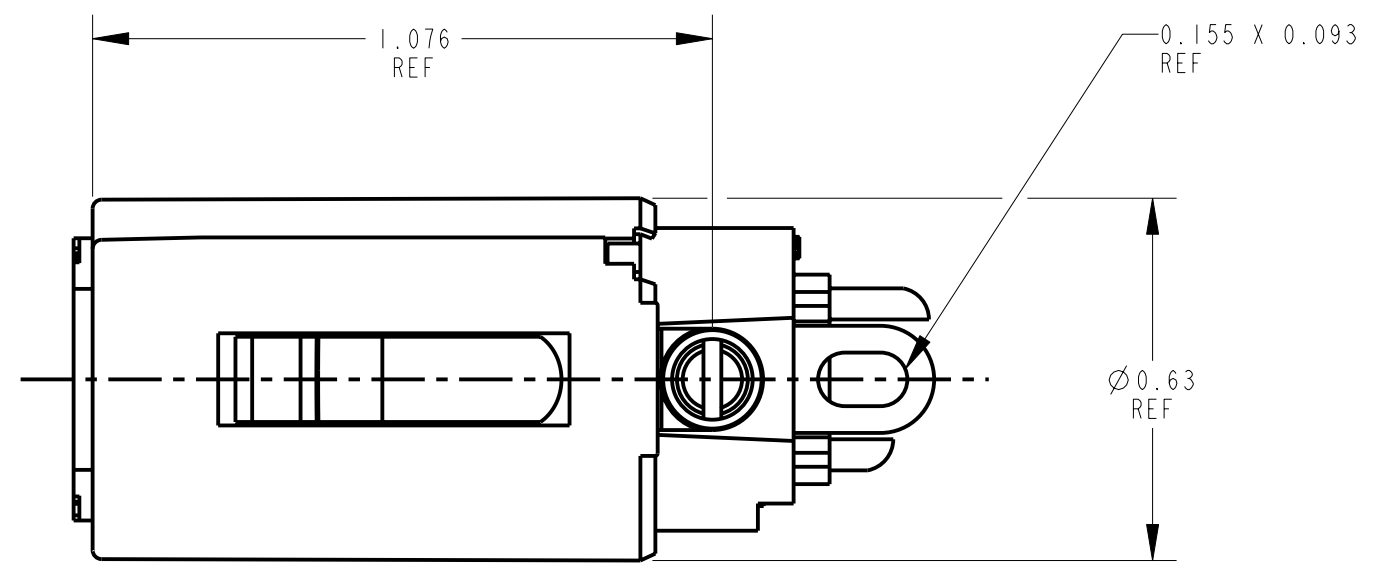
LATCH TYPE
 BLANK = STANDARD LATCHLOCK
 D = FAS-DIS-CONNECT DETENT (SEE FIG. 3)

NO. OF CONTACTS:
 3 = 3 CONTACTS
 4 = 4 CONTACTS
 5 = 5 CONTACTS
 6 = 6 CONTACTS
 7 = 7 CONTACTS

PROFESSIONAL SERIES

SAME AS ABOVE EXCEPT
 CONTACT PIN - PHOSPHOR BRONZE, GOLD OVER NICKEL

OG F
 ↑ ↑ ↑ ↑
 NO. OF CONTACTS:
 3 = 3 CONTACTS
 4 = 4 CONTACTS
 5 = 5 CONTACTS
 6 = 6 CONTACTS
 7 = 7 CONTACTS



NOTES:

W X 1. "BX" SERIES IS A BLACK INSERT WITH A NICKEL PLATED LATCH. REAR INSULATOR IS GREEN.

W 2. THESE PRODUCTS ARE RoHS COMPLIANT.

REV	ECO NUMBER	DATE	BY	APVD
X	26847	9/29/11	TJK	TJK
W	26158	3-28-07	TJK	TJK
V	25060	3-28-07	TJK	TJK
U	24975	4-25-05	JL	GG
T	24218	4-25-05	JL	JF
S	ECO #22610	11-20-98	DA	EB

★ STAR SYMBOL DENOTES CRITICAL DIMENSION

UNLESS OTHERWISE SPECIFIED

1. ALL DIMENSIONS IN INCHES
 - TWO PLACE DECIMALS ±0.01
 - THREE PLACE DECIMALS ±0.005
 - ANGLES ±1°
 - ALL DIA. CONCENTRIC WITHIN 0.005 T.I.R.

2. FEATURES ON THE SAME CENTERLINE MUST BE ALIGNED WITHIN ±0.002

3. REMOVE ALL BURRS

DO NOT SCALE DRAWING

THIS DRAWING DESCRIBES A DESIGN CONSIDERED PROPRIETARY IN NATURE, DEVELOPED AND MANUFACTURED BY SWITCHCRAFT INC. AND IS RELEASED ON A CONFIDENTIAL BASIS FOR IDENTIFICATION PURPOSES ONLY.				
SIZE	WIDTH	MULT	LBS/M	TEMPER
FINISH SPEC No.		MATERIAL SPEC No.		
FIRST USED ON		SCALE 3:1		
DATE DRAWN	BY	CHKD	APVD	Switchcraft
3-3-94	LR	JD 3-8-94	GHJ 3-8-94	
NAME			PART No.	REV
FEMALE OG INSERT SERIES, RoHS			QG_F SERIES	X

CUSTOMER DRAWING