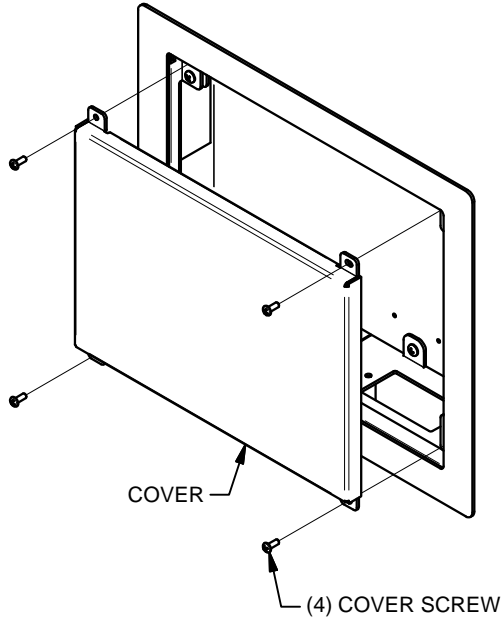
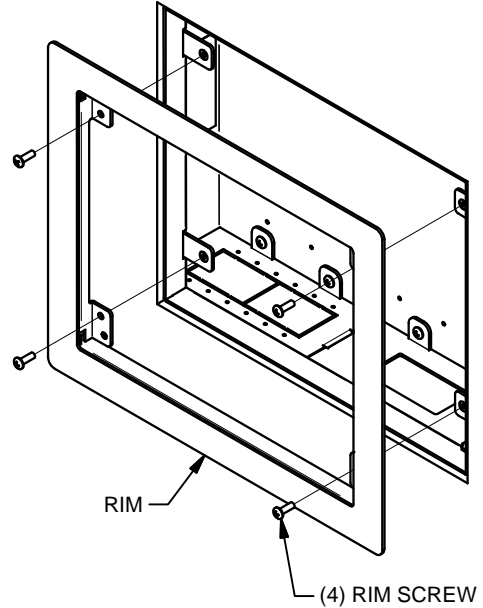


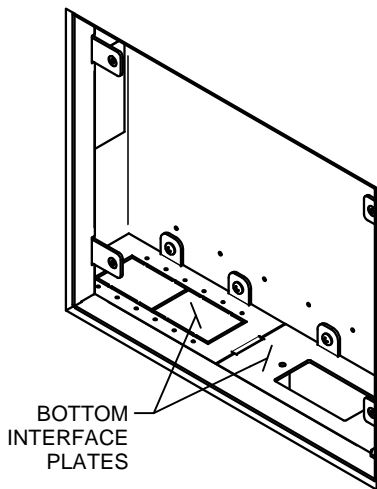
1. REMOVE COVER AND RETAIN COVER AND SCREWS FOR REINSTALLTION.



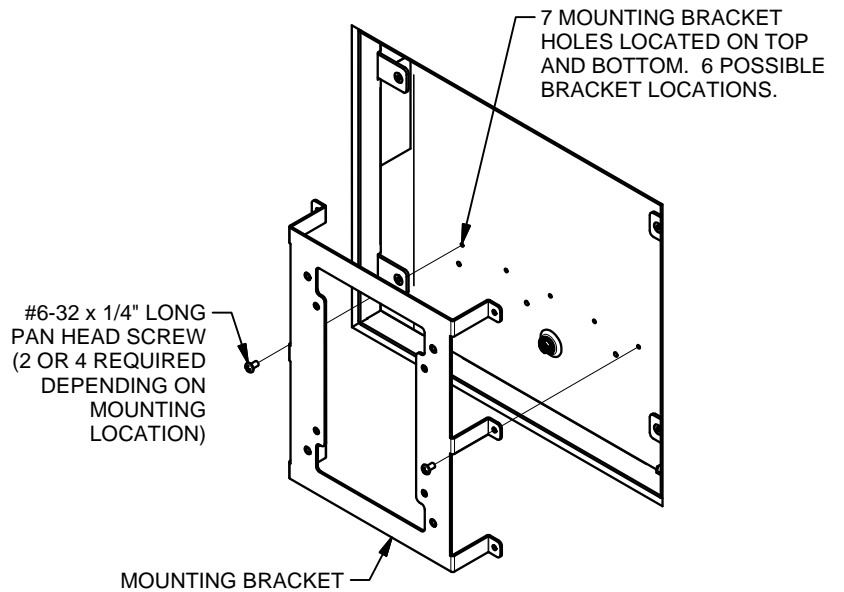
2. REMOVE RIM AND RETAIN RIM AND SCREWS FOR REINSTALLTION.



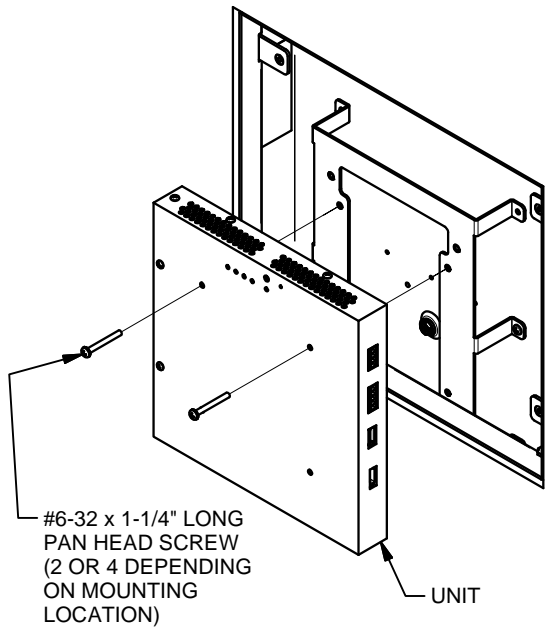
3. REMOVE BOTTOM INTERFACE PLATES AND DISCARD.



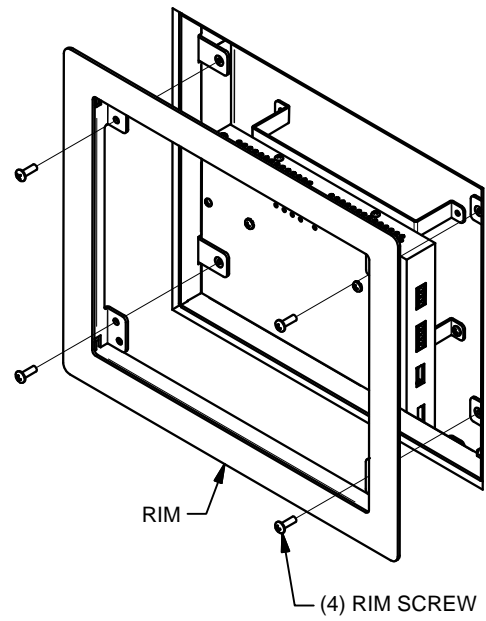
4. DETERMINE EQUIPMENT LOCATION AND INSTALL MOUNTING BRACKET.



5. INSTALL UNIT ONTO MOUNTING BRACKET AND MAKE ELECTRICAL CONNECTIONS AS REQUIRED. IT MAY BE NECESSARY TO MAKE SOME CONNECTIONS TO THE UNIT BEFORE INSTALLING IN BOX. CARE SHOULD BE USED DURING INSTALLATION TO PREVENT DAMAGE TO CABLES/WIRES.



6. REINSTALL RIM.



7. REINSTALL COVER.

