



Chroma-Q®
BRILLIANT SOLUTIONS

Specification Sheet - Version: 1.1
Chroma-Q® Studio One 100™ Variable White
Above Par Performance from a White Source
Part No: CHSONE100V

DESCRIPTION

The fixture shall provide a powerful hot lumens output of up to 2,100 lumens (Combined).

The fixture shall be suitable for Theatrical, Film, TV and many other applications.

The fixture shall provide a variable white output (3,000K-6,100K).

The fixture shall provide a CRI of 86.

The fixture shall provide a smooth, linear dimming curve.

The fixture shall feature a built-in stand alone mode.

The fixture shall feature a built-in power supply.

The fixture shall be manufactured from extruded material.

The fixture shall provide fully homogenised output beam.

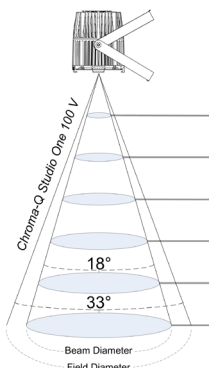
FEATURES

- Extreme variable white output (3,000K to 6,100K)
- Defined 18° beam
- Extremely uniform wash
- Fully homogenised beam
- Superior build quality
- High CRI of 86
- Camera friendly - Flicker free operation
- Floor, truss or wall mountable
- Convection cooled for near silent running
- Theatrical grade dimming

ORDERING INFORMATION

CHSONE100V: Chroma-Q Studio One 100 Variable White, IP20, PowerCon and XLR-5pin In/Out

PHOTOMETRICS



Throw Distance		Beam Spread		Field Spread		Full On	
M	FT	M	FT	M	FT	LUX*	FC*
1	3.28	0.3	0.98	0.6	1.97	15,701	1,458.67
2	6.56	0.6	1.97	1.2	3.94	3,925	364.64
3	9.84	0.9	2.95	1.8	5.91	1,745	162.12
4	13.12	1.2	3.94	2.4	7.87	981	91.14
5	16.40	1.5	4.92	3	9.84	628	58.34
6	19.69	1.9	6.23	3.5	11.48	436	40.51

* measured at centre of beam

OVERALL SPECIFICATIONS

Net dimensions (Full Open Yoke): Width: 214mm / 8.5"

Height: 267mm / 10.5"

Depth: 232mm / 9"

Net weight:

3.8kg / 8.5lb

Shipping dimensions:

Width: 406mm / 16"

Height: 228mm / 9"

Depth: 292mm / 11.5"

Shipping Weight:

5.5kg / 12lb

Power Supply:

Built-in

Power Input Rating:

100-240V AC 50-60Hz 125VA

Power Factor:

0.5

Power Consumption:

58W @ 120/230V AC

Inrush Current:

15A @ 120V AC; 36A @ 230V AC

Idle Power Consumption:

3.5W @ 120V AC; 5.6W @ 230V AC

Typical Power & Current:

Measurements done with all LEDs at maximum intensity. Measurements made at nominal voltage. Allow for a deviation of +/- 10%.

Power Connector In/Out:

powerCON

Data Connectors In/Out:

XLR 5-pin

Control Protocol:

ANSI E1.11 USITT DMX 512-A

Cooling System:

Convection

Operating Temperature:

0°C to 40°C

Construction:

Cast machined aluminium

Colour:

Black (custom colours available on request)

Built-In Hardware:

Split Yoke, 6.25" Accessory Holder

Included Accessories:

Wireless IR Remote, Colour Frame

IP Rating:

IP20

Approvals:

CISPR 15/EN55015& EN61547, FCC Part 15 Subpart B:2012 / ICES-003:2012, CSA C22.2, UL 1573, IEC 60598

LED Engines:

1

LEDs Per Engine:

Warm White, Cold White

Control Modes:

2 channels CTI, 2 channels WW CW, Master, Slave

Dimming Curve:

Theatrical

Wireless Control:

On / Off, Fade In, Fade Out

Hot Lumen Output (Combined):

2,100

Optics:

Fully homogenised

Beam Angle:

18°

Beam Distribution:

Symmetrical direct illumination

CCT:

3,000K - 6,100K

CRI:

86

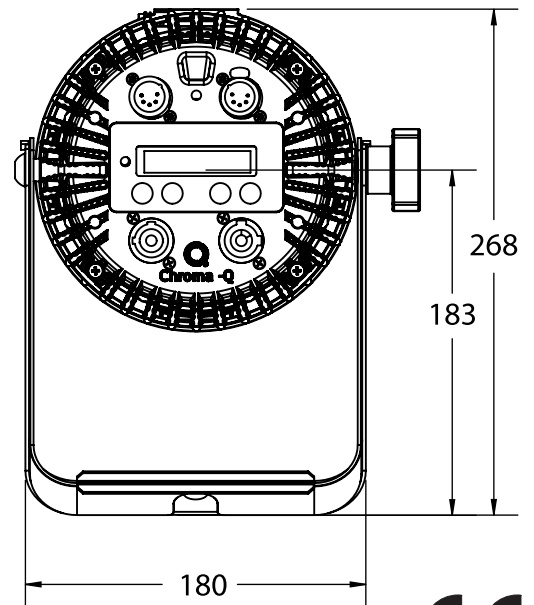
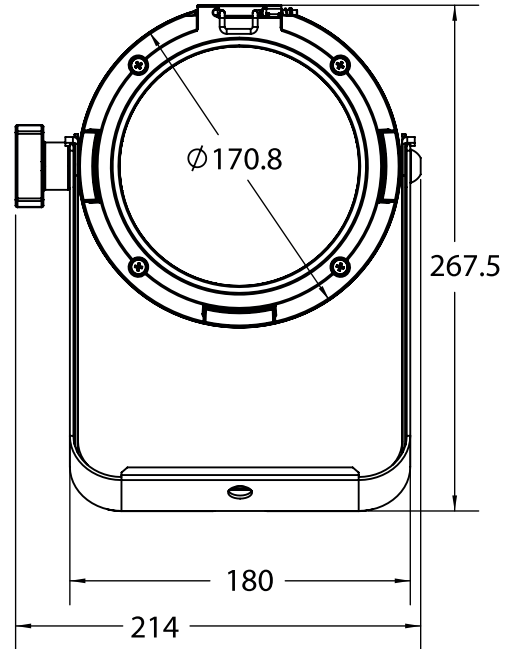
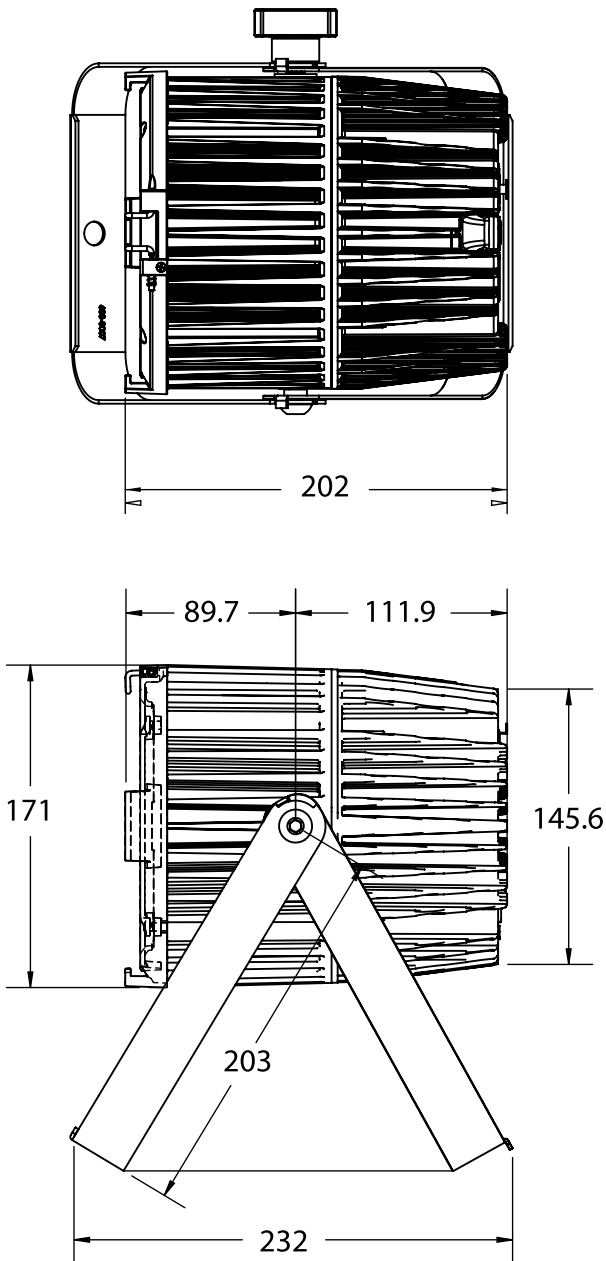
Lamp Life:

L70 at 50,000 hours



Chroma-Q[®]
BRILLIANT SOLUTIONS

Specification Sheet - Version: 1.1
Chroma-Q[®] Studio One 100™ Variable White
Above Par Performance from ONE Source
Part No: CHSONE100V



Chroma-Q and all associated product names are recognised trademarks, for more information visit www.chroma-q.com/trademarks. The rights and ownership of all trademarks are recognised. Whilst every effort has been made to ensure that the information is correct, Chroma-Q accepts no liability for errors or omissions. Technical specifications and data are provided for guidance only. Because we constantly aim to improve our products, we reserve the right to amend or alter at any time and without prior notice, the specifications of any product. E&OE.