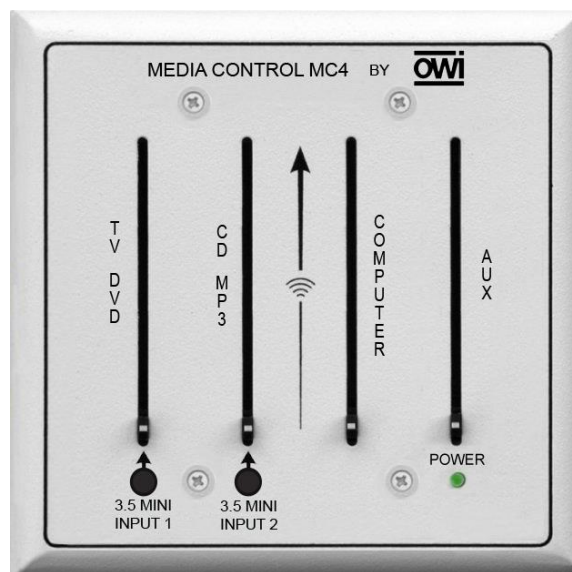


Installation Instructions

Model MC4

MEDIA CONTROL by OWI

Media Control 4-Channel
Mic/Line Audio Mixer in a two gang electrical box



Established 1978

OWI Incorporated
17141 Kingsview Ave. Carson CA 90746 USA
Tel. 310-515-1900
www.owi-inc.com

Technical Support: 310-515-1900



CAUTION
RISK OF ELECTRIC SHOCK



DO NOT OPEN

**CAUTION: TO REDUCE THE RISK OF ELECTRIC SHOCK
DO NOT REMOVE COVER (OR BACK)
NO USER-SERVICEABLE PARTS INSIDE
REFER SERVICING TO QUALIFIED PERSONNEL**



The lightning flash with arrowhead symbol within an equilateral triangle is intended to alert the user to the presence of uninsulated "dangerous voltage" within the product's enclosure that may be of sufficient magnitude to constitute a risk of electric shock to persons.



The exclamation point within an equilateral triangle is intended to alert the user of the presence of important operating and maintenance (servicing) instructions in the literature accompanying the appliance.

The apparatus shall not be exposed to dripping or splashing and that no objects filled with liquids, such as vases, shall be placed on the apparatus.

IMPORTANT SAFETY INSTRUCTIONS

1. Read these instructions - All the safety and operation instructions should be read before this OWI product is operated.
2. Keep these instructions - The safety and operating instructions should be kept for future reference.
3. Heed all warnings - All warnings on this product and in these operating instructions should be followed.
4. Follow all instructions - All operating and other instructions should be followed.
5. Do not use this apparatus near water - for example, near a bathtub, washbowl, kitchen sink, laundry tub, in a wet basement, near a swimming pool, swamp or salivating St. Bernard dog, etc.
6. Clean only with dry cloth.
7. Do not block any ventilation openings. Install in accordance with the manufacturer's instructions. - This OWI product should be situated so that its location or position does not interfere with its proper ventilation. For example, the Component should not be situated on a bed, sofa, rug, or similar surface that may block any ventilation openings, or placed in a built-in installation such as a bookcase or cabinet that may impede the flow of air through ventilation openings.
8. Do not install near any heat sources such as radiators, heat registers, stoves or other apparatus (including amplifiers) that produce heat.
9. Do not defeat the safety purpose of the polarized or grounding-type plug. A polarized plug has two blades with one wider than the other. A grounding type plug has two blades and a third grounding prong. The wider blade or the third prong are provided for your safety. If the provided plug does not fit into your outlet, consult an electrician for replacement of the obsolete outlet.
10. Protect the power cord from being walked on or pinched particularly at plugs, convenience receptacles, and the point where they exit the apparatus.
11. Only use attachment/accessories specified by the manufactures.
12. Use only with the cart, stand, tripod, bracket or table specified by the manufacturer, or sold with the apparatus. When a cart is used, use caution when moving the cart/apparatus combination to avoid injury from tip-over.



13. Unplug this apparatus during lightning storms or when unused for long periods of time.
14. Refer all servicing to qualified service personnel. Servicing is required when the apparatus has been damaged in any way, such as power-supply cord or plug is damaged, liquid has been spilled or objects have fallen into the apparatus, the apparatus has been exposed to rain or moisture, does not operate normally, or has been dropped. The user should not attempt to service this OWI product beyond those means described in this operating manual. All other servicing should be referred to the OWI Service Department.
15. To reduce the risk of fire or electric shock, do not expose this apparatus to rain or moisture.
16. To prevent electric shock, do not use this polarized plug with an extension cord, receptacle or other outlet unless the blades can be fully inserted to prevent blade exposure.
17. Exposure to extremely high noise levels may cause permanent hearing loss. Individuals vary considerably in susceptibility to noise-induced hearing loss, but nearly everyone will lose some hearing if exposed to sufficiently intense noise for a period of time. The U.S. Government's Occupational Safety and Health Administration (OSHA) has specified the permissible noise level exposures shown in the following chart.
According to OSHA, any exposure in excess of these permissible limits could result in some hearing loss. To ensure against potentially dangerous exposure to high sound pressure levels, it is recommended that all persons exposed to equipment capable of producing high sound pressure levels use hearing protectors while the equipment is in operation. Ear plugs or protectors in the ear canals or over the ears must be worn when operating the equipment in order to prevent a permanent hearing loss if exposure is in excess of the limits set forth here.
18. OWI recommends that this apparatus is to be placed on a switched power outlet, one that switches both sides of the line and has contact separation of at least 3mm.

<u>Duration Per Day</u>	<u>Sound Level dab</u>	<u>Typical</u>
In Hours	Slow Response	Example
8	90	Duo in small club
6	92	
4	95	Subway Train
3	97	
2	100	Very loud classical music
1.5	102	
1	105	Patrice screaming at Ron about deadlines
0.5	110	
0.25 or less	115	Loudest parts at a rock concert



Installation Instructions

Media Control

Model MC4

MC4 carton includes the following items:
One (1) each MC4 (Media Control Mixer)
One (1) each 15V DC, Level V, UL Listed Power Supply
Four (4) each 6:32 Truss head screws
Four (4) each plastic washers
One (1) each Dongle (Sold separately)

Introduction:

Congratulations on purchasing the Media Control MC4 by OWI.

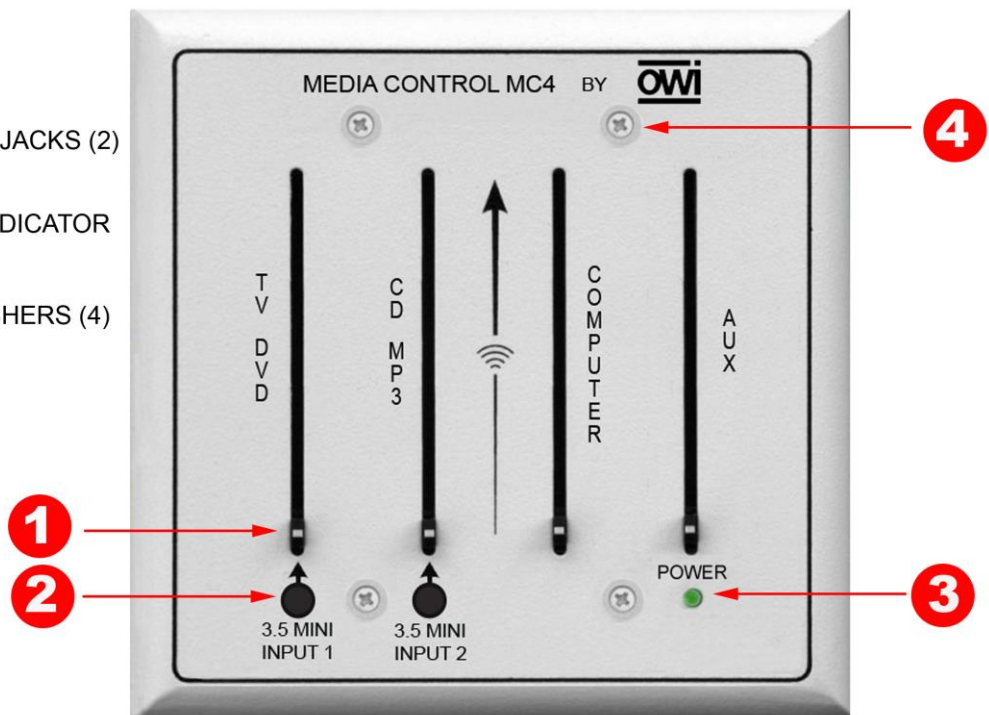
A two gang electrical box four channel Audio mixer, the MC4 will allow either Line or Mic level inputs on each channel. It has an additional four set of level controls to provide a fixed secondary output not effected by any of the changes on the front panel level input controls. Typical uses of the secondary output would be “Hard of hearing”, “Room combiner” or priority feed that is not effected by input controls. All inputs and outputs are balanced so that, if needed, very long input lines and output lines are possible.

Specifications:

Two Gang Electrical box, Four Channel Mixer with both Microphone and Line Audio Mixer

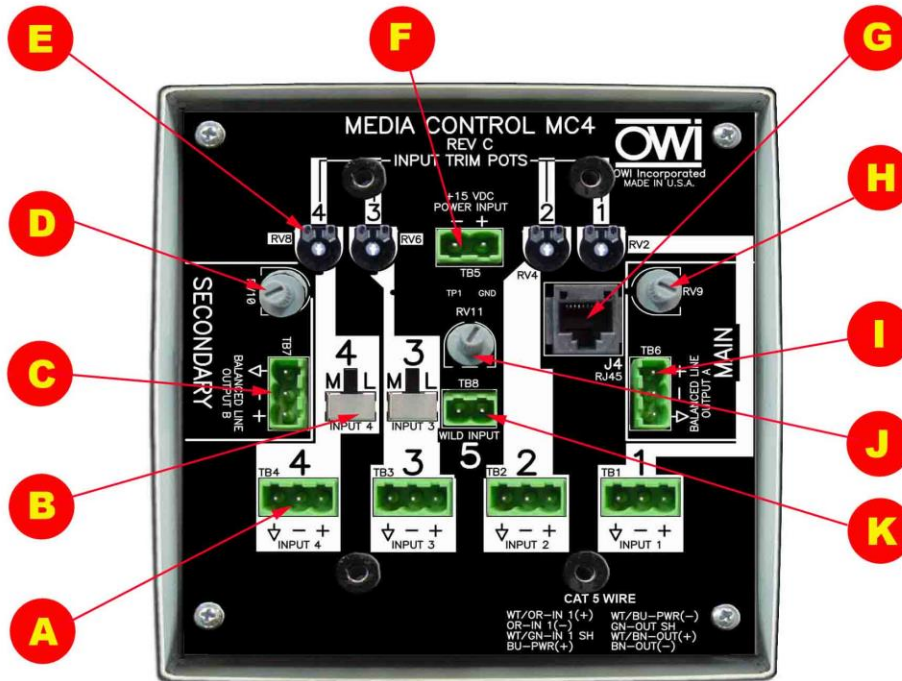
Power	15 Volts DC
Current	170 mils
Channels	Four plus a “Wild” Input
Voltage Levels	Line (-14 to +4dBm) Mic (-55dBm)
Outputs	Two (2)
Output Types	Balanced, Solid State
Outputs Channels	Two (2) BAC on Euro Block / 1 ea. CAT 5 (CH 1)
Output types	Primary, Front panel controlled Secondary, Rear
Input types	2 ea. Front panel 3.5mm 4 ea. Rear panel fixed wire (Euro block)
Mic/Line Inputs	One (1) “Wild” line, unbalanced input Channels 3 and 4, Mic or line selected on rear

- 1 SLIDERS (4)
- 2 3.5 MINI INPUT JACKS (2)
- 3 LED POWER INDICATOR
- 4 SCREWS / WASHERS (4)



Four Sliders **1** provide easily seen level controls for selectable either line level or microphone level inputs.

The MC4 provides convenient front panel 3.5 mini jack inputs **2** on channels 1 and 2. The two jacks are stereo and combine to mono at the jack. They are selected on the rear panel.



- A** Four (4 ea.) Inputs - Euro Style Three Pin Connectors for Inputs 1, 2, 3 and 4
- B** Two (2 ea.) Mic or Line Switches for Inputs 3 and 4
- C** Balanced Line Output B (Secondary)
- D** Volume Control for the Secondary Output B
- E** Four (4 ea.) Trim Controls for Inputs 1, 2, 3 and 4
- F** 15V DC Power Input
- G** RJ45/CAT 5
- H** Volume Control for the Main Output A
- I** Balanced Line Output A (Main)
- J** Volume Control for the "Wild" Input
- K** "Wild" Input

Two convenient Mic and Line switches **B** are accessible from the rear allowing Channel 3 or 4 inputs to be assigned to either Line or Mic level input. Line is to the right and Mic is to the left.

The four inputs **A** are balanced with detachable Euro style three pin connectors. When single ended is required, - and ground are jumpered together and + is tied to the hot wire.

The Main balanced output **I** is a green Euro Style output connector which is being controlled by a volume control **H**.

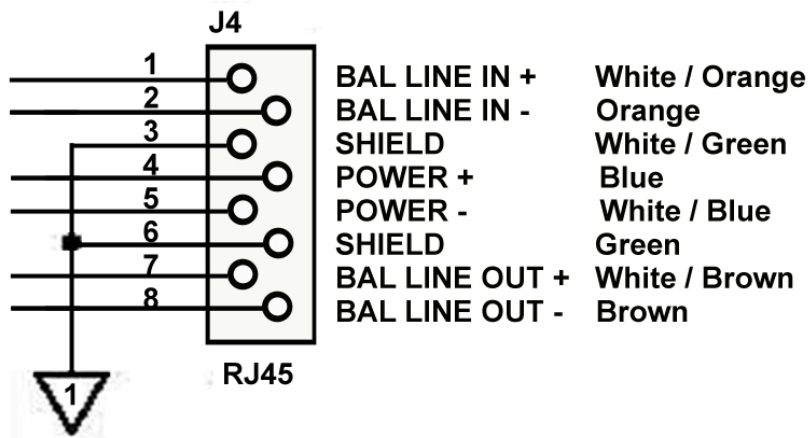
Power supply connector **F**.

Four (4) trim controls **E** for the front panel slide controls.

This balanced line output **C** is for “Hard of Hearing” output and can be controlled by a volume control **D**.

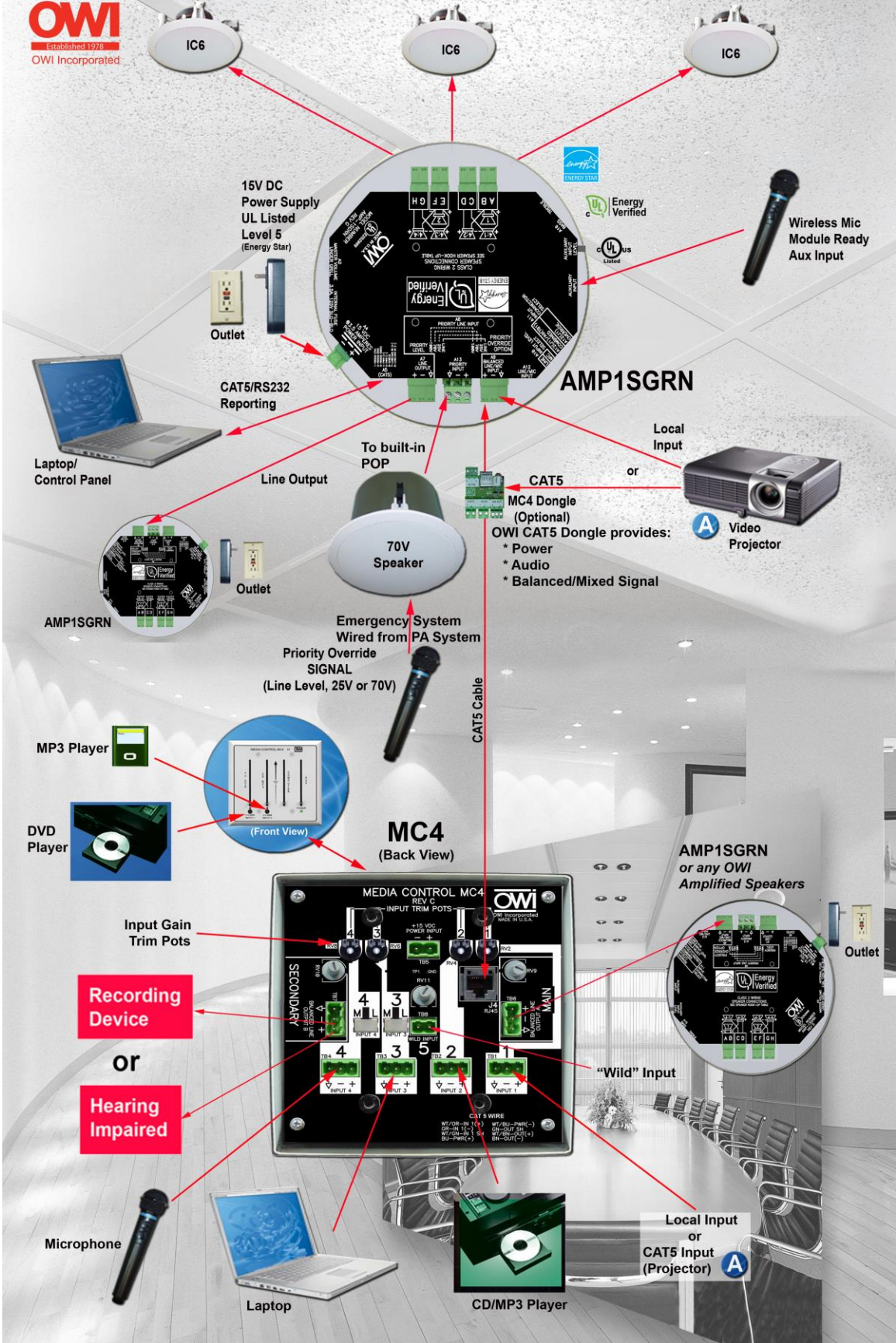
An RJ45 **G** allows a quick hook up for a single channel Input, Output and power are all hooked up with a single 8 pin connector. Looking at the RJ45 from the left is pins 1 balanced line + followed by 2,(-), 3 Gnd. 4 Power +, 5, Power - 6, Gnd 7, Output + and 8 Output -.

The “wild” input **K** goes directly to both outputs with no level controls on its input.





AMP1SGRN & MC4DNGL WIRING DIAGRAM



LIMITED WARRANTY

1. The Media Control MC4 has been thoroughly tested and inspected at the factory. It is warranted for one (1) year from date of purchase.
IT IS THE OWNERS' RESPONSIBILITY TO ESTABLISH THE DATE OF PURCHASE BY ACCEPTABLE EVIDENCE AT TIME SERVICE IS SOUGHT.
2. Any unit, which in the judgment of OWI INC. is defective or develops defects under normal use will be replaced or repaired without cost within the warranty period.
3. This warranty will be considered void if unit has been dropped, misused, abused, altered in any manner, overdriven with excessive amplification exceeding manufacturer's specification, improperly serviced or accidental damage.
4. OWI Inc. shall have no liability whatsoever for consequential damage. The sole responsibility and discretion of OWI Inc. under this warranty shall be limited to the repair of the product or replacement thereof.
5. IMPORTANT: This warranty is void unless the attached card is completed and mailed to OWI Inc. within 10 days following the date of purchase. Units must be sent to OWI Inc. or to the dealer where purchased.

OWI INCORPORATED
17141 Kingsview Ave
Carson, CA 90746

Date Purchased: _____
Model Number: _____
Serial Number: _____

(Keep this part for your record)

-----CUT AND MAIL-----



OWI INCORPORATED
17141 Kingsview Ave
Carson, CA 90746

LIMITED WARRANTY

Model Number: _____

Model Name: _____

Serial No. _____

Date of Purchase: Month: _____ Day _____ Year _____

Owner's Name: _____

Address: _____

City: _____ State _____ Zip _____

Dealer's Name: _____ City _____ State _____

Purchased from (please check one):

Video __, Electronic __, Mail Order __, Mass Merchandiser __, Installer __

Others (please specify) _____

Remarks: _____
