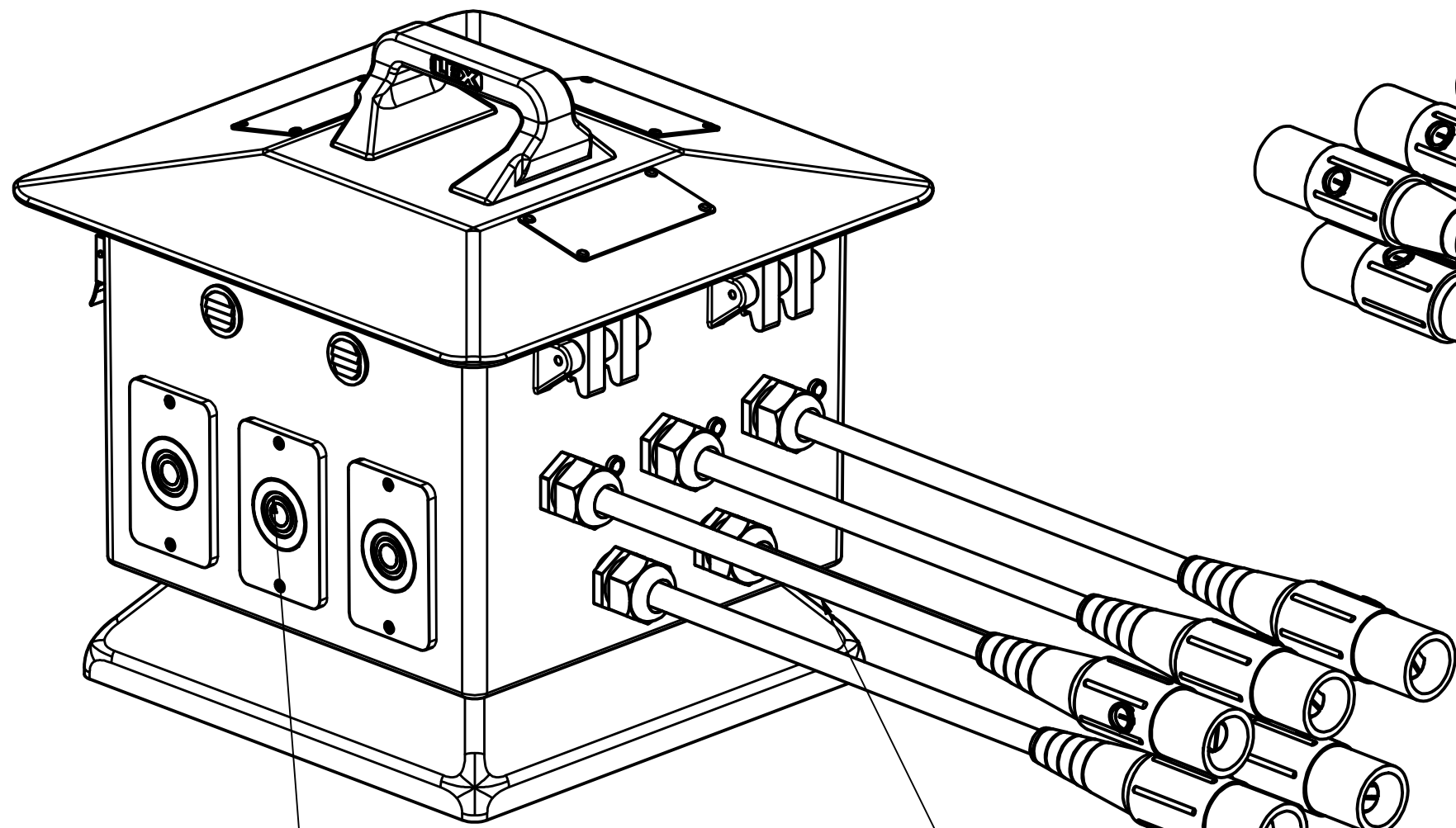


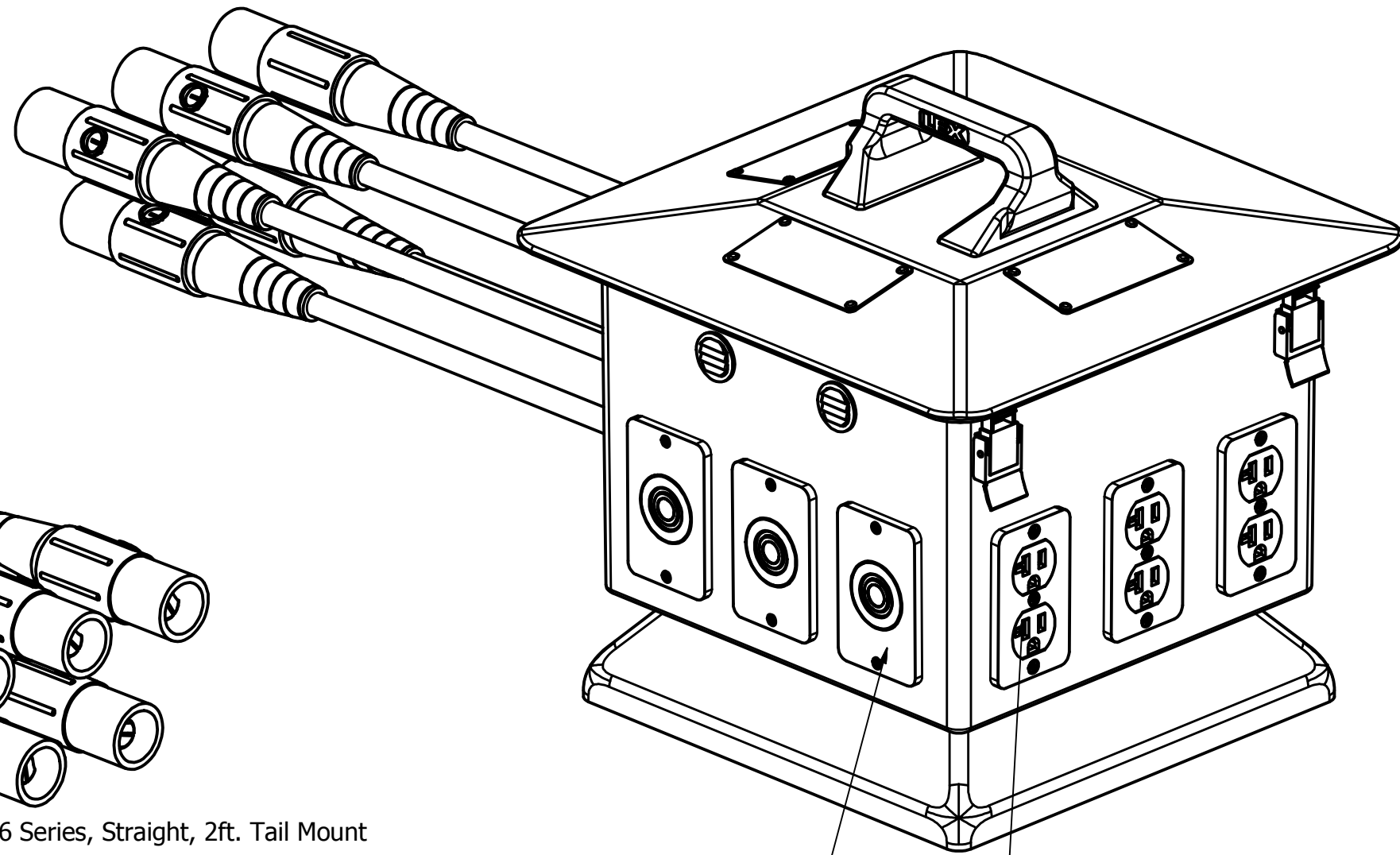
BREAKERS MOUNTED UNDER HINGED COVER

REVISION HISTORY			
REV	DESCRIPTION	DATE	APPROVED
003	EC2474	12/6/2013	TMELLON
004	EC2889	12/09/2015	TMELLON



(3) - Nema Locking, 20A, L6-20, Single Phase (H,H,G), Panel Mount

INPUT - Cam Type, 16 Series, Straight, 2ft. Tail Mount

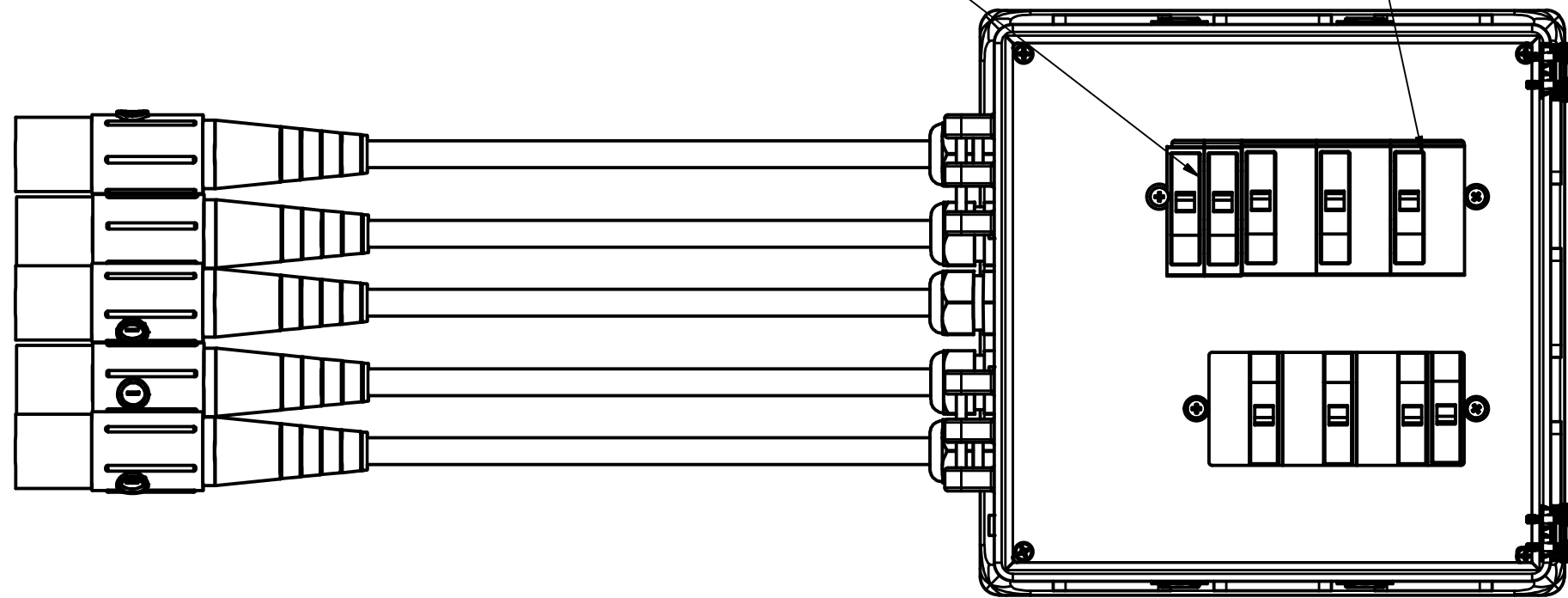


(3) - Nema Locking, 20A, L6-20, Single Phase (H,H,G), Panel Mount

(3) - Nema Straight Blade, 20A, 5-20, Duplex, Single Phase (H,N,G), 125Vac, Panel mount

(3) - 20A, 1P, BREAKERS

(6) - 20A, 2P, BREAKERS



TOP VIEW W/ HINGED COVER REMOVED FOR CLARITY

cULus Listed Portable Power Distribution Unit
 ENVIRONMENTAL RATING: Type 1 (Indoor Use)
 ENCLOSURE MODEL: Rubber Hinged - (Pagoda)
 DIMENSIONS: 14.25" x 14.25" x 14.15"
 INPUT: 100A, Cam Type, 16 Series, Straight, 2 ft. Tail Mount
 MAIN BREAKER: None
 FEED THRU: No
 OUTPUT: (6) - Nema Locking, 20A, L6-20, Single Phase (H,H,G), 250Vac, Panel Mount
 (3) - Nema Straight Blade, 20A, 5-20, Duplex, Single Phase (H,N,G), 125Vac, Panel Mount
 ALL OUTPUTS PROTECTED BY BRANCH CIRCUIT BREAKERS
 RATING: 100A, Three Phase (H,H,H,N,G), 208Y/120Vac

Date:

LEX Sales Order Number:

Company:

Print Name:

THE INFORMATION CONTAINED HEREIN IS PROPRIETARY TO LEX PRODUCTS CORP AND SHALL NOT BE REPRODUCED OR DISCLOSED IN WHOLE OR IN PART OR USED FOR ANY DESIGN OR MANUFACTURE EXCEPT WHEN SUCH USER POSSESSES WRITTEN AUTHORIZATION FROM LEX PRODUCTS CORP.



LEX PRODUCTS CORP.
 15 Progress Drive, Shelton, CT. 06484

TITLE:
 PowerHOUSE™ Portable Distribution Box

DRAWN BY:
 CHA

DATE:
 10/29/2013

PART NUMBER:
 DBS100DT-A4DB2 - SUB

REV.
 004

© 2013 LEX PRODUCTS CORP.

RATING:

SHEET 1 OF 1