

PLATINUM 1200 WASH™

user manual

©2017 **ELATION PROFESSIONAL** all rights reserved. Information, specifications, diagrams, images, and instructions herein are subject to change without notice. ELATION PROFESSIONAL logo and identifying product names and numbers herein are trademarks of ELATION PROFESSIONAL. Copyright protection claimed includes all forms and matters of copyrightable materials and information now allowed by statutory or judicial law or hereinafter granted. Product names used in this document may be trademarks or registered trademarks of their respective companies and are hereby acknowledged. All non-ELATION brands and product names are trademarks or registered trademarks of their respective companies.

ELATION PROFESSIONAL and all affiliated companies hereby disclaim any and all liabilities for property, equipment, building, and electrical damages, injuries to any persons, and direct or indirect economic loss associated with the use or reliance of any information contained within this document, and/or as a result of the improper, unsafe, insufficient and negligent assembly, installation, rigging, and operation of this product.

Elation Professional USA | 6122 S. Eastern Ave. | Los Angeles, CA. 90040
323-582-3322 | 323-832-9142 fax | www.elationlighting.com | info@elationlighting.com

Elation Professional B.V. | Junostraat 2 | 6468 EW Kerkrade, The Netherlands
+31 45 546 85 66 | +31 45 546 85 96 fax | www.elationlighting.eu | info@elationlighting.eu



DOCUMENT VERSION

Due to additional product features and/or enhancements, an updated version of this document may be available online.

Please check www.elationlighting.com for the latest revision/update of this manual, before beginning installation and/or programming.

Date	Document Version	Software Version ≥	DMX Channel Modes	Notes
02/11/17	1	2.1.0	17 / 35 / 93	Initial release.

CONTENTS

General Information	4
Warranty	6
Safety Instructions and Guidelines	7
Overview	9
Installation	10
System Menu	14
DMX Channel Functions And Values	22
LED Pixel Control	30
Error Codes	31
Cleaning and Maintenance	33
Technical Specifications	34
Optional Accessories	37

GENERAL INFORMATION

INTRODUCTION

Congratulations, you have just purchased one of the most innovative and reliable lighting fixtures on the market today! This fixture has been designed to perform reliably for years when the guidelines in this booklet are followed. Please read and understand the instructions in this manual carefully and thoroughly before attempting to operate this unit. These instructions contain important information regarding safety during use and maintenance.

UNPACKING

Every fixture has been thoroughly tested and has been shipped in perfect operating condition. Carefully check the shipping carton for damage that may have occurred during shipping. If the carton appears to be damaged, carefully inspect your unit for damage and be sure all accessories necessary to operate the unit have arrived intact. In the event damage has been found or parts are missing, please contact our customer support team for further instructions. Please do not return this unit to your dealer without first contacting customer support at the number listed below. Please do not discard the shipping carton in the trash. Please recycle whenever possible.

BOX CONTENTS

- 2 Omega Brackets
- 5pin DMX Cable
- powerCON 32ACable **(does NOT use standard powerCON connector)**
- Safety Cable

CUSTOMER SUPPORT

Elation Professional® provides a customer support line, to provide set up help and to answer any question should you encounter problems during your set up or initial operation. You may also visit us on the web at www.elationlighting.com for any comments or suggestions. For service related issue please contact Elation Professional®.

ELATION SERVICE USA - Monday - Friday 8:00am to 5:00pm PST

Voice: 323-582-3322

Fax: 323-832-9142

E-mail: support@elationlighting.com

ELATION SERVICE EUROPE - Monday - Friday 08:30 to 17:00 CET

Voice: +31 45 546 85 30

Fax: +31 45 546 85 96

E-mail: support@elationlighting.eu

WARRANTY REGISTRATION

Please complete and mail in the enclosed warranty card or register online: <http://www.elationlighting.com/Login.aspx> to validate your purchase. All returned service items whether under warranty or not, must be freight pre-paid and accompany a return authorization (R.A.) number. The R.A. number must be clearly written on the outside of the return package. A brief description of the problem as well as the R.A. number must also be written down on a piece of paper and included in the shipping container. If the unit is under warranty, you must provide a copy of your proof of purchase invoice. Items returned without a R.A. number clearly marked on the outside of the package will be refused and returned at customer's expense. You may obtain a R.A. number by contacting customer support.



IMPORTANT NOTICE!

There are no user serviceable parts inside this unit. Do not attempt any repairs yourself; doing so will void your manufactures warranty. Damages resulting from modifications to this fixture and/or the disregard of safety and general user instructions found in this user manual void the manufactures warranty and are not subject to any warranty claims and/or repairs.

LIMITED WARRANTY

A. Elation Professional® hereby warrants, to the original purchaser, Elation Professional® products to be free of manufacturing defects in material and workmanship for a period of two years (730 days), and Elation Professional® product rechargeable batteries to be free of manufacturing defects in material and workmanship for a period of six months (180 days), from the original date of purchase. This warranty excludes discharge lamps and all product accessories. This warranty shall be valid only if the product is purchased within the United States of America, including possessions and territories. It is the owner's responsibility to establish the date and place of purchase by acceptable evidence, at the time service is sought.

B. For warranty service, send the product only to the Elation Professional® factory. All shipping charges must be pre-paid. If the requested repairs or service (including parts replacement) are within the terms of this warranty, Elation Professional® will pay return shipping charges only to a designated point within the United States. If any product is sent, it must be shipped in its original package and packaging material. No accessories should be shipped with the product. If any accessories are shipped with the product, Elation Professional® shall have no liability what so ever for loss and/or or damage to any such accessories, nor for the safe return thereof.

C. This warranty is void if the product serial number and/or labels are altered or removed; if the product is modified in any manner which Elation Professional® concludes, after inspection, affects the reliability of the product; if the product has been repaired or serviced by anyone other than the Elation Professional® factory unless prior written authorization was issued to purchaser by Elation Professional®; if the product is damaged because not properly maintained as set forth in the product instructions, guidelines and/or user manual.

D. This is not a service contract, and this warranty does not include any maintenance, cleaning or periodic check-up. During the periods as specified above, Elation Professional® will replace defective parts at its expense, and will absorb all expenses for warranty service and repair labor by reason of defects in material or workmanship. The sole responsibility of Elation Professional® under this warranty shall be limited to the repair of the product, or replacement thereof, including parts, at the sole discretion of Elation Professional®. All products covered by this warranty were manufactured after January 1, 1990, and bare identifying marks to that effect.

E. Elation Professional® reserves the right to make changes in design and/or performance improvements upon its products without any obligation to include these changes in any products theretofore manufactured.

F. No warranty, whether expressed or implied, is given or made with respect to any accessory supplied with the products described above. Except to the extent prohibited by applicable law, all implied warranties made by Elation Professional® in connection with this product, including warranties of merchantability or fitness, are limited in duration to the warranty periods set forth above. And no warranties, whether expressed or implied, including warranties of merchantability or fitness, shall apply to this product after said periods have expired. The consumer's and/or dealer's sole remedy shall be such repair or replacement as is expressly provided above; and under no circumstances shall Elation Professional® be liable for any loss and/or damage, direct and/or consequential, arising out of the use of, and/or the inability to use, this product.

G. This warranty is the only written warranty applicable to Elation Professional® products and supersedes all prior warranties and written descriptions of warranty terms and conditions heretofore published.

SAFETY INSTRUCTIONS AND GUIDELINES

This fixture is an extremely sophisticated piece of electronic equipment. To guarantee a smooth operation, it is important to follow all instructions and guidelines in this manual. The manufacturer of this device is not responsible for injury and/or damages resulting from the misuse of this fixture due to the disregard of the information printed in this manual. Only qualified and/or certified personnel should perform installation of this fixture and only the original rigging parts (omega brackets) included with this fixture should be used for installation. Any modifications to the fixture and/or the mounting hardware included will void the original manufacturer's warranty and increase the risk of damage and/or personal injury.



PROTECTION CLASS 1 - FIXTURE MUST BE PROPERLY GROUNDED

DO NOT PLUG FIXTURE INTO A DIMMER PACK!



NEVER OPEN THIS FIXTURE WHILE IN USE!

UNPLUG POWER BEFORE SERVICING FIXTURE!

NEVER TOUCH FIXTURE DURING OPERATION, AS IT MAY BE HOT!

KEEP FLAMMABLE MATERIALS AWAY FROM FIXTURE!



INDOOR / DRY LOCATIONS USE ONLY!

DO NOT EXPOSE FIXTURE TO RAIN AND MOISTURE!



NEVER LOOK DIRECTLY INTO THE LIGHT SOURCE!

RETINA INJURY RISK - MAY INDUCE BLINDNESS!

SENSITIVE PERSONS MAY SUFFER AN EPILEPTIC SHOCK!

SAFETY INSTRUCTIONS AND GUIDELINES



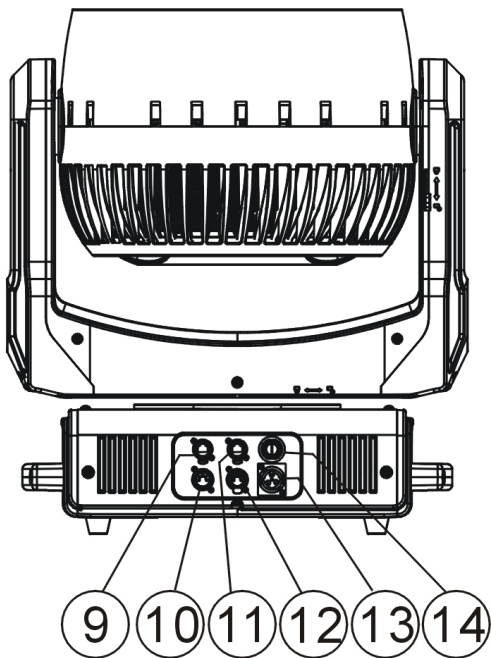
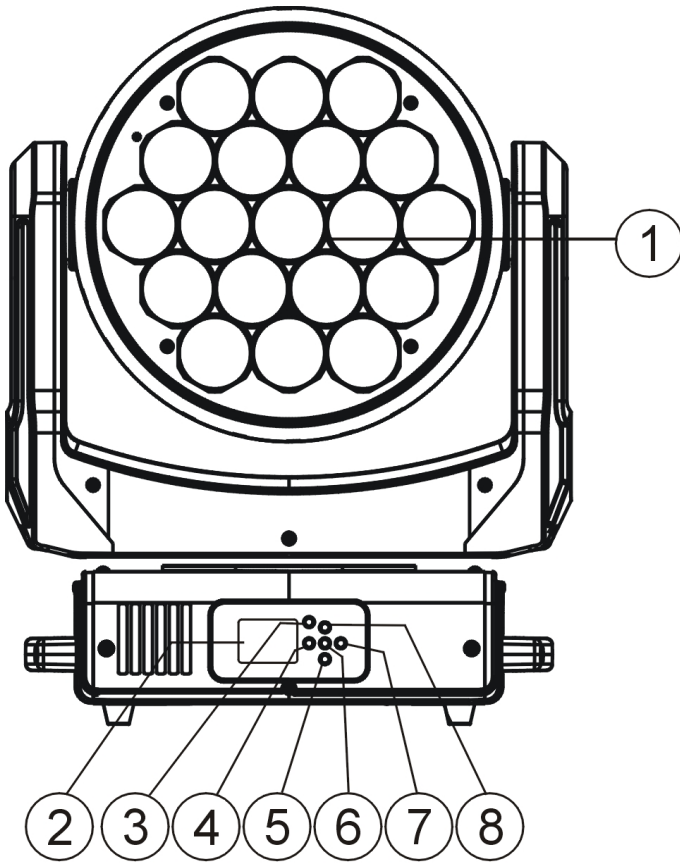
WARNING



Minimum distance to lighted objects 5.0 meters.
Maximum temperature of the external surface 85 °C.
Minimum distance of inflammable materials from the surface 0.5m.

- **DO NOT TOUCH** the fixture housing during operation. Turn OFF the power and allow approximately 15 minutes for the fixture to cool down before serving.
- **DO NOT** shake fixture, avoid brute force when installing and/or operating fixture.
- **DO NOT** operate fixture if the power cord has become frayed, crimped and/or damaged. If the power cord is damaged, replace it immediately with a new one of similar power rating.
- **DO NOT** block any air ventilation slots. All fan and air inlets must remain clean and never blocked. Allow approx. 6" (15cm) between fixture and other devices or a wall for proper cooling.
- When installing fixture in a suspended environment, always use mounting hardware that is no less than M10 x 25 mm, and always install fixture with an appropriately rated safety cable.
- Always disconnect fixture from main power source before performing any type of service and/or cleaning procedure. Only handle the power cord by the plug end, never pull out the plug by tugging the wire portion of the cord.
- During the initial operation of this fixture, a light smoke or smell may emit from the interior of the fixture. This is a normal process and is caused by excess paint in the interior of the casing burning off from the heat associated with the lamp and will decrease gradually over time.
- Consistent operational breaks will ensure the fixture will function properly for many years to come.
- Use the original packaging and materials to transport the fixture in for service.
- The average LED Life (hours) may vary depending on several factors including but not limited to: Environmental Conditions, Power/Voltage, Usage Patterns (On-Off Cycling), Control and Dimming.

OVERVIEW



1. LED Lens Array
2. LCD Menu Function Display
3. MODE/ESC Button
4. LEFT Button
5. DOWN Button
6. ENTER Button
7. RIGHT Button
8. UP Button
9. RJ45 Ethernet IN
10. 5pin DMX IN
11. RJ45 Ethernet OUT
12. 5pin DMX OUT
13. powerCON 32A IN
14. Fuse

INSTALLATION



FLAMMABLE MATERIAL WARNING

Keep fixture at least 5.0 feet (1.5m) away from any flammable materials, decorations, pyrotechnics, etc.



ELECTRICAL CONNECTIONS

A qualified electrician should be used for all electrical connections and/or installations.



WARNING



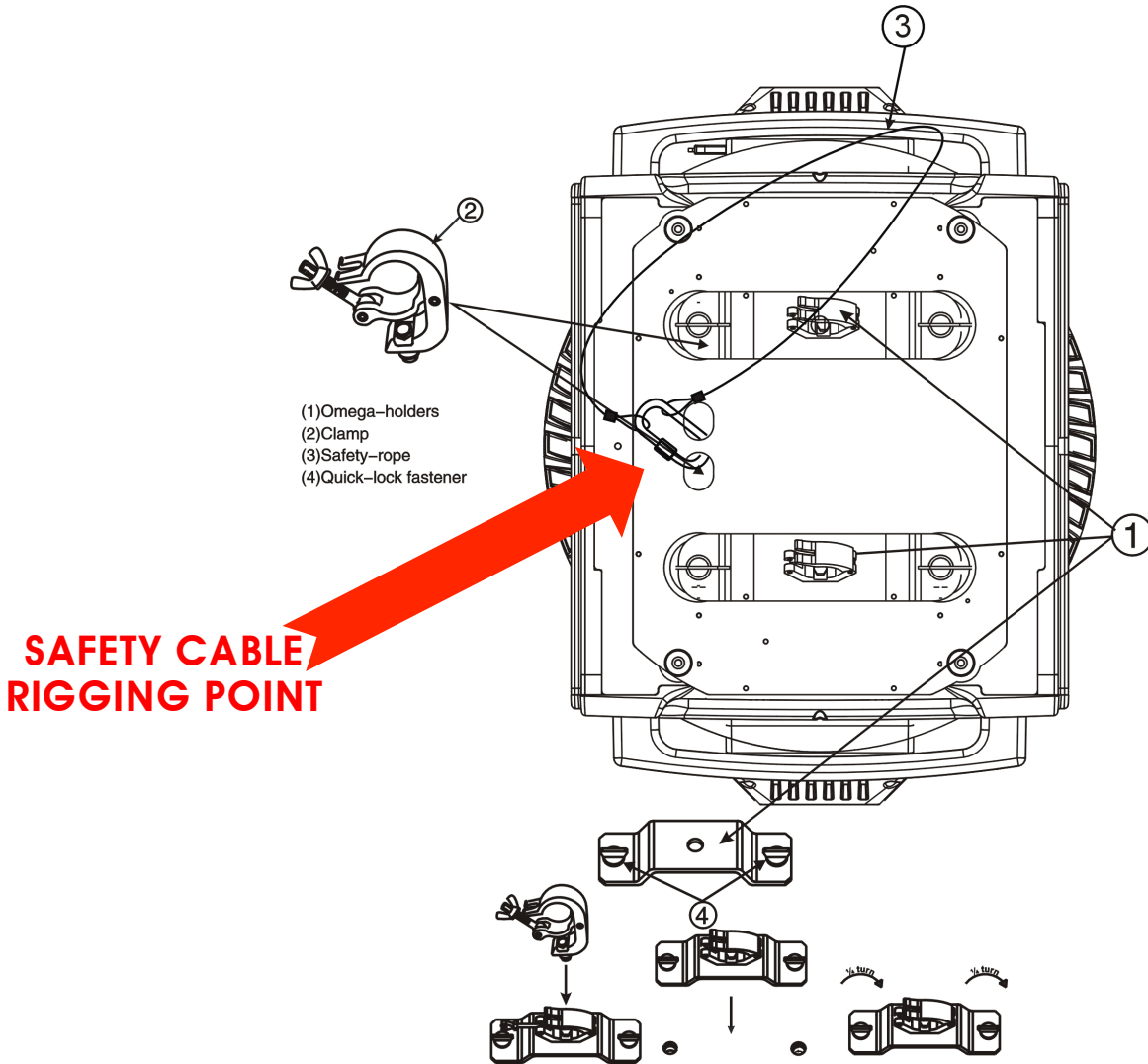
Minimum distance to lighted objects 5.0 meters.
Maximum temperature of the external surface 85 °C.
Minimum distance of inflammable materials from the surface 0.5m.

CAUTIONS

- For added protection, mount the fixture in areas outside walking paths, seating areas, or in areas where unauthorized personnel might reach the fixture.
- Ambient operating temperature range for this fixture is **14° to 113°F. (-10° to 45°C)**
Do not use the fixture under or above this temperature.
- Before mounting the fixture to any surface, make sure the installation area can hold a minimum point load of 10 times the weight of the fixture.
- Fixture installation must always be secured with a secondary safety attachment, such as an appropriate safety cable.
- Never stand directly below the device when mounting, removing or servicing.

OMEGA BRACKETS INSTALLATION

Insert the Omega Brackets into the matching holes on the bottom of the fixture. Secure the Omega Brackets to the fixture by turning each quick-lock fastener ¼ turn clockwise; making sure the fastener is completely locked.



CLAMP INSTALLATION

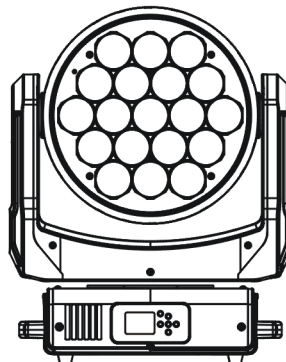
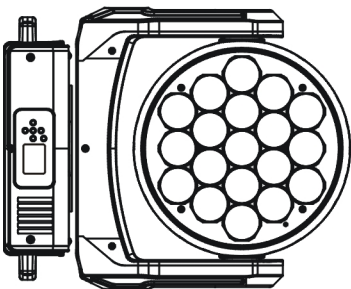
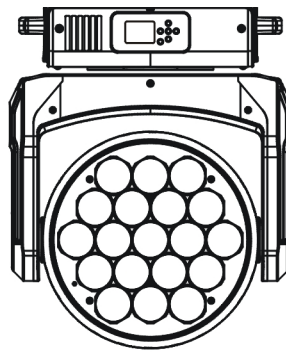
When mounting fixture to truss, be sure to secure an appropriately rated professional grade rigging clamp to the included **Omega Brackets** using an M10 screw fitted through the center hole of the **Omega Brackets**. The fixture provides a built-in rigging point for a **Safety Cable**. Be sure to only use the designated rigging point for the safety cable and never secure a safety cable to a carrying handle.

RIGGING

Overhead rigging requires extensive experience, including amongst others calculating working load limits, installation material being used, and periodic safety inspection of all installation material and the fixture. If you lack these qualifications, do not attempt the installation yourself. Improper installation can result in bodily injury. Fixture is fully operational in the specific mounting positions illustrated below.



2 PERSONS REQUIRED FOR INSTALLATION!



S A F E T Y C A B L E

**ALWAYS ATTACH A SAFETY CABLE
WHENEVER INSTALLING THIS FIXTURE
IN A SUSPENDED ENVIRONMENT TO
ENSURE THE FIXTURE WILL NOT DROP
IF THE CLAMP FAILS.**

ART-NET CONNECTION

When connecting fixture to a network switch to control multiple devices, a **Gigabit Ethernet Switch** that supports **IGMP (Internet Group Management Protocol)** is required. Using a **Gigabit Ethernet Switch** that does not support **IGMP** can cause erratic behavior of all connected devices to the switch.

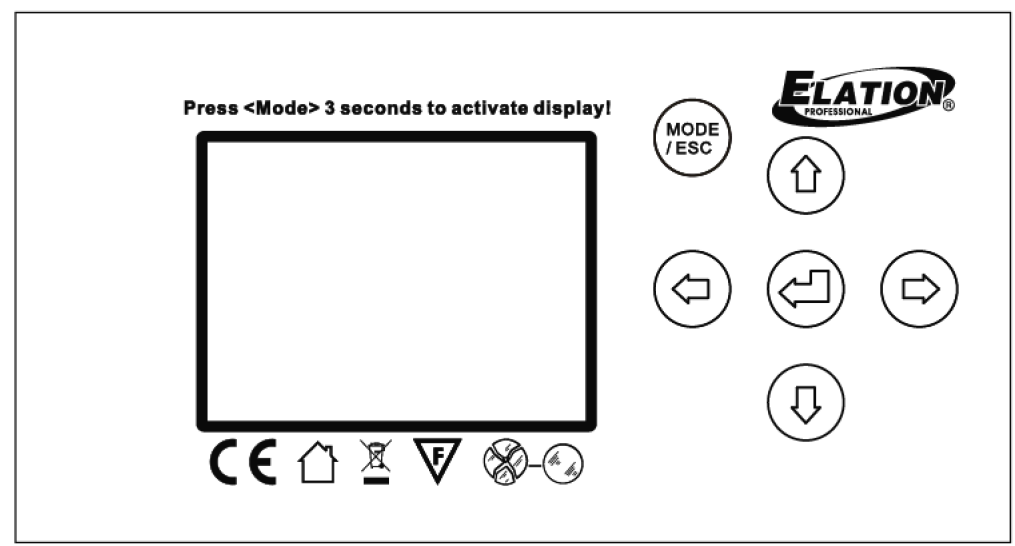
Click link below for more information about IGMP.

https://en.wikipedia.org/wiki/Internet_Group_Management_Protocol

SYSTEM MENU

The fixture includes an easy to navigate system menu. The control panel (see image below) located on the front of the fixture, provides access to the main system menu and is where all necessary system adjustments are made to the fixture. During normal operation, pressing **MODE/ESC** button once will access the fixture's main menu. Once in the main menu you can navigate through the different functions and access the sub-menus with the **UP**, **DOWN**, **RIGHT**, and **LEFT** buttons. Once you reach a field that requires adjusting, press the **ENTER** button to activate that field and use the **UP** and **DOWN** buttons to adjust the field. Pressing the **ENTER** button once more will confirm your setting. You may exit the main menu at any time without making any adjustments by pressing the **MODE/ESC** button.

- ▶ **NOTE:** To access the LCD Menu Control Display via the internal battery, press and hold the **MODE/ESC** button for 3 seconds. The LCD Menu Control Display will shut **OFF** automatically about 1 minute from the last button press.



ELATION® PLATINUM 1200 WASH™ SYSTEM MENU

Features are subject to change without any prior written notice.

Supports Software Versions: ≥ 2.1.0

MAIN MENU	SUB MENU	OPTIONS / VALUES (Default Settings in BOLD)			
FUNCTION	Set DMX Address	001 ~xxx		DMX Address Setting	
	DMX Value	ALL.....		DMX Value Display	
	Slave Mode	Slave1, Slave2, Slave3		Slave Setting	
	Auto Program	Master / Alone		Auto Program	
INFORMATION	Time Information	Current Time	XXXX (Hours)	Fixture Run Time From Power ON	
		Total Run Time	XXXX (Hours)	Fixture Total Run Time	
		Last Run Time	XXXX (Hours)	Clear Fixture Last Run Time	
		LastRun Password	Password=XXX	Password 038	
		Clear Last Run	ON / OFF	Reset Fixture Last Run Time	
	Temperature Info	Head Temperature	XXX C° / F °	Temperature in Fixture Head	
	Ethernet IP	XXX . XXX . XXX . XXX	XXX . XXX . XXX . XXX	IP Address	
	Fan Speed	FAN1 :xxx RPM, FAN2:xxx RPM, FAN3:xxx RPM		Displays RPM Speeds of Fans	
	Software Version	1U01: - 3U01: Vx.x.x		Software Versions	
Error Info	Error Record 1 ~ Error Record 10		Displays Last 10 Error Codes		
PERSONALITY	Status Settings	Address via DMX	ON/OFF	Address Via DMX	
		No DMX Status	Hold /Close Shutter/ Auto Program	Auto Run If No DMX	
		Pan Reverse	ON/ OFF	Pan Reverse Movement	
		Tilt Reverse	ON/ OFF	Tilt Reverse Movement	
		Pan Degree	630/ 540	Pan Degree Select	
		Feedback	ON/OFF	Movement Feedback	
		Movement Speed	Speed 1 , 2, 3, 4	Select Movement Speed	
		Zoom Range Mode	Mode 1 , Mode 2	Select Zoom Range Mode	
		Hibernation	OFF, 01M~99M, 15M	Stand By Mode	
	Service Setting	Password	Password= 050		Service Password
		RDM PID	XXXXX		RDM PID Code
		Ethernet IP	XXX . XXX . XXX . XXX		Ethernet IP
		Ethernet Mask IP	XXX . XXX . XXX . XXX		Ethernet Mask IP
		Clear Err. Info	ON/ OFF		Clear Error Code History
	Fans Control	Auto , Low, High		Set Fan Speed	
	Display Setting	Shutoff Time	02~60m 05m	Display Shut Off Time	
		Flip Display	ON/ OFF	Flip/Invert Display 180°	
		Key Lock	ON/ OFF	Key Lock	
		Disp Flash	ON/OFF	Display Flashes When No DMX Signal	
	Temperature C/F	Celsius/Fahrenheit		Temperature Switch Between C° / F°	
	Initial Status	PAN =XXX		Initial Effect Position	
	Dimmer Modes	Standard , Stage, TV, Architectural, Theatre			
	Select Signal	DMX Only		DMX Only	
		Art-Net on IP2	Elect Art-Net IP02		
		Art-Net on IP10	Elect Art-Net IP010		
		sACN	sACN Protocol		
	Set Universe	000 - 255		Set Art-Net Universe	
	Refresh	1200 , 900-1500, 2500, 4000, 5000, 10000, 15000, 20000, 25000 (Hz)		Set Refresh Rate	
	Gamma	2.0, 2.2 , 2.4, 2.6, 2.8		Set Gamma Value	
	Reset Default	ON/ OFF	Password 011	Restore Factory Settings NOTE: Saved White Balance Erased!	

ELATION® PLATINUM 1200 WASH™ SYSTEM MENU

Features are subject to change without any prior written notice.

Supports Software Versions: ≥ 2.1.0

MAIN MENU	SUB MENU	OPTIONS / VALUES (Default Settings in BOLD)		DESCRIPTION	
Reset Function	Reset All			Reset All Motors	
	Reset Pan&Tilt			Reset Pan/Tilt	
	Reset Zoom			Reset Zoom	
Effect Adjust	Test Channel	PAN		Test function	
	Manual Control	PAN =XXX,		Fine Adjustments	
	Calibration	Calibration Password		Password 050	
User Mode Set	User Mode	Standard Mode		DMX Channel Modes	
		Basic Mode			
		Extended Mode			
		User Mode A		User Defined Channel Assignment	
		User Mode B			
	User Mode C				
	Edit User Mode	Edit User Mode A	Max Channel = XX		Edits User Defined Channel Assignments
Edit User Mode B		PAN = CH01			
Edit User Mode C					
Edit Program	Select Program	Auto Pro Part1 = Program 1~10 (Program 1)		Select Programs To Be Run	
		Auto Pro Part2 = Program 1~10 (Program 2)			
		Auto Pro Part3 = Program 1~10 (Program 3)			
	Edit Program	Program 1	Program Test		Testing Program
		:	Step 01=SCxxx		Program In Loop
		Program 10	Step 64=SCxxx		Save and Exit
	Edit Scenes	Scene 001	Pan,Tilt,.....		Save and Automatically Return
		~	--Fade Time--		Manual Scenes Edit
		Scene 250	--Scene Time--		
	Rec. Controller	XX~XX	Input By Outside		Stores Scenes via Ext DMX Console
				Automatic Scenes Recorder	

PERSONALITY - Status Settings - Address Via DMX

When ON, define the desired fixture DMX address via an external controller.

NOTE: This process assumes the fixture DMX address is set to 001. If fixture DMX address is not at 001, you must adjust the channel numbers accordingly in order for this feature to work.

For example: if your fixture address is 010, then Channel 1 becomes Channel 10, Channel 2 becomes Channel 11, and Channel 3 becomes Channel 12.

1. Connect the fixture to the external controller and power ON.
2. Set the DMX value of **Channel 1** on the controller to **(7)**.
3. Set the DMX value of **Channel 2** on the controller to **(7)** or **(8)**.

When set to **(7)**, the DMX address can be set between **(1)** and **(255)**.

When set to **(8)**, the DMX address can be set between **(256)** and **(511)**.

4. Using **Channel 3** on the controller set the desired DMX address of the fixture.

Example 1: If the desired DMX address is **57**, set **Channel 1** to a value of **(7)**, set **Channel 2** to a value of **(7)**, and then set **Channel 3** to a value of **(57)**.

Example 2: If the desired DMX address is **420**, set **Channel 1** to a value of **(7)**, set **Channel 2** to a value of **(8)**, and then set **Channel 3** to a value of **(164)**.
(256+164=420)

5. After setting **Channel 3** to the desired DMX address value, wait for approximately 20 seconds (some fixtures may require a longer time) for the new address to be assigned to the fixture.

PERSONALITY – Service Setting - Password (050)

► **NOTE:** The Service Password MUST be entered in order to access the following menus: **RDM PID, Ethernet IP, Ethernet IP Mask, and Clear Err. Info.**

PERSONALITY – Service Setting - RDM PID

Select various submenus via RDM. RDM stands for "Remote Device Management", which provides the ability to control the device remotely while connected to a DMX-bus. ANSI E1.20-2006 by ESTA specifies the RDM standard as an extension of the DMX512 protocol. Manual settings like adjusting the DMX starting address are no longer needed. This is especially useful when the device is installed in a remote area.

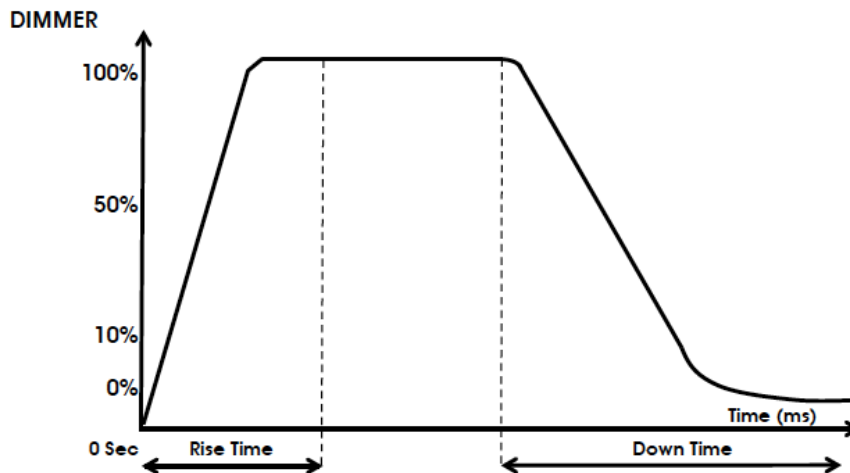
RDM ready and conventional DMX devices can be operated in one DMX line. The RDM protocol sends its own packages in the DMX512 data feed and does not influence conventional devices. If DMX splitters are used and RDM control is to be used, these splitters must support RDM. The number and type of RDM parameters depend on the RDM controller being used.

PERSONALITY - Display Setting – Key Lock

When ON, Control Panel buttons lock automatically after exiting main menu for 15 seconds. To unlock, keep **MODE/ESC** button pressed for 3 seconds.

PERSONALITY - Dimming Modes

Select desired DIMMER MODE (**Standard, Stage, TV, Architectural, Theatre**).



Dimming Curve Ramp Effect	0 sec Fade Time		1 sec Fade Time	
	Rise Time (ms)	Down Time (ms)	Rise Time (ms)	Down Time (ms)
Standard (default)	0	0	0	0
Stage	780	1100	1540	1660
TV	1180	1520	1860	1940
Architectural	1380	1730	2040	2120
Theatre	1580	1940	2230	2280

PERSONALITY - Reset Default (011)



ONLY QUALIFIED TECHNICIANS SHOULD PERFORM THIS FUNCTION.

NOTE: SAVED WHITE BALANCE IS ERASED AFTER A RESET IS PERFORMED.

This function restores all fixture settings to the factory default settings. The password is **011** and must be entered each time a reset is performed.

EFFECT ADJUST – Test Channel

Auto test each individual channel function independently from the DMX control board.

EFFECT ADJUST – Manual Control

Select and manually test and fine adjust each individual channel function independently from DMX control board. This function will center PAN and TILT motors and set dimmer to 100%. PAN and TILT functions will still operate if the fixture needs to be positioned to a flat clear surface. With the individual functions, you can focus the light on a flat surface (wall) and perform fine adjustments.

EFFECT ADJUST – Calibration



ONLY QUALIFIED TECHNICIANS SHOULD PERFORM THIS FUNCTION.

This function allows small adjustments to be made to the Pan, Tilt, and Zoom movements to compensate for wear or in the event a sensor has been knocked slightly out of place. Because improper use of this function can result in undesired operation this function has been password protected. The password is **050** and must be entered each time the calibration menu function is entered. Because calibration is an extremely delicate procedure, instructions on performing this action are left out of this manual. For a first time calibrator, please contact our customer support team for step-by-step instructions.

USER MODE SET – Edit User Mode

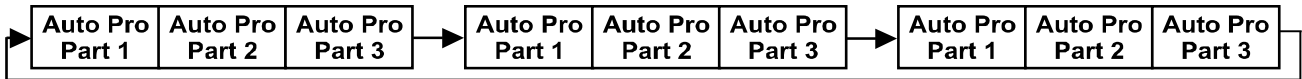
Create user defined channel orders allowing the fixture to match the channel order of other fixtures on the market for easier operation. A total of three user modes may be configured: User Mode A, User Mode B, and User Mode C.

EDIT PROGRAM – Rec. Controller

The fixture features an integrated DMX-recorder by which you can transmit the programmed scenes from your DMX-controller to the moving head. Adjust the desired scene numbers via the encoder (from – to). When you call up the scenes at your controller, they will automatically be transmitted to the moving head.

EDIT PROGRAM – Record Controller – Working With Built In Programs

A Master unit can send up to 3 different data groups to the Slave units, i.e. a Master unit can start 3 different Slave units, which run 3 different programs. The Master unit sends the 3 program parts in a continuous loop.



The Slave unit receives data from the Master unit according to the group which the Slave unit was assigned to. If e.g. a Slave unit is set to “**Slave 1**” in the menu “**Set to Slave**”, the Master unit sends “**Auto Program Part 1**” to the Slave unit.

If set to “**Slave 2**”, the Slave unit receives “**Auto Program Part 2**”.

To start an Auto Program proceed as follows:

1. Slave Setting

- Select “**Function Mode**”.
- Press **ENTER** to confirm.
- Select “**Set to Slave**”.
- Press **ENTER** to confirm.
- Select “**Slave 1**”, “**Slave 2**” or “**Slave 3**”.
- Press **ENTER** to confirm.
- Press **MODE/ESC** in order to return to the main menu.

2. Automatic Program Run

- Select “**Function Mode**”.
- Press **ENTER** to confirm.
- Select “**Auto Program**”.
- Press **ENTER** to confirm.
- Select “**Master**” or “**Alone**”.
- Press **ENTER** to confirm.
- Press **MODE/ESC** in order to return to the main menu.

EDIT PROGRAM – Record Controller – Working With Built-In Program [continued]

3. Program Selection for Auto Pro Part

- Select “**Edit Program**”.
- Press **ENTER** to confirm.
- Select “**Select Programs**”.
- Press **ENTER** to confirm.
- Select “**Auto Pro Part 1**”, “**Auto Pro Part 2**” or “**Auto Pro Part 3**”, and select which Slave program is to be sent. Selection “**Part 1**” means, that the Slave unit runs the same program as the master units.
- Press **ENTER** to confirm.
- Press **MODE/ESC** in order to return to the main menu.

4. Program Selection for Edit Program

- Select “**Edit Program**”.
- Press **ENTER** to confirm.
- Select “**Edit Program**”.
- Press **ENTER** to confirm.
- Select the desired program to edit specific scenes into a specific program.
- Press **ENTER** to confirm.
- Press **MODE/ESC** in order to return to the main menu.

5. Automatic Scene Recording

- Select “**Edit Program**”.
- Press **ENTER** to confirm.
- Select “**Edit Scenes**”.
- Select desired scene numbers. A maximum of 250 scenes can be programmed.
- Press **ENTER** to confirm.
- Press **MODE/ESC** in order to return to the main menu.

EDIT PROGRAM – Record Controller – Working With Built-In Program [continued]

Example:

Program 2 includes scenes: 10, 11, 12, & 13

Program 4 includes scenes: 8, 9, & 10

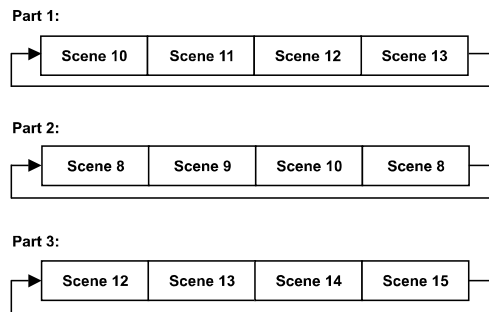
Program 6 includes scenes: 12, 13, 14, & 15

Auto Pro Part 1 is Program 2

Auto Pro Part 2 is Program 3

Auto Pro Part 3 is Program 6

The 3 Slave groups run the Auto Program in certain time segments. (See diagram below)



WHITE BALANCE SETTING

This feature provides the ability to individually adjust the maximum dimmer intensity for each LED color (Red, Green, Blue, and White) and store these values as a White Balance preset. This can be a useful tool when the output intensity of a group of same model fixtures with varying usage times, needs to be calibrated to match as much as possible. Once a new White Balance preset is saved to the fixture, the maximum dimmer intensity values cannot be changed until the White Balance preset is updated, erased or restored to the factory default setting.

1. Set ALL DMX channels to zero (0) then set the **SPECIAL FUNCTIONS** channel (CH17 in Basic Mode, CH35 in Stand Mode, CH93 in Extend Mode) to DMX value of (91-93) **EDIT and SAVE WHITE BALANCE ENABLED.**
2. Set the **COLOR MODE - WHITE BALANCE** channel (CH15 in Basic Mode, CH33 in Stand Mode, CH91 in Extend Mode) to DMX value of (190-254) **EDIT and SAVE WHITE BALANCE Setting.**
3. Adjust each LED color channel to the desired intensity level (0-255).
4. Set the **COLOR MODE - WHITE BALANCE** channel (CH15 in Basic Mode, CH33 in Stand Mode, CH91 in Extend Mode) to DMX value of (255) **SAVE New WHITE BALANCE Setting** to Fixture(s).
5. To save a new White Balance preset, repeat steps 1-4 above.

DMX CHANNEL FUNCTIONS AND VALUES

ELATION® PLATINUM 1200 WASH™				
DMX Channel Values / Functions (93 Total DMX Channels)				
Supports Software Versions: ≥ 2.1.0				
Features are subject to change without any prior written notice.				
*Rotation direction (Clockwise or Counterclockwise) of effects depends on orientation of the fixture head and Pan/Tilt settings.				
MODE / CHANNEL			VALUE	FUNCTION
BASIC	STAND	EXTEND		
1	1	1		PAN MOVEMENT [8 BIT]
			0-255	PAN Movement
	2	2		PAN FINE MOVEMENT [16 BIT]
			0-255	Fine Control of PAN Movement
2	3	3		TILT MOVEMENT [8 BIT]
			0-255	TILT Movement
	4	4		TILT MOVEMENT [16 BIT]
			0-255	Fine Control of TILT Movement
3	5			RED [ALL PIXELS]
			0-255	Red (0-Black - 255-100%)
	6			RED FINE [ALL PIXELS]
			0-255	Red FINE Adjustment
4	7			GREEN [ALL PIXELS]
			0-255	Green (0-Black - 255-100%)
	8			GREEN FINE [ALL PIXELS]
			0-255	Green FINE Adjustment
5	9			BLUE [ALL PIXELS]
			0-255	Blue (0-Black - 255-100%)
	10			BLUE FINE [ALL PIXELS]
			0-255	Blue FINE Adjustment
6	11			WHITE [ALL PIXELS]
			0-255	White (0-Black - 255-100%)
	12			WHITE FINE [ALL PIXELS]
			0-255	White FINE Adjustment
	13			RED [CENTER PIXEL 1]
			0-255	Red (0-Black - 255-100%)
	14			GREEN [CENTER PIXEL 1]
			0-255	Green (0-Black - 255-100%)
	15			BLUE [CENTER PIXEL 1]
			0-255	Blue (0-Black - 255-100%)
	16			WHITE [CENTER PIXEL 1]
			0-255	White (0-Black - 255-100%)
	17			RED [PIXEL RING 2]
			0-255	Red (0-Black - 255-100%)
	18			GREEN [PIXEL RING 2]
			0-255	Green (0-Black - 255-100%)
	19			BLUE [PIXEL RING 2]
			0-255	Blue (0-Black - 255-100%)
	20			WHITE [PIXEL RING 2]
			0-255	White (0-Black - 255-100%)

Supports Software Versions: ≥ 2.1.0

Features are subject to change without any prior written notice.

**Rotation direction (Clockwise or Counterclockwise) of effects depends on orientation of the fixture head and Pan/Tilt settings.*

MODE / CHANNEL			VALUE	FUNCTION
BASIC	STAND	EXTEND		
	21			RED [PIXEL RING 3]
			0-255	Red (0-Black - 255-100%)
	22			GREEN [PIXEL RING 3]
			0-255	Green (0-Black - 255-100%)
	23			BLUE [PIXEL RING3]
			0-255	Blue (0-Black - 255-100%)
	24			WHITE [PIXEL RING 3]
			0-255	White (0-Black - 255-100%)
		5		RED [PIXEL 1]
			0-255	Red (0-Black - 255-100%)
		6		GREEN [PIXEL 1]
			0-255	Green (0-Black - 255-100%)
		7		BLUE [PIXEL 1]
			0-255	Blue (0-Black - 255-100%)
		8		WHITE [PIXEL 1]
			0-255	White (0-Black - 255-100%)
		9		RED [PIXEL 2]
			0-255	Red (0-Black - 255-100%)
		10		GREEN [PIXEL 2]
			0-255	Green (0-Black - 255-100%)
		11		BLUE [PIXEL 2]
			0-255	Blue (0-Black - 255-100%)
		12		WHITE [PIXEL 2]
			0-255	White (0-Black - 255-100%)
		13		RED [PIXEL 3]
			0-255	Red (0-Black - 255-100%)
		14		GREEN [PIXEL 3]
			0-255	Green (0-Black - 255-100%)
		15		BLUE [PIXEL 3]
			0-255	Blue (0-Black - 255-100%)
		16		WHITE [PIXEL 3]
			0-255	White (0-Black - 255-100%)
		17		RED [PIXEL 4]
			0-255	Red (0-Black - 255-100%)
		18		GREEN [PIXEL 4]
			0-255	Green (0-Black - 255-100%)
		19		BLUE [PIXEL 4]
			0-255	Blue (0-Black - 255-100%)
		20		WHITE [PIXEL 4]
			0-255	White (0-Black - 255-100%)
		21		RED [PIXEL 5]
			0-255	Red (0-Black - 255-100%)
		22		GREEN [PIXEL 5]
			0-255	Green (0-Black - 255-100%)
		23		BLUE [PIXEL 5]
			0-255	Blue (0-Black - 255-100%)
		24		WHITE [PIXEL 5]
			0-255	White (0-Black - 255-100%)

Supports Software Versions: $\geq 2.1.0$

Features are subject to change without any prior written notice.

*Rotation direction (Clockwise or Counterclockwise) of effects depends on orientation of the fixture head and Pan/Tilt settings.

MODE / CHANNEL			VALUE	FUNCTION
BASIC	STAND	EXTEND		
		25		RED [PIXEL 6]
			0-255	Red (0-Black - 255-100%)
		26		GREEN [PIXEL 6]
			0-255	Green (0-Black - 255-100%)
		27		BLUE [PIXEL 6]
			0-255	Blue (0-Black - 255-100%)
		28		WHITE [PIXEL 6]
			0-255	White (0-Black - 255-100%)
		29		RED [PIXEL 7]
			0-255	Red (0-Black - 255-100%)
		30		GREEN [PIXEL 7]
			0-255	Green (0-Black - 255-100%)
		31		BLUE [PIXEL 7]
			0-255	Blue (0-Black - 255-100%)
		32		WHITE [PIXEL 7]
			0-255	White (0-Black - 255-100%)
		33		RED [PIXEL 8]
			0-255	Red (0-Black - 255-100%)
		34		GREEN [PIXEL 8]
			0-255	Green (0-Black - 255-100%)
		35		BLUE [PIXEL 8]
			0-255	Blue (0-Black - 255-100%)
		36		WHITE [PIXEL 8]
			0-255	White (0-Black - 255-100%)
		37		RED [PIXEL 9]
			0-255	Red (0-Black - 255-100%)
		38		GREEN [PIXEL 9]
			0-255	Green (0-Black - 255-100%)
		39		BLUE [PIXEL 9]
			0-255	Blue (0-Black - 255-100%)
		40		WHITE [PIXEL 9]
			0-255	White (0-Black - 255-100%)
		41		RED [PIXEL 10]
			0-255	Red (0-Black - 255-100%)
		42		GREEN [PIXEL 10]
			0-255	Green (0-Black - 255-100%)
		43		BLUE [PIXEL 10]
			0-255	Blue (0-Black - 255-100%)
		44		WHITE [PIXEL 10]
			0-255	White (0-Black - 255-100%)

Supports Software Versions: ≥ 2.1.0

Features are subject to change without any prior written notice.

**Rotation direction (Clockwise or Counterclockwise) of effects depends on orientation of the fixture head and Pan/Tilt settings.*

MODE / CHANNEL			VALUE	FUNCTION
BASIC	STAND	EXTEND		
		45		RED [PIXEL 11]
			0-255	Red (0-Black - 255-100%)
		46		GREEN [PIXEL 11]
			0-255	Green (0-Black - 255-100%)
		47		BLUE [PIXEL 11]
			0-255	Blue (0-Black - 255-100%)
		48		WHITE [PIXEL 11]
			0-255	White (0-Black - 255-100%)
		49		RED [PIXEL 12]
			0-255	Red (0-Black - 255-100%)
		50		GREEN [PIXEL 12]
			0-255	Green (0-Black - 255-100%)
		51		BLUE [PIXEL 12]
			0-255	Blue (0-Black - 255-100%)
		52		WHITE [PIXEL 12]
			0-255	White (0-Black - 255-100%)
		53		RED [PIXEL 13]
			0-255	Red (0-Black - 255-100%)
		54		GREEN [PIXEL 13]
			0-255	Green (0-Black - 255-100%)
		55		BLUE [PIXEL 13]
			0-255	Blue (0-Black - 255-100%)
		56		WHITE [PIXEL 13]
			0-255	White (0-Black - 255-100%)
		57		RED [PIXEL 14]
			0-255	Red (0-Black - 255-100%)
		58		GREEN [PIXEL 14]
			0-255	Green (0-Black - 255-100%)
		59		BLUE [PIXEL 14]
			0-255	Blue (0-Black - 255-100%)
		60		WHITE [PIXEL 14]
			0-255	White (0-Black - 255-100%)
		61		RED [PIXEL 15]
			0-255	Red (0-Black - 255-100%)
		62		GREEN [PIXEL 15]
			0-255	Green (0-Black - 255-100%)
		63		BLUE [PIXEL 15]
			0-255	Blue (0-Black - 255-100%)
		64		WHITE [PIXEL 15]
			0-255	White (0-Black - 255-100%)
		65		RED [PIXEL 16]
			0-255	Red (0-Black - 255-100%)
		66		GREEN [PIXEL 16]
			0-255	Green (0-Black - 255-100%)
		67		BLUE [PIXEL 16]
			0-255	Blue (0-Black - 255-100%)
		68		WHITE [PIXEL 16]
			0-255	White (0-Black - 255-100%)

Supports Software Versions: $\geq 2.1.0$

Features are subject to change without any prior written notice.

*Rotation direction (Clockwise or Counterclockwise) of effects depends on orientation of the fixture head and Pan/Tilt settings.

MODE / CHANNEL			VALUE	FUNCTION
BASIC	STAND	EXTEND		
		69		RED [PIXEL 17]
			0-255	Red (0-Black - 255-100%)
		70		GREEN [PIXEL 17]
			0-255	Green (0-Black - 255-100%)
		71		BLUE [PIXEL 17]
			0-255	Blue (0-Black - 255-100%)
		72		WHITE [PIXEL 17]
			0-255	White (0-Black - 255-100%)
		73		RED [PIXEL 18]
			0-255	Red (0-Black - 255-100%)
		74		GREEN [PIXEL 18]
			0-255	Green (0-Black - 255-100%)
		75		BLUE [PIXEL 18]
			0-255	Blue (0-Black - 255-100%)
		76		WHITE [PIXEL 18]
			0-255	White (0-Black - 255-100%)
		77		RED [PIXEL 19]
			0-255	Red (0-Black - 255-100%)
		78		GREEN [PIXEL 19]
			0-255	Green (0-Black - 255-100%)
		79		BLUE [PIXEL 19]
			0-255	Blue (0-Black - 255-100%)
		80		WHITE [PIXEL 19]
			0-255	White (0-Black - 255-100%)

Supports Software Versions: ≥ 2.1.0

Features are subject to change without any prior written notice.

*Rotation direction (Clockwise or Counterclockwise) of effects depends on orientation of the fixture head and Pan/Tilt settings.

MODE / CHANNEL			VALUE	FUNCTION
BASIC	STAND	EXTEND		
7	25	81		COLOR PRESETS
			0-4	NO FUNCTION
			5-9	WHITE 2700K
			10-14	WHITE 3200K
			15-19	WHITE 4300K
			20-24	WHITE 5600K
			25-29	WHITE 6500K
			30-34	WHITE 8000K
			35-39	RED [all LEDs]
			40-44	GREEN [all LEDs]
			45-49	BLUE [all LEDs]
			50-54	NATURAL WHITE [all LEDs]
			55-59	FULL WHITE [all LEDs]
			60-64	YELLOW [all LEDs]
			65-69	MAGENTA [all LEDs]
			70-74	CYAN [all LEDs]
			75-79	SALMON [all LEDs]
			80-84	TURQUOISE [all LEDs]
			85-89	LIGHT GREEN [all LEDs]
			90-94	STEEL BLUE [all LEDs]
			95-99	ORANGE [all LEDs]
			100-104	STRAW [all LEDs]
			105-109	PALE LAVENDER [all LEDs]
			110-114	PINK [all LEDs]
			115-119	RED/WHITE [outside ring / inside ring & center pixel]
120-124	GREEN/RED [outside ring / inside ring & center pixel]			
125-129	BLUE/RED [outside ring / inside ring & center pixel]			
130-134	WHITE/RED [outside ring / inside ring & center pixel]			
135-139	WHITE/PINK[outside ring / inside ring & center pixel]			
140-144	WHITE/TURQUOISE [outside ring / inside ring & center pixel]			
145-149	SMALL RED/WHITE [center pixel / outside & inside rings]			
150-255	RESERVED			
8	26	82		SHUTTER, STROBE
			0-31	LEDs OFF
			32-63	LEDs ON
			64-95	Strobe Effect SLOW to FAST
			96-127	LEDs ON
			128-159	Pulse Effect In Sequences
			160-191	LEDs ON
			192-223	Random Strobe Effect SLOW to FAST
224-255	LEDs ON			

Supports Software Versions: $\geq 2.1.0$

Features are subject to change without any prior written notice.

*Rotation direction (Clockwise or Counterclockwise) of effects depends on orientation of the fixture head and Pan/Tilt settings.

MODE / CHANNEL			VALUE	FUNCTION
BASIC	STAND	EXTEND		
9	27	83		DIMMER INTENSITY
			0-255	Dimmer 0 to 100%
		84		DIMMER INTENSITY FINE
			0-255	Dimmer FINE Adjustment
10	28	85		DIMMER MODES
			0-20	Standard
			21-40	Stage
			41-60	TV
			61-80	Architectural
			81-100	Theatre
		101-255	Default to Setting on Fixture	
11	29	86		MOTORIZED ZOOM
			0-255	ZOOM Adjustment from SMALL to BIG
		87		MOTORIZED ZOOM FINE
			0-255	ZOOM FINE Adjustment
12	30	88		PATTERNS AND CHASE MACROS
			0-14	NO FUNCTION (LEDs OFF)
			15-30	Center Pixel
			31-46	Inside Pixel Ring
			47-62	Outside Pixel Ring
			63-78	Center Pixel & Inside Pixel Ring
			79-94	Inside & Outside Pixel Rings
			95-110	All Pixels
			111-126	Chase 1
			127-142	Chase 2
			143-158	Chase 3
			159-174	Chase 4
			175-190	Chase 5
			191-206	Chase 6
			207-222	Chase 7
223-238	Chase 8			
239-255	Chase 9			
13	31	89		CHASE SPEED
			0-125	*Counterclockwise Chase Speed FAST to SLOW
			126-130	STOP (Speed = 0)
			131-255	*Clockwise Chase Speed SLOW to FAST
14	32	90		CHASE FADE
			0-255	Chase Fade
15	33	91		COLOR MODE - WHITE BALANCE
			0-189	NO FUNCTION
			190-254	EDIT a New WHITE BALANCE Setting
			255	SAVE New WHITE BALANCE Setting to Fixture(s)
				*NOTE: DMX VALUE of 91-93 MUST FIRST BE SELECTED ON CH17 (Basic), CH35 (Stand), or CH93 (Extend) TO ENABLE FEATURE.
16	34	92		PAN / TILT MOVEMENT SPEED
			0-225	MAX to MIN Speed
			226-235	Blackout by Movement
			236-255	NO FUNCTION

NOTE
Colors must be selected for PATTERNS AND CHASE MACROS to function and colors are determined by the RGBW and/or COLOR PRESETS values selected.

Supports Software Versions: \geq 2.1.0

Features are subject to change without any prior written notice.

**Rotation direction (Clockwise or Counterclockwise) of effects depends on orientation of the fixture head and Pan/Tilt settings.*

MODE / CHANNEL			VALUE	FUNCTION
BASIC	STAND	EXTEND		
17	35	93		SPECIAL FUNCTIONS / INTERNAL PROGRAMS
			0-79	Color Change Normal
			80-84	ALL MOTOR RESET
			85-87	SCAN MOTOR RESET
			88-90	NO FUNCTION
			91-93	EDIT and SAVE WHITE BALANCE ENABLED
			94-96	NO FUNCTION
			97-99	OTHER MOTORS RESET
			100-119	Internal Program 1 (Scene1-8)
			120-139	Internal Program 2 (Scene 9-16)
			140-159	Internal Program 3 (Scene 17-24)
			160-179	Internal Program 4 (Scene 25-32)
			180-199	Internal Program 5 (Scene 33-40)
			200-219	Internal Program 6 (Scene 41-48)
			220-239	Internal Program 7 (Scene 49-56)
			240-255	NO FUNCTION

LED PIXEL CONTROL- ALL PIXEL NUMBERS



LCD CONTROL DISPLAY



LCD CONTROL DISPLAY

! Pixel control depends on PAN/TILT position of head!

LED PIXEL CONTROL- PIXEL RINGS 2 & 3



LCD CONTROL DISPLAY

ERROR CODES

When power is applied, the unit will automatically enter a **“Reset/Test”** mode. This mode brings all the internal motors to a home position. If there is an internal problem with one or more of the motors an error code will flash in the display in the form of **“XXer”** where as XX will represent a function number. For example, when the display shows **“0Er”** it means there is some type of error with the Pan motor. If there are multiple errors during the start-up process they will all flash in the display. For example: if the fixtures has errors on **Channel 1, 2, and 5** all at the same time, you will see the error message **“01Er”, “02Er”, and “05Er”** flash repeated 5 times.

If an error does occur during the initial start-up procedure the fixture will self-generate a second reset signal and try to realign all the motors and correct the errors. If the error persists after a second attempt a third attempt will be made. If after a third attempt all the errors have not been corrected the fixture will make the following determinations:

- **3 or More Errors** - The fixture cannot function properly with three or more errors therefore the fixture will place itself in a stand-by mode until subsequent repairs can be made.
- **Less Than 3 Errors** - The fixture has less than 3 errors; therefore most other functions will work properly. The fixture will attempt to operate normally until the errors can be correct by a technician. The errors in question will remain flashing in the display as a reminder of internal errors.

ELATION© PLATINUM 1200 WASH™
ERROR CODES

Error Codes are subject to change without any prior written notice.

ERROR CODE	DESCRIPTION
PAN	The PAN movement is not located in the default position after the reset. This message will appear after a fixture reset if the magnetic-indexing circuit malfunctions (sensor failed or magnet is missing) or there is a motor failure (defective motor or a defective motor IC drive on the main PCB). This error may also be displayed if the head/yoke was blocked during a reset function.
TILT	The TILT movement is not located in the default position after the reset. This message will appear after a fixture reset if the magnetic-indexing circuit malfunctions (sensor failed or magnet is missing) or there is a motor failure (defective motor or defective motor IC drive on main PCB). This error may also be displayed if the head was blocked during a reset function.
ZOOM	The Zoom movement is not located in the default position after the reset. This message will appear after the reset of the fixture reset if the magnetic-indexing circuit malfunctions (sensor failed or magnet is missing) or there is a stepper motor failure (defective motor or defective motor IC drive on main PCB).

CLEANING AND MAINTENANCE



CLEANING

Frequent cleaning is recommended to insure proper function, optimized light output, and an extended life. The frequency of cleaning depends on the environment in which the fixture operates: damp, smoky or particularly dirty environments can cause greater accumulation of dirt on the fixture's optics.

- Clean the external lens surface at least every 20 days with a soft cloth to avoid dirt/debris accumulation.
- Never use alcohol, solvents, or ammonia based cleaners.

MAINTENANCE

Regular inspections are recommended to insure proper function and extended life. There are no user serviceable parts inside this fixture, please refer all other service issues to an authorized Elation service technician. Should you need any spare parts, please order genuine parts from your local Elation dealer.

Please refer to the following points during routine inspections:

- A detailed electric check by an approved electrical engineer every three months, to make sure the circuit contacts are in good condition and prevent overheating.
- Be sure all screws and fasteners are securely tightened at all times. Loose screws may fall out during normal operation resulting in damage or injury as larger parts could fall.
- Check for any deformations on the housing, color lenses, rigging hardware and rigging points (ceiling, suspension, trussing). Deformations in the housing could allow for dust to enter into the fixture. Damaged rigging points or unsecured rigging could cause the fixture to fall and seriously injure a person(s).
- Electric power supply cables must not show any damage, material fatigue or sediments. Never remove the ground prong from the power cable.

TECHNICAL SPECIFICATIONS

SOURCE

(19) 60W High Power RGBW LEDs
50,000 Hour Average LED Life*

*May vary depending on several factors including but not limited to:
Environmental Conditions, Power/Voltage, Usage Patterns (On-Off Cycling), Control, and Dimming.

EFFECTS

8° - 70° Beam Angle Zoom
Full Pixel Control
Color Preset Macros
Linear Color Temperature Presets (2,700 - 8,000K)
Electronic Strobe (1-25 fps)
Linear Dimming 0-100% + Selectable Dimming Curves

COLOR

RGBW
Even and Smooth Color Mixing

CONTROL / CONNECTIONS

(3) DMX Channel Modes (20 / 26 / 32)
Adjustable Refresh Rate (900-1500, 2500, 4000, 5000, 10000, 15000, 20000, 25000 (Hz)
Adjustable Gamma Brightness (2.0, 2.2, 2.4, 2.8)
RDM (Remote Device Management)
6 Button Touch Control Panel
Full Color 180° Reversible LCD Menu Display
8 / 16 Bit Resolution Adjustable Pan/Tilt Movement
5pin DMX In/Out
RJ45 Ethernet In/Out (Art-NET, sACN)
powerCON 32A Power In

SIZE / WEIGHT

Length: 21.0" (533mm)
Width: 16.1" (410mm)
Vertical Height: 25.9" (658mm)
Weight: 86.0 lbs. (39 kg)

ELECTRICAL / THERMAL

AC 100-240V - 50/60Hz
2000W Max Power Consumption
14°F to 113°F (-10°C to 45°C)

APPROVALS / RATINGS

CE | RoHs | IP20

Please Note: Specifications and improvements in the design of this unit and this manual are subject to change without any prior written notice.

PHOTOMETRIC DATA

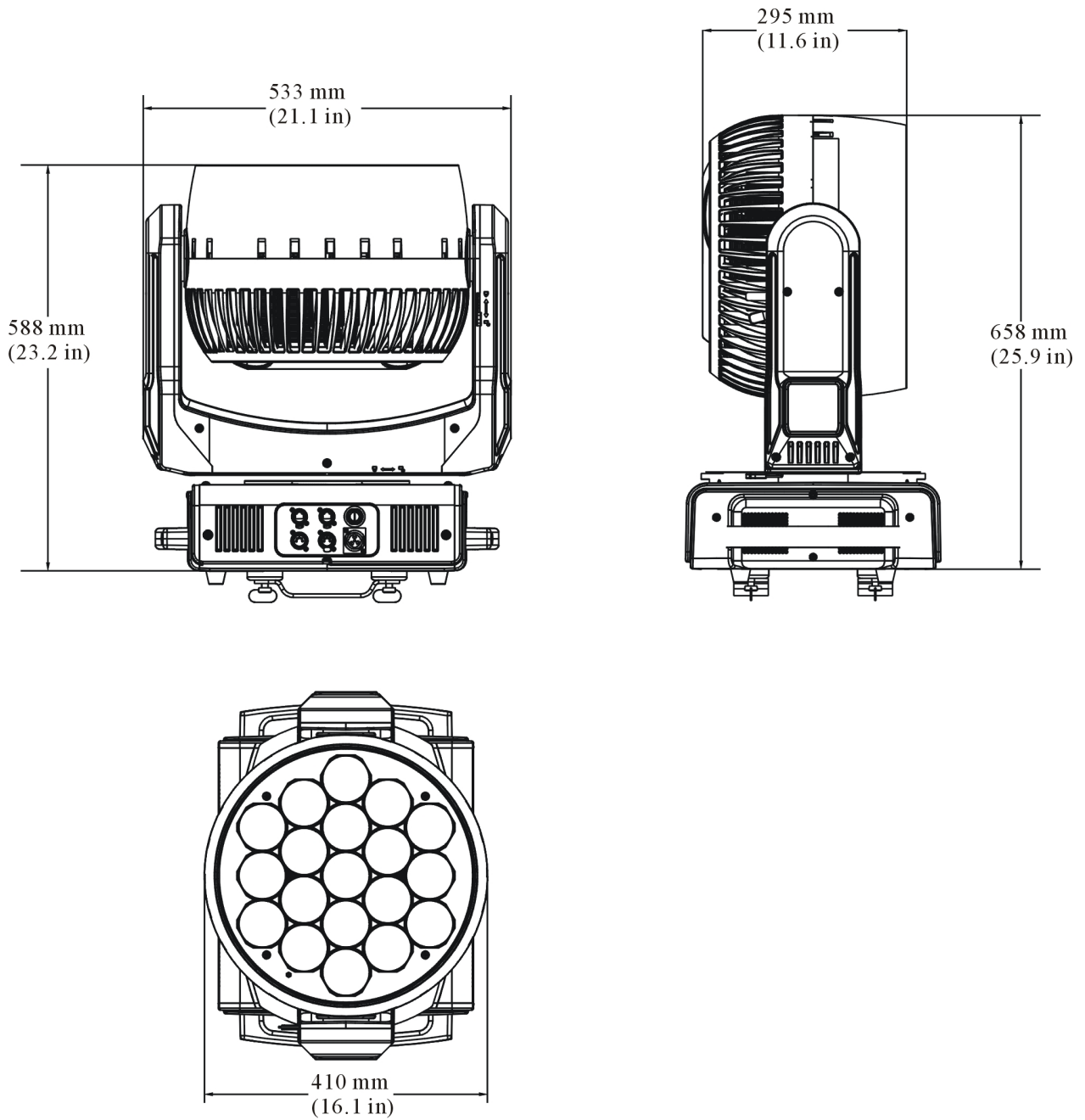
MIN ZOOM - 8° Beam Diameter

	5 m	16.4 ft	7.5 m	24.6 ft	10 m	32.8 ft	15 m	49.2 ft
	0.7	2.3	1.05	3.4	1.4	4.6	2.1	6.9
	lux	fc	lux	fc	lux	fc	lux	fc
RED	7,079	658	3,604	335	1,860	173	825	77
GREEN	16,640	1,546	7,703	716	4,252	395	1,890	176
BLUE	1,970	183	1,525	142	879	82	437	41
WHITE	23,700	2,202	10,070	936	6,126	569	2,795	260
FULL ON	41,730	3,877	20,700	1,923	11,210	1,041	5,285	491

MAX ZOOM - 77° Beam Diameter

	5 m	16.4 ft	7.5 m	24.6 ft	10 m	32.8 ft	15 m	49.2 ft
	3.5	11.5	7	23.0	14	0.0	21	68.9
	lux	fc	lux	fc	lux	fc	lux	fc
RED	535	50	173	16	54	5	26	2
GREEN	1,297	120	389	36	120	11	58	5
BLUE	158	15	82	8	28	3	11	1
WHITE	1,897	176	568	53	178	17	86	8
FULL ON	3,637	338	1,085	101	343	32	168	16

DIMENSIONAL DRAWINGS



Please Note: Specifications and improvements in the design of this unit and this manual are subject to change without any prior written notice.

OPTIONAL ACCESSORIES

ORDER CODE	ITEM
TRIGGER CLAMP	Heavy Duty Wrap Around Hook Style Clamp
*** TBA ***	Road Case For PLATINUM 1200 WASH™
AC5PDMX5PRO	5 ft. (1.5m) 5pin PRO DMX Cable
CAT6PRO5	5 ft. (1.5m) CAT6 EtherCON Cable
	Additional Cable Lengths Available

