

Model No. **SEQ-8** Low Voltage Sequencer

Compact low voltage 8-step sequencer combines with low voltage remote power controls and switches to provide time-delayed activation and deactivation of AC powered equipment on site or in a remote location. Sequence delay is screwdriver adjustable with .5-10 seconds between steps. Sequencing is initiated by an external remote switch (order separately).



Features

- Eight delayed closure circuits activate in sequential order and deactivate in reverse order.
- Slide switch allows selection of single or multiple switch modes.
- Sequencing is initiated by a single remotely located SPST maintained contact closure switch or multiple SPST normally open momentary closure switches (order separately).
- LED indicators provide visual status of each control circuit as well as power verification.
- Includes auxiliary 24VDC, 300mA (max) output for remote indicators.
- Steel chassis with black finish measures 10"L x 3.281"W x 1.687"H. Includes mounting holes and operational diagram.
- UL Listed power supply with input 100-240VAC, output 24VDC, 500mA, 6 ft. cord and four plug adapters — NEMA 1-15 for North America (factory installed) Schuko CEE 7/16 for central Europe, BS1362 for the U.K., AS3112 for Australia/New Zealand.
- Made in U.S.A. with domestic and imported components

A&E Specifications

The device for sequentially activating equipment connected to remote power controls shall be Lowell Model No. SEQ-8, which shall feature barrier strip terminals for connection to remote power control Model No. RPC-_____. Contacts shall also be available for connecting remote switches (required) for activation.

[Applications with multiple switch actuation shall use momentary wall switch Model No. _____ or momentary rack panel switch Model No. _____. Applications with single switch actuation shall use maintained wall switch Model No. ____ or maintained rack panel switch Model No. _____.]

Model Number Summary

Model	Description	Control Circuit Outputs* (barrier strip)	Delay (between steps)	Power Requirement	Actuation Switch-SPST** (order separately)	Power Controls (order separately)
SEQ-8	Sequencer, low voltage	8 circuits + (1) 24VDC out	0.5-10 sec.	117VAC, 60Hz, 12W	Single (maintained), multiple (momentary)	RPC Series

* Each circuit controls up to ten RPC Series remote power controls (order separately)

** External switches (maintained or momentary) are required (order separately)

NOTE: Model No. SEQ-8 was formerly known as no. SCS-8

Heard Everywhere Since 1947

System Accessories (order separately)

Remote Power Controls- ETL Listed

RPC-15	Power Control	15A 1 duplex	7.5 x 3.25 x 1.75	6 ft cd
RPC-20-CD	Power Control	20A 1 duplex	7.5 x 3.25 x 2.75	6 ft cd
RPC-30-SHW	Power Control	30A 1 twistlock	7.5 x 3.25 x 2.75	6 ft conduit
RPC-20-SCD	Power Control	20A 1 duplex	7.5 x 3.25 x 2.75	surge suppression 6 ft cd

Remote Switches - Maintained Closure (single switch use) - keylock also available

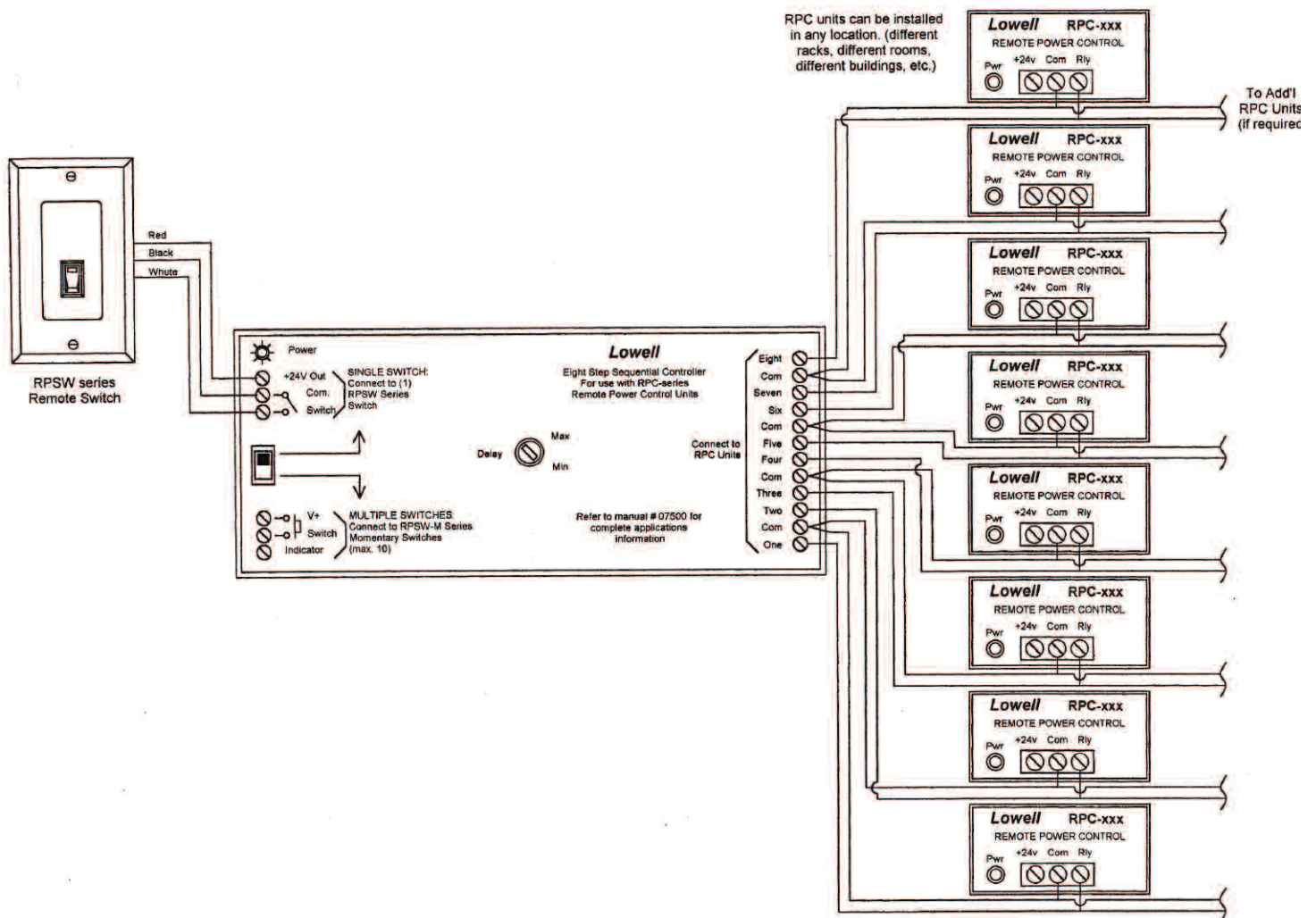
RPSW-P	Switch SPST rocker switch with 1 LED maintained	1 gang wall plate
RPSB-R	Switch SPST rocker switch with 1 LED maintained	1U rack panel

Remote Switches - Momentary Closure (multiple switch use) - keylock also available

RPSW-MP	Switch SPST rocker switch with 1 LED momentary	1 gang wall plate
RPSW2-MP	Switch SPST rocker switch with 2 LED momentary	1 ga wall plate
RPSB-MR	Switch SPST rocker switch with 1 LED momentary	1U rack panel
RPSB2-MR	Switch SPST rocker switch with 2 LED momentary	1U rack panel

Typical Wiring – Single Switch "MAINTAINED CONTACT" Connections

Maximum distance between switches, RPC units and SEQ-8: 22 ga – 6,600 ft. or 1.25 miles; 18 ga – 17,160 ft. or 3.25 miles



Heard Everywhere Since 1947

Typical Wiring – Multiple Switch "MOMENTARY Contact" Connections

Maximum distance between switches and SEQ-8: 22 ga – 6,600 ft. or 1.25 miles; 18 ga – 17,160 ft. or 3.25 miles

