



Model No.

LXR-821

- **8U x 21"D**
- **Slim 19.21"W**
- **Ships unassembled**



Construction & Features

- **Knockdown Frame:** 14-ga. steel with front and rear vents.
- **Mounting Rails:** Corner post mounting rails are 11-ga. steel tapped 10-32 with printed rack unit increments for quick set-up.
- **Cable Management:** Rear knockouts at top and bottom plus side obrounds
- **Thermal Management:** Top vents will accept optional fan kits (pg. 3), front vents at top and bottom
- **Load Capacity:** 400 lbs. [181 kg]
- **Finish:** Black powder epoxy.
- **Hardware:** Assembly and panel mounting hardware
- **Origin:** Made in the USA with 100% certified US steel

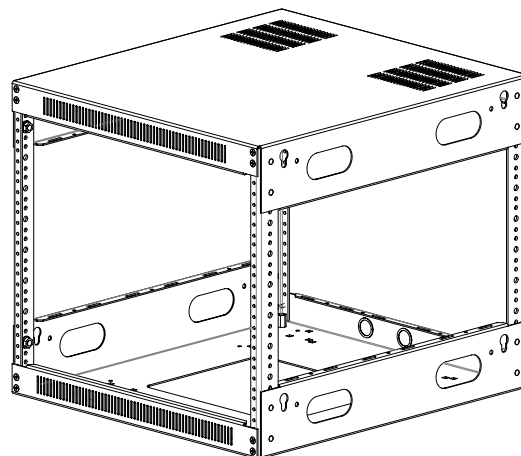
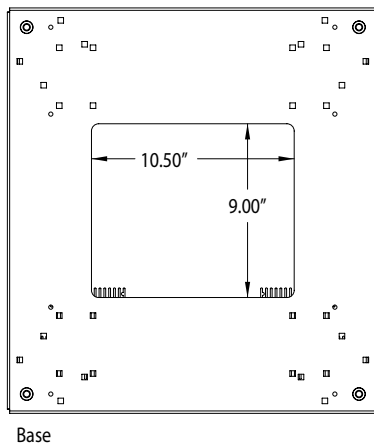
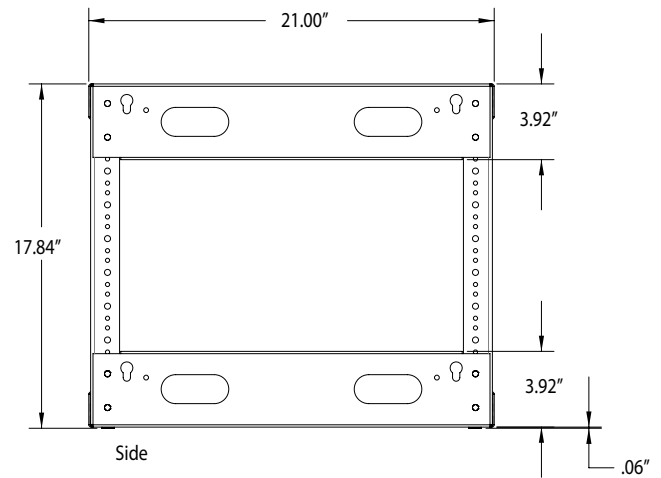
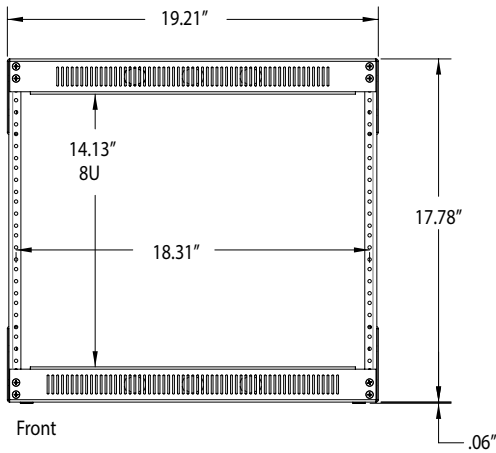
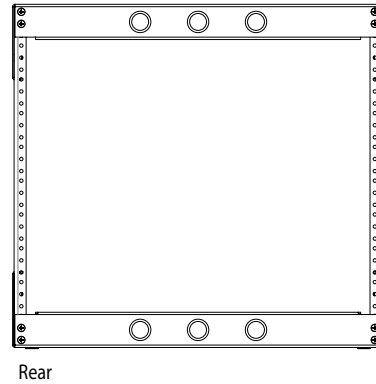
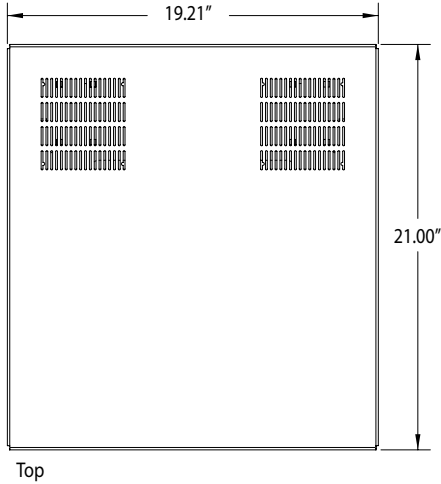
A&E Specifications

The rack shall be Lowell Model No. LXR-821 which shall ship unassembled. Overall measurements shall be 17.84"H x 21"D x 19.21"W when set up. Panel space shall be 8 rack units. The rack shall feature corner post mounting rails of 11-gauge steel and printed with rack unit increments. The rack shall include assembly and panel mounting hardware and be finished in a black powder epoxy paint.

Options

See pg. 3

Technical Drawings



Options

- **Front Door:**
Surface-mount front door with key lock mounts left or right without drilling. Sits 1.38" from frame.
 - LXR-FD8: Solid steel
 - LXR-FD8P: Smoked plexiglass
- **Rear Access Cover:**
 - LXR-RAC8: Opens from top with key lock.
- **Side Panels:**
 - SDV-821: Pair of steel side panels with top/bottom vents increases rack width 1.25" and depth 1". (Panel depth extends slightly from rack 5/8" in front, 5/8" in rear). Recessed handles for lift-off access can also be secured with screws.
- **Mobile Base:**
14-ga. steel skirted base with four (3") swivel casters increases rack height 4.25"
 - LXR-MB21: Base with 4 swivel casters
 - LXR-MB21F: Base with 4 fine-floor swivel casters that feature a special rubber tread that won't mar wood, marble, or tile flooring
- **Swivel Casters (no base):**
 - LXR-C3S: 4 swivel
 - LXR-C3SL: 2 swivel, 2 swivel/locking
 - LXR-C3SF: 4 fine-floor swivel (special rubber tread)
 - LXR-C3SFL: 2 fine-floor swivel, 2 fine floor swivel/locking
- **Protective Runner Kit:**
 - PRK: 4 plastic glides help protect wood when rack is placed in a credenza or custom millwork.
- **Zero-space Rackmount Shelf:**
 - LXR-NS21: 16-ga. steel shelf designed especially for the LXR rack is made for oversized equipment that won't fit standard 19" rack spacing. Four point mount—load capacity 250 lbs. Measures 1.5"H x 20.45"D x 18.79"W. Bottom vents.

Model No. Summary

Model No.	Description	Panel Space in / mm / RU	Inside Height in / mm	Overall Height in / mm	Overall Width in / mm	Overall Depth in / mm	Useable Depth in / mm
LXR-821	Slim rack	14 / 356 / 8	9.931 / 252	17.84 / 453	19.21 / 488	21 / 533	21 / 533
Options							
LXR-FD8	Solid steel front door						
LXR-FD8P	Smoked plexiglass front door						
LXR-RAC8	Rear access cover						
SDV-821	Side panels, 1pr						
LXR-MB21	Mobile base with swivel casters						
LXR-MB21F	Mobile base with fine-floor swivel casters						
LXR-C3S	Swivel casters (4 swivel)						
LXR-C3SL	Swivel casters (2 swivel, 2 swivel/locking)						
LXR-C3SF	Fine-floor swivel casters (4 swivel)						
LXR-C3SFL	Fine-floor swivel casters (2 swivel, 2 swivel/locking)						
PRK	Protective runner kit						
LXR-NS21	Zero-space rackmount shelf						

1 rack unit (RU or U) = 1.75 inches or 44.45 mm.