



BRK10/BRK15

OmniMount®
Adapter Plates for
EON Speakers

Application:

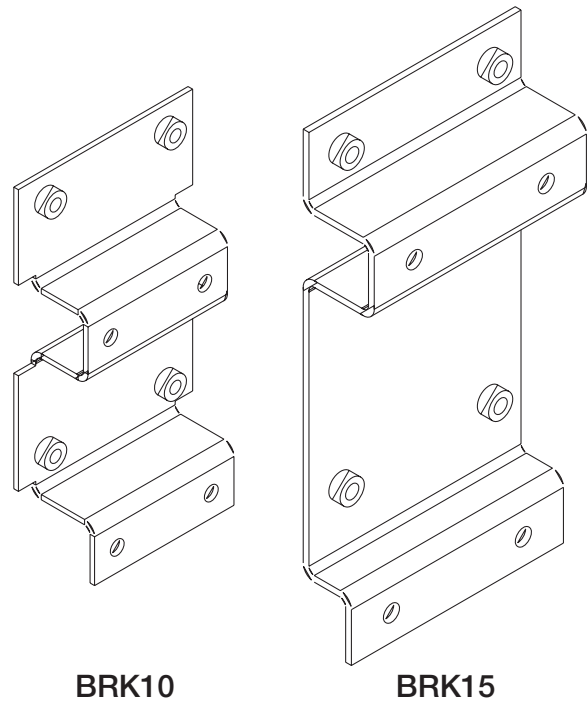
The BRK10 and BRK15 permit the use of OmniMount wall and ceiling mount accessory brackets with JBL EON loudspeakers.

Description:

The BRK10 and BRK15 are black powder-coated, steel plates that provide a mechanical transition from all JBL EON models to OmniMount brackets and other brackets with compatible hole spacing and sufficient load-bearing capacity.

Installation:

Simply remove the four screws from the rear of the EON speaker and attach the BRK10 or BRK15 using the previously removed screws. Then attach the OmniMount or other bracket to the BRK10 or BRK15 using the four supplied screws. The OmniMount or other bracket will be attached to the structure in accordance with the manufacturer's instructions.



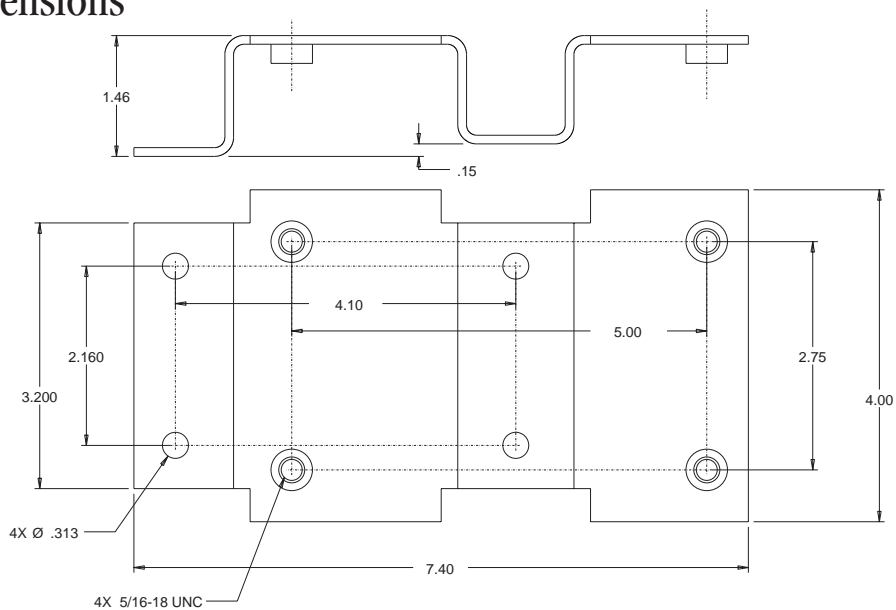
BRK10

BRK15

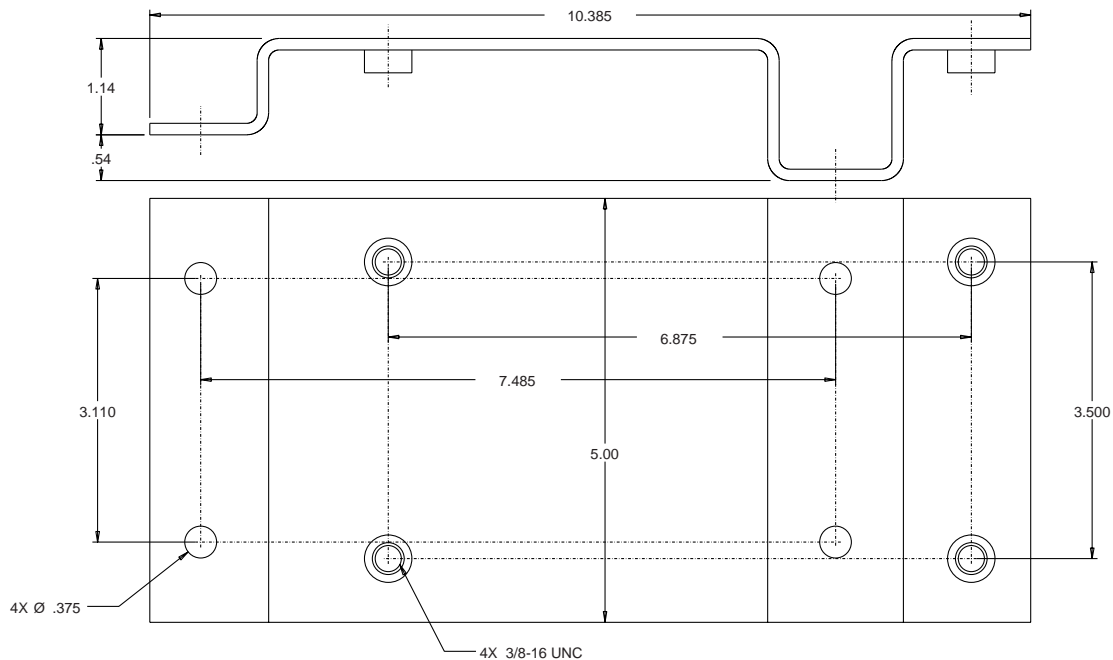
Compatibility:

BRK10	BRK15
For use with JBL EON10, EON10P, EON10 G2	For use with JBL EON15, EON15P, EON15PAK, EONPowersub, EON15 G2, EON1500, EONSUB G2
Compatible with OmniMount 60 series brackets and WQF-20, WQF-Z, WQF-20T, WQF-T, VM-1, VM-2, WTT-20, WTT-Z, WTT-Z-HD, 100 WCS.	Compatible with OmniMount 120 Series mounting hardware

BRK10 Dimensions



BRK15 Dimensions



Caution:

Unsafe mounting or overhead suspension of any heavy load can result in serious injury and equipment damage. Mounting of speakers should be done by qualified persons in accordance with all applicable local safety and construction standards. Be certain to follow the instructions provided by the manufacturer of the mounting bracket. Before selecting a mounting bracket, be certain that it is capable of supporting the weight of the speaker to be mounted.

We are constantly improving our products so these specifications are subject to change without notice.

©Copyright 2001 JBL Professional

Part Number: SS BRK10/BRK15



JBL Professional
8500 Balboa Boulevard, P.O. Box 2200
Northridge, California 91329 U.S.A.

■ A Harman International Company

CRP 15M
5/01