

VIA12 GIGABIT ETHERNET SWITCH

#6740



PRODUCT OVERVIEW

The Pathport VIA 12 is a twelve copper port (plus two mini-GBIC) Gigabit Ethernet Switch designed specifically for lighting, sound and video signal routing in all entertainment production systems, including live shows. Unlike switches designed and marketed for office and communication applications, VIA 12 is convection cooled and ships as an unmanaged switch, pre-configured and optimized for entertainment network use. Layer 2 and 3 management features are enabled and configured through the front panel interface and the free, Pathport Manager or VIA Manager software tools.

FEATURES

- Silent operation—fanless, convection cooled design
- Illuminated LCD display and rotary encoder for displaying and setting switch and port properties
- Settable properties include IP Address, Subnet Mask, Default Gateway, VLAN configuration, per-VLAN IP settings, EAPS ring protection, link speed, PoE enable/allocation/disable, IGMP enable, QoS, DHCP, Art-Net to sACN Trap-and-Convert
- Properties reported: Switch Name, Port Name, PoE usage, Serial Number, MAC address, firmware version, connected devices (LLDP compliant), link status, bandwidth usage, active multicast groups
- Supports Ethernet Automatic Protection Switching (EAPS), Link Layer Discovery Protocol (LLDP), Dynamic Hosting Configuration Protocol (DHCP), Internet Group Management Protocol (IGMP), Dante-compliant QoS
- Fully interoperable with other VIA models
- Twelve locking Ethercon RJ45 ports (ten on front panel, two on rear) support 10/100/1000Base-T speeds
- Two mini-GBIC ports on rear panel, for SFP fiber modules
- Wide range input power supply
- Hardware supports PoE (requires external power supply)
- Includes rack ears—wall and truss mounts as accessories

SPECIFICATIONS

- 85-250VAC 50/60 Hz wide-ranging power input
- Locking Powercon® power cord connector
- Operating Conditions: -10 to +50°C, 5-95% relative humidity, non-condensing
- 0.75A power consumption
- Locking Speakon® 48V connector for auxiliary PoE supply

STANDARDS COMPLIANCE

- IEEE 802.1AB Link Layer Discovery Protocol
- IEEE 802.3af—Power over Ethernet (with external supply)
- ETL
- CE
- RoHS 2002/95/EC

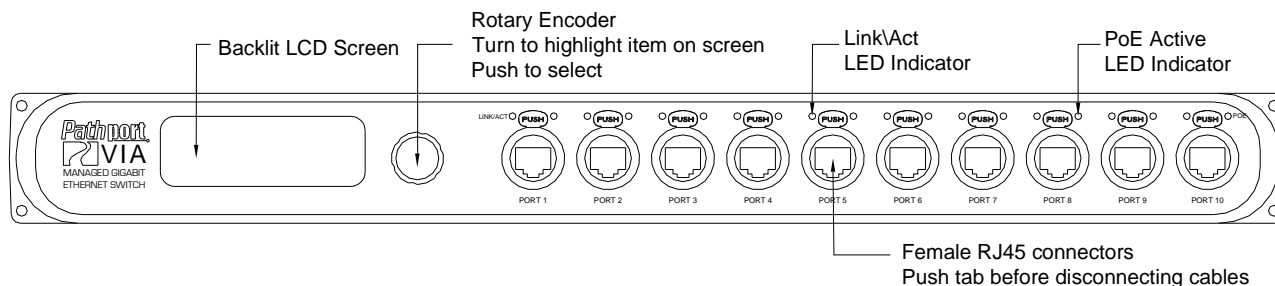
WEIGHTS AND DIMENSIONS

- 5.2 lb (2.4 kg)
- 17 x 7 x 1.7 in (432 x 180 x 40mm)

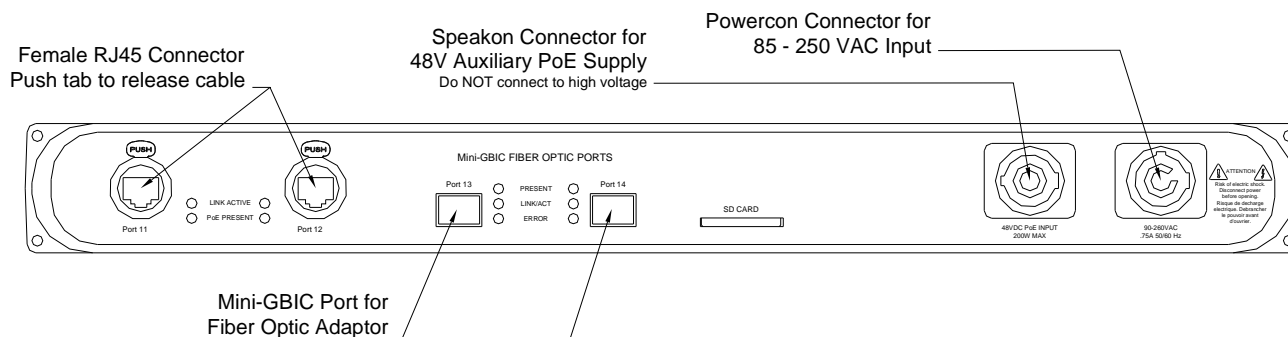
INCLUDED FURNISHINGS

- Installation/Operations manual
- Rackmount Ears

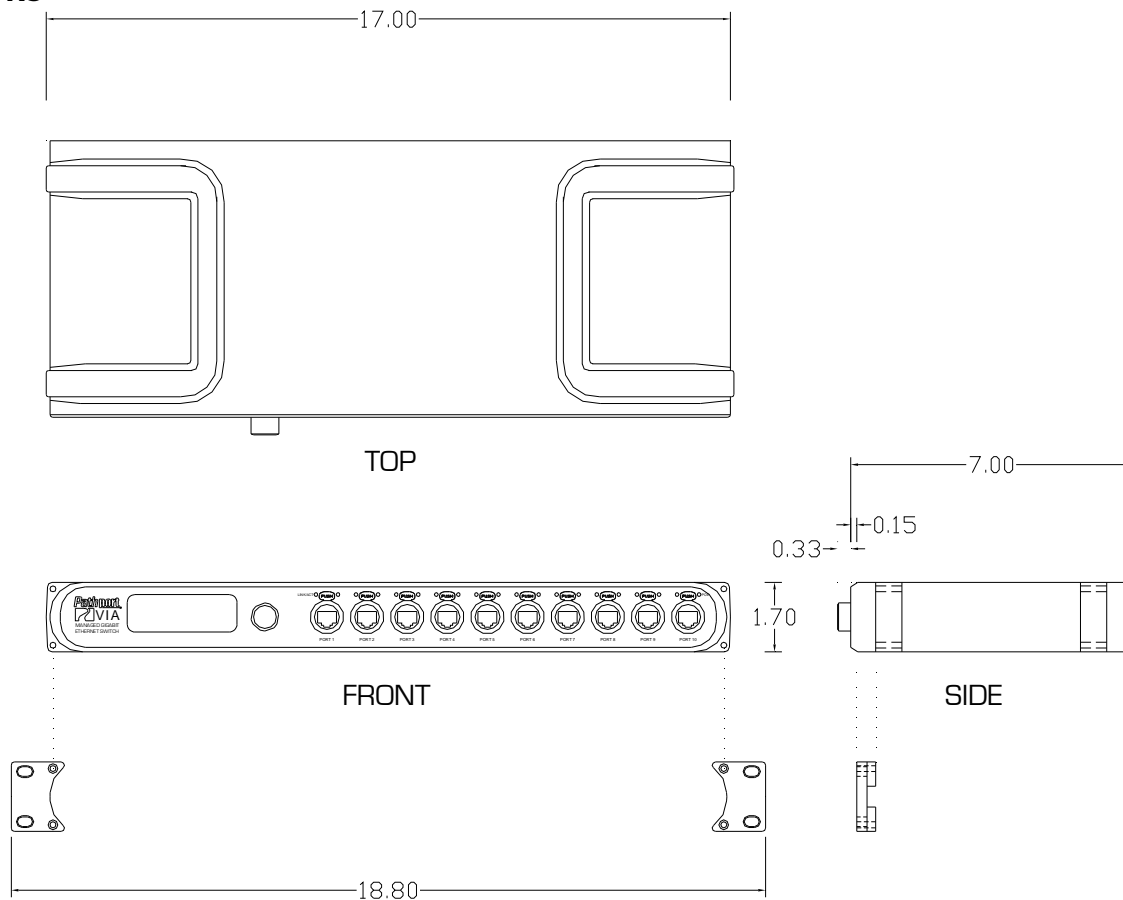
FRONT PANEL



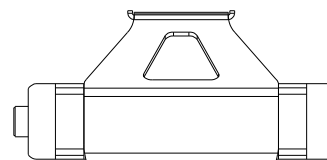
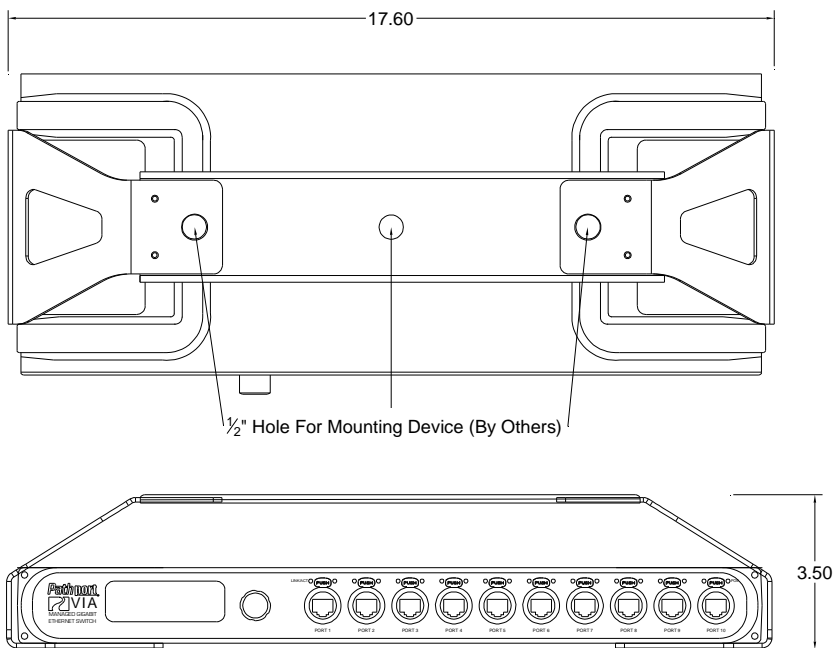
REAR PANEL



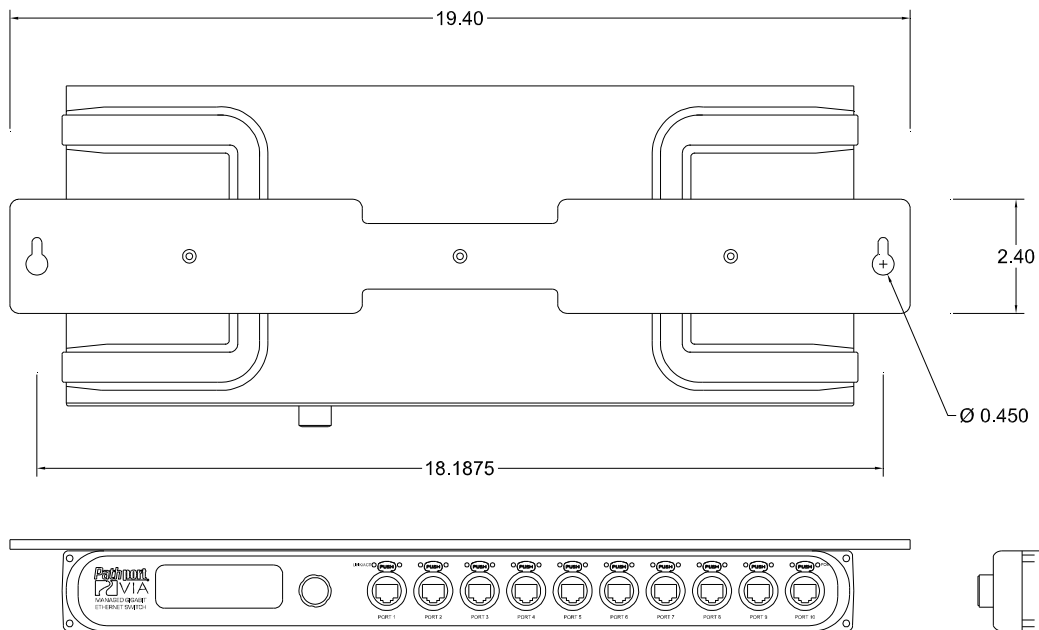
DIMENSIONS



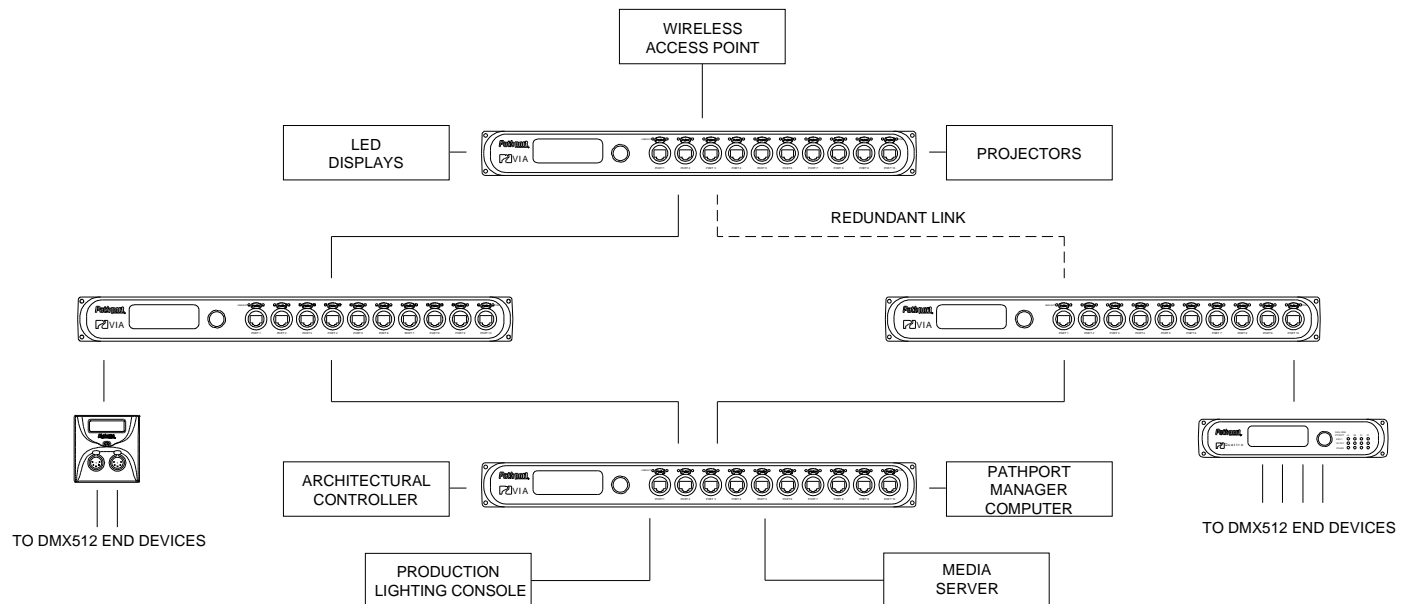
TRUSS MOUNT ACCESSORY—P/N 9003



WALL MOUNT ACCESSORY—P/N 9002



APPLICATION RISER



ORDERING INFORMATION

PART #	DESCRIPTION
6740	Pathway VIA12 Gigabit Ethernet Switch
ACCESSORIES	
9002	Wall Mount Kit
9003	Truss Mount Kit
700-7948-100	Auxiliary External Power-over-Ethernet Power Supply, 100W