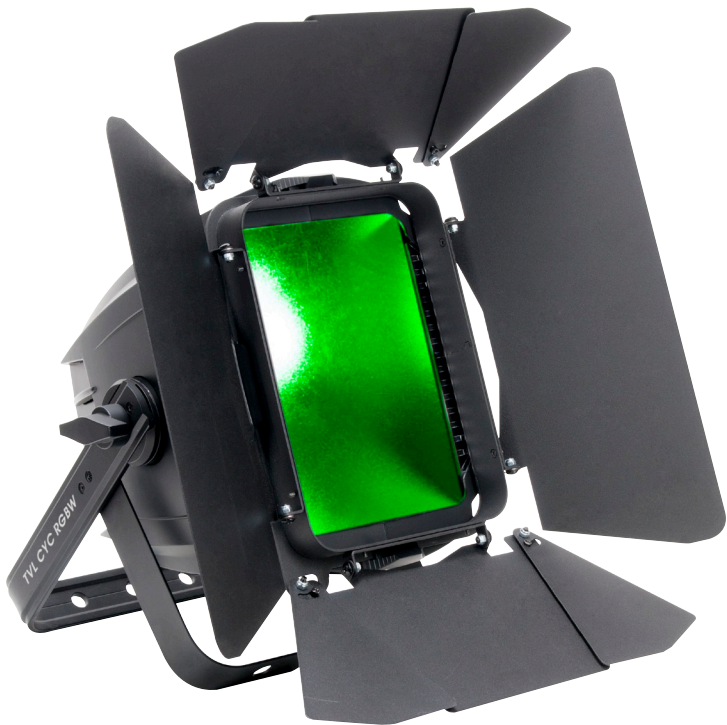




## TVL CYC RGBW™

SKU# **TVL280**

The new TVL CYC RGBW™ theatre-style cyclorama wall wash luminaire that delivers a smooth and even field of seamlessly blended colors onto cycloramas, backcloths, scenery or any surface. Features include an energy-efficient 150W RGBW COB LED engine, a 90° x 113° elliptical beam angle, 8-leaf adjustable/removable barn doors, 64 internal color macros, smooth color mixing and dimming, linear variable white color temperature presets (7200K - 3200K), variable LED refresh rate frequency and gamma brightness, selectable dimming curve and strobe effects, 5pin DMX and powerCON in/out connections, (4) button control panel, 180° reversible LCD menu display, 170W max power consumption, multiple unit power linking, and a multi-voltage universal auto switching power supply (100-240v).



### FEATURES

**150W RGBW COB LED**

**90° x 113° Elliptical Beam Angle**

**64 Internal Color Macros**

**Smooth Color Mixing and 16bit Dimming**

**Variable LED Refresh Rate Frequency**

**Variable LED Gamma Brightness**

**Flicker Free Operation for TV and FILM**

**Selectable Dimming Curve and Strobe Effects**

**Linear Variable White Color Temp Presets (7200K - 3200K)**

**8-Leaf Adjustable/Removable Barn Door Included**



**PRODUCT SPECIFICATIONS**

**SOURCE**

150W RGBW COB LED  
20,000 Hour Average LED Life\*

\*May vary depending on several factors including but not limited to: Environmental Conditions, Power/Voltage, Usage Patterns (On-Off Cycling), Control and Dimming.

**PHOTOMETRIC DATA (Full ON)**

3,536 LUX 328 FC @3.3' (1m)

**EFFECTS**

64 Internal Color Macros  
Smooth Color Mixing and 16bit Dimming  
Variable LED Refresh Rate Frequency  
Variable LED Gamma Brightness  
Selectable Dimming Curves and Electronic Strobe  
Linear Variable White Color Temp Presets (7200K - 3200K)

**COLOR**

RGBW Color Mixing

**CONTROL / CONNECTIONS**

(6) DMX Channel Modes (4 / 6 / 7 / 8 / 10 / 14)  
4 Button Control Panel  
180° Reversible LCD Menu Display  
5pin DMX In/Out  
powerCON Power In/Out

**SIZE / WEIGHT**

Length: 16.7 (425mm)  
Width: 14.3" (364mm)  
Vertical Height: 16.5" (419mm)  
Weight: 13.0 lbs. (5.9 kg)

**ELECTRICAL / THERMAL**

AC 100-240V - 50/60Hz  
170W Max Power Consumption  
Multiple Units Power Linkable  
5F to 113°F (-15°C to 45°C)

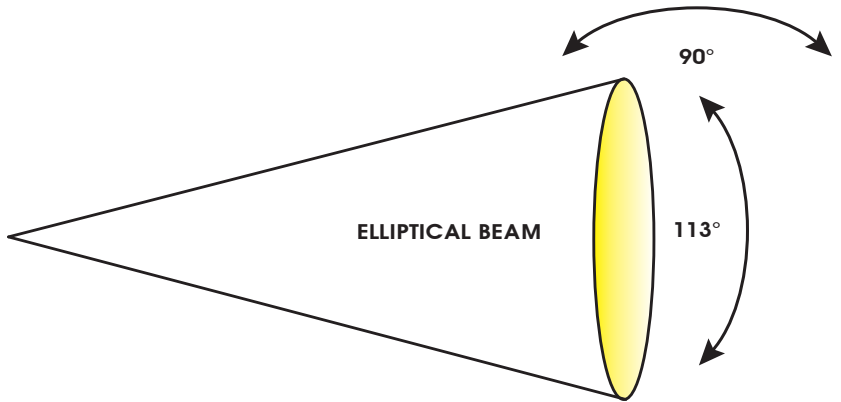
**APPROVALS / RATINGS**



IP20

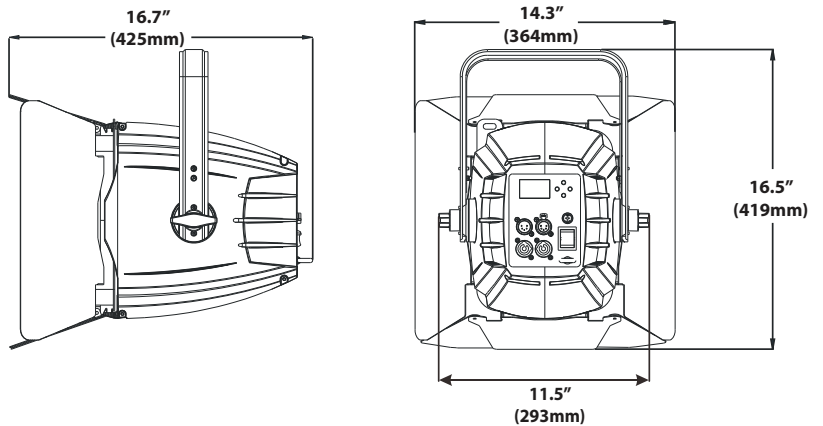


**PHOTOMETRIC DATA**



	1 m	3.3 ft	2 m	6.6 ft	3 m	9.8 ft	4 m	13.1 ft	5 m	16.4 ft
Beam Diameter	2x3	7x10	4x6	13x20	6x9	20x30	8x12	26x39	10x15	33x49
	lux	fc	lux	fc	lux	fc	lux	fc	lux	fc
FULL ON	3,536	328	970	90	400	37	221	21	145	13

**DIMENSIONAL DIAGRAMS**



**OPTIONAL ACCESSORIES**

ORDER CODE	ITEM
TRIGGER CLAMP	Heavy Duty Wrap Around Hook Style Clamp
EWDMSYSTEM	Wireless DMX System (1 Transmitter, 1 Receiver)
PLC3	3' (1m) PowerCON PRO Link Cable
AC5PDMX5PRO	5 ft. (1.5m) 5pin PRO DMX Cable
	Additional cable lengths available



Specifications are subject to change without notice ©Elation Professional 06/09/17

Elation Professional USA | 6122 S. Eastern Ave. | Los Angeles, CA. 90040  
323-582-3322 | 323-832-9142 fax | www.elationlighting.com | info@elationlighting.com

Elation Professional B.V. | Junostraat 2 | 6468 EW Kerkrade, The Netherlands  
+31 45 546 85 66 | +31 45 546 85 96 fax | www.elationlighting.eu | info@elationlighting.eu