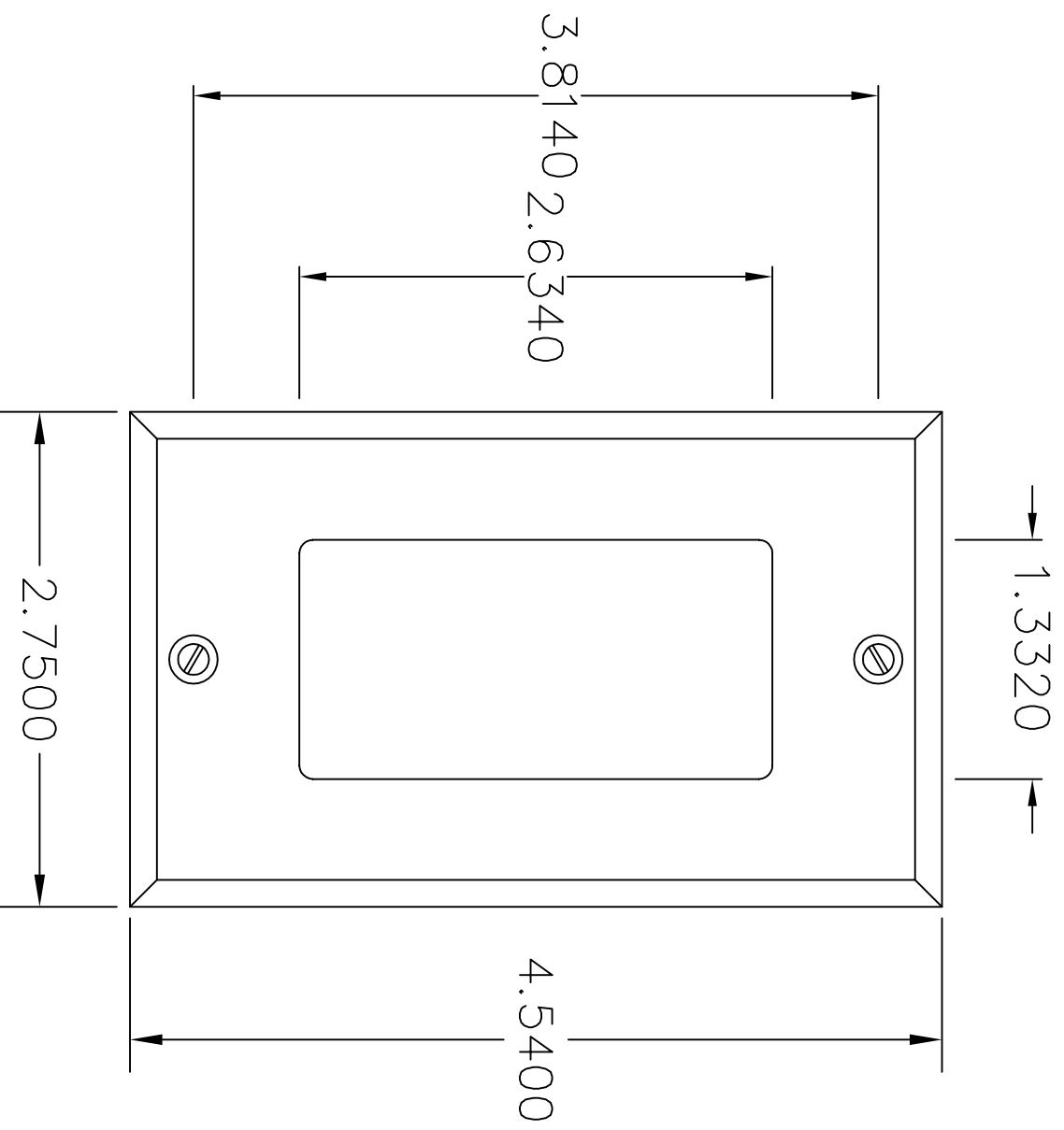


Notes:  
 Available in the following colors:  
 SS—Stainless Steel  
 BL—Black  
 WW—White



**Single Gang Faceplate**

FILENAME: 500x\_51xx (REV D).DWG

PART NUMBER: 5001



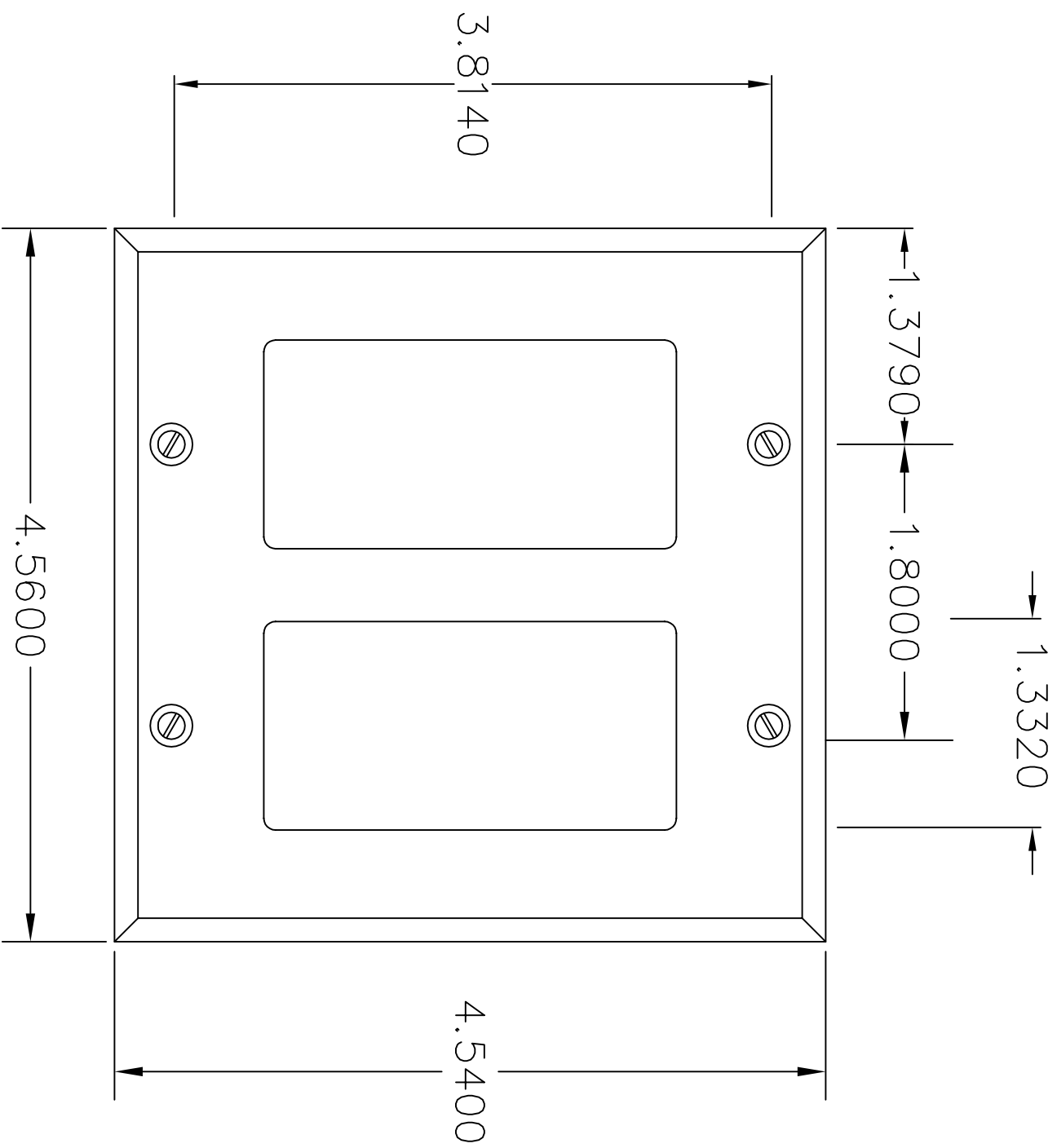
**Pathway**  
 Connectivity Solutions

**Pathway Connectivity**  
 103 Inglewood Plaza, 1439 17th Avenue SE  
 Calgary, Alberta, Canada T2G 1J9  
 Phone: +(403)243-8110 Fax: +(403)287-1281  
<http://www.pathwayconnect.com>

DRAWN BY: BRIAN F. EVANS  
 DATE: 12/7/2015  
 CHECKED: ROBERT ARMSTRONG  
 SCALE: NTS  
 UNITS: INCHES

REV

Notes:  
 Available in the following colors:  
 SS—Stainless Steel  
 BL—Black  
 WW—White



**Double Gang Faceplate**

FILENAME: 500x\_51xx (REV D).DWG

PART NUMBER: 5002

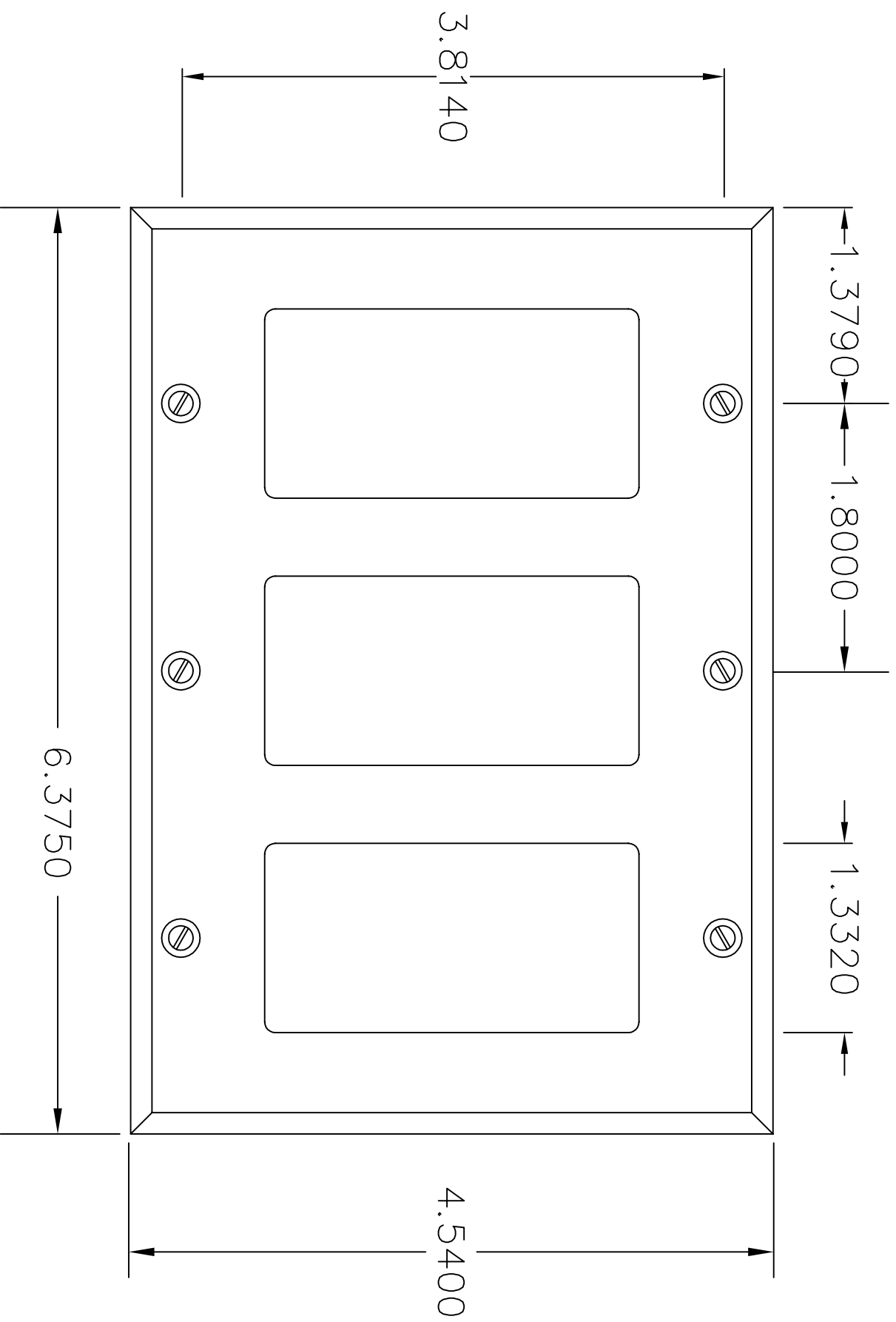


**Pathway Connectivity**  
 103 Inglewood Plaza, 1439 17th Avenue SE  
 Calgary, Alberta, Canada T2G 1J9  
 Phone: +1(403)243-8110 Fax: +1(403)287-1281  
<http://www.pathwayconnect.com>

DRAWN BY: BRIAN F. EVANS  
 DATE: 12/7/2015  
 CHECKED: ROBERT ARMSTRONG  
 SCALE: NTS  
 UNITS: INCHES



Notes:  
 Available in the following colors:  
 SS—Stainless Steel  
 BL—Black  
 WW—White



**Three Gang Faceplate**

FILENAME: 500x\_51xx (REV D).DWG

PART NUMBER: 5003

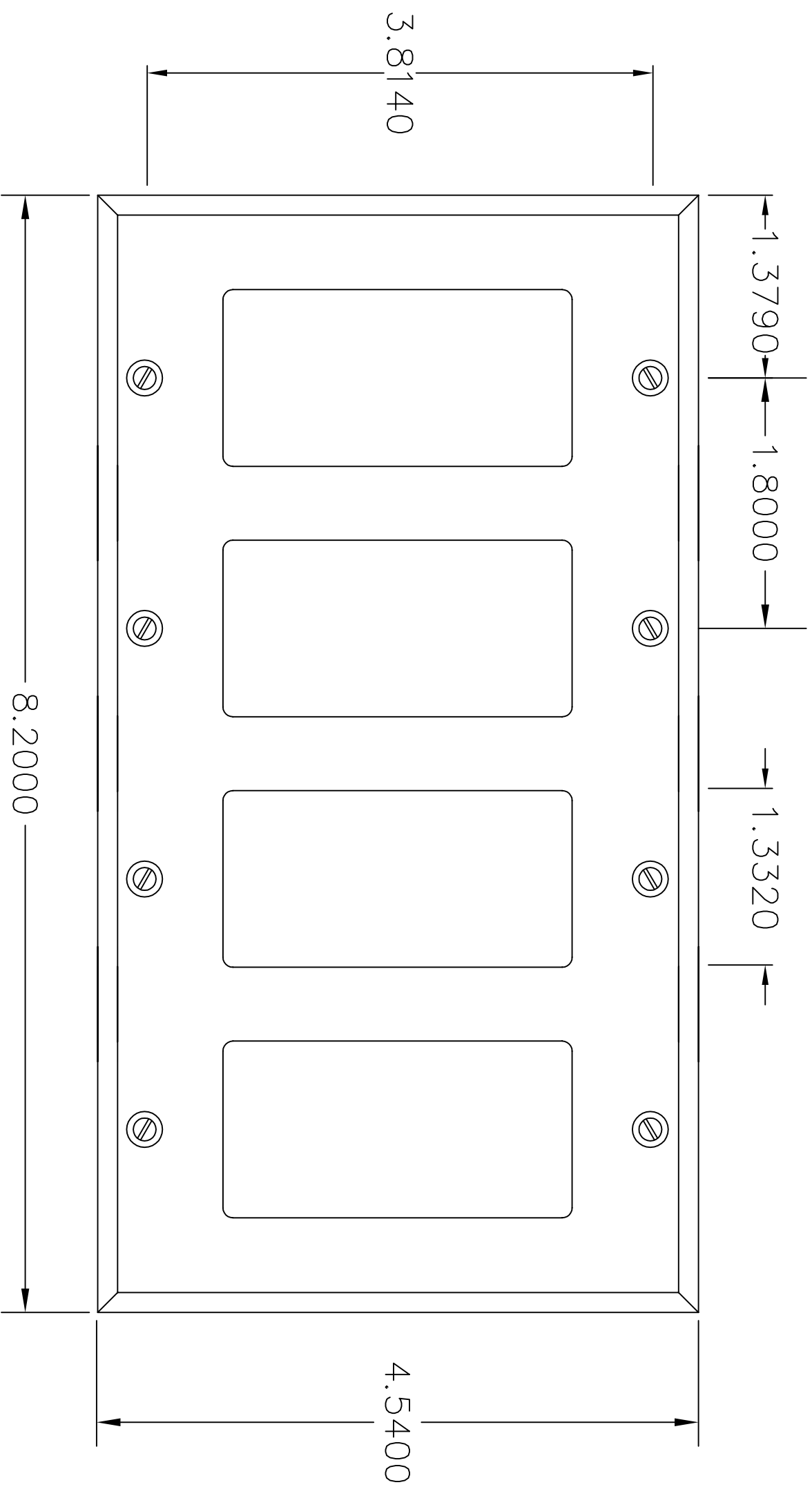


**Pathway Connectivity**  
 103 Inglewood Plaza, 1439 17th Avenue SE  
 Calgary, Alberta, Canada T2G 1J9  
 Phone: +1(403)243-8110 Fax: +1(403)287-1281  
<http://www.pathwayconnect.com>

DRAWN BY: BRIAN F. EVANS  
 DATE: 12/7/2015  
 CHECKED: ROBERT ARMSTRONG  
 SCALE: NTS  
 UNITS: INCHES



Notes:  
 Available in the following colors:  
 SS—Stainless Steel  
 BL—Black  
 WW—White



**Four Gang Faceplate**

FILENAME: 500x\_51xx (REV D).DWG

PART NUMBER: 5004

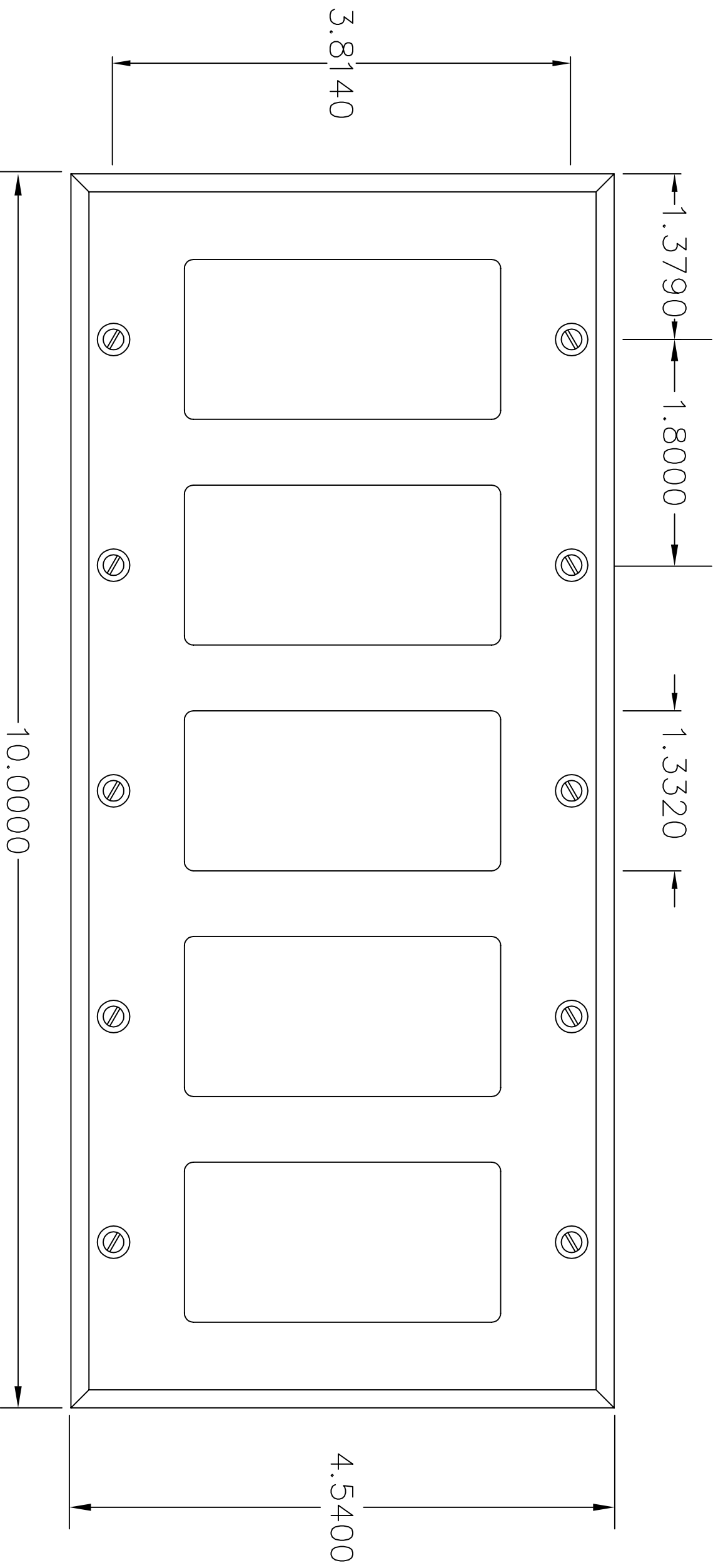


**Pathway Connectivity**  
 103 Inglewood Plaza, 1439 17th Avenue SE  
 Calgary, Alberta, Canada T2G 1J9  
 Phone: +1(403)243-8110 Fax: +1(403)287-1281  
<http://www.pathwayconnect.com>

DRAWN BY: BRIAN F. EVANS  
 DATE: 12/7/2015  
 CHECKED: ROBERT ARMSTRONG  
 SCALE: NTS  
 UNITS: INCHES



Notes:  
Available in the following colors:  
SS—Stainless Steel  
BL—Black  
WW—White



Five Gang Faceplate

FILENAME: 500x\_51xx (REV D).DWG

PART NUMBER: 5005

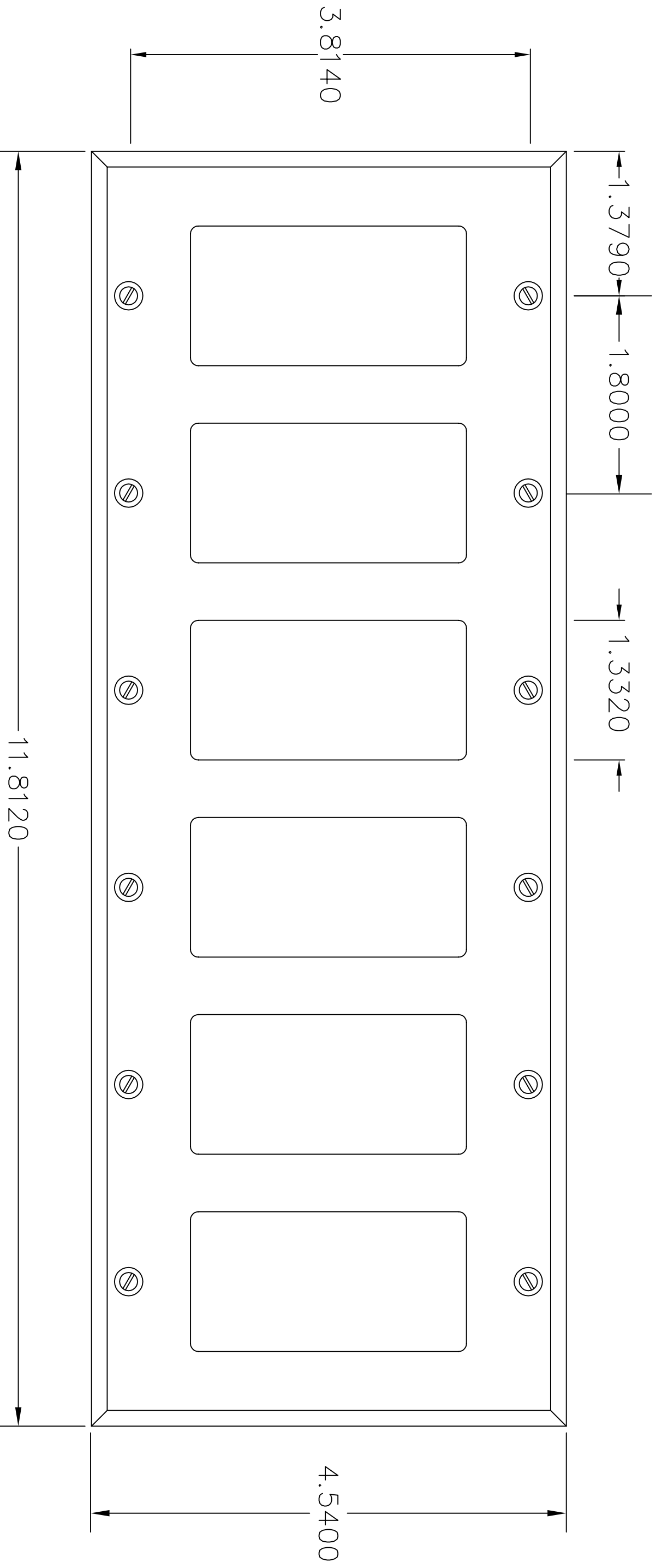


**Pathway Connectivity**  
103 Inglewood Plaza, 1439 17th Avenue SE  
Calgary, Alberta, Canada T2G 1J9  
Phone: +1(403)243-8110 Fax: +1(403)287-1281  
<http://www.pathwayconnect.com>

DRAWN BY: BRIAN F. EVANS  
DATE: 12/7/2015  
CHECKED: ROBERT ARMSTRONG  
SCALE: NTS  
UNITS: INCHES



Notes:  
Available in the following colors:  
SS—Stainless Steel  
BL—Black  
WW—White



Six Gang Faceplate

FILENAME: 500x\_51xx (REV D).DWG

PART NUMBER: 5006



**Pathway Connectivity**  
103 Inglewood Plaza, 1439 17th Avenue SE  
Calgary, Alberta, Canada T2G 1J9  
Phone: +1(403)243-8110 Fax: +1(403)287-1281  
<http://www.pathwayconnect.com>

DRAWN BY: BRIAN F. EVANS  
DATE: 12/7/2015  
CHECKED: ROBERT ARMSTRONG  
SCALE: NTS  
UNITS: INCHES

