



## TVL SOFTLIGHT DW™

SKU# **TVL551**

The TVL SOFTLIGHT DW™ is a soft light luminaire featuring 240 cool white and 240 warm white LEDs, a 115° beam angle, 8-leaf adjustable / removable barn doors, linear white color temperature range (3,200K - 5,600K), smooth 16bit dimming curve mode effects, adjustable LED refresh frequency and gamma brightness for flicker free operation for TV and FILM, 5pin DMX, RJ45 etherCON (Art-NET), and powerCON TRUE 1 connections, (4) button menu control panel, separate dimmer and color temperature rotary dials for manual control, 180° reversible LCD menu display, and a multi-voltage universal auto switching power supply (100-240v).



### FEATURES

**115° Beam Dynamic White TVL SoftLight**

**240 Cool White + 240 Warm White LEDs**

**3,200K - 5,600K Linear White Color Temp Range**

**Smooth 16bit Dimming Curve Modes**

**Dimmer and Color Temperature Rotary Control Dials**

**8-Leaf Adjustable / Removable Barn Doors Included**

**Adjustable LED Refresh Rate and Gamma Brightness**

**Flicker Free Operation for TV and FILM**



**PRODUCT SPECIFICATIONS**

**SOURCE**

240 Cool White 240 Warm White LEDs  
 20,000 Hour Average LED Life\*

\*May vary depending on several factors including but not limited to: Environmental Conditions, Power/Voltage, Usage Patterns (On-Off Cycling), Control and Dimming.

**PHOTOMETRIC DATA**

>95CRI | 6,700 Total Lumens  
 2,299 lux 214 fcd @6.6 ft (2m) Full ON 4,200K >95CRI  
 2,322 lux 216 fcd @6.6 ft (2m) CW 5,600K >96CRI  
 2,258 lux 210 fcd @6.6 ft (2m) WW 3,200K >95CRI

**COLOR**

Cool White / Warm White

**EFFECTS**

3,200K - 5,600K Linear Variable Color Temperature  
 Electronic Strobe and Variable Dimming Curve Modes

**CONTROL / CONNECTIONS**

6 DMX Channel Modes (7 total channels)  
 4 Button Control Panel  
 2 Rotary Control Dials (Dimmer and Color Temperature)  
 Adjustable Refresh Rate (900-25,000 Hz)  
 Adjustable Gamma Brightness (2.0-2.8)  
 180° Reversible LCD Menu Display  
 5pin DMX In/Out  
 RJ45 etherCON In (Art-NET)  
 powerCON TRUE1 Power In

**SIZE / WEIGHT**

Length: 26.5" (673mm)  
 Width: 12.4" (315mm)  
 Vertical Height: 16.7" (425mm)  
 Weight: 18 lbs. (8.2 lg) (w/barndoors attached)

**ELECTRICAL / THERMAL**

AC 100-240V - 50/60Hz  
 99W Max Power Consumption  
 5F to 113°F (-15°C to 45°C)

**APPROVALS / RATINGS**

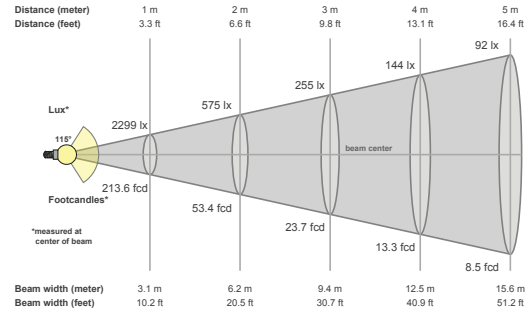


**OPTIONAL ACCESSORIES**

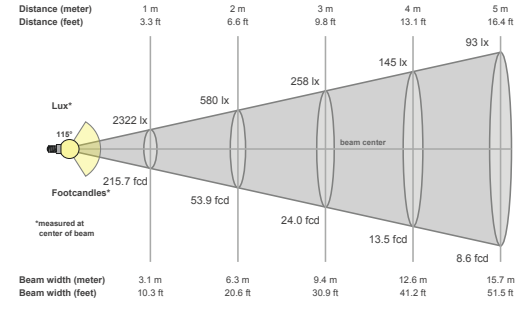
ORDER CODE	ITEM
NARROW CLAMP	PRO 2" Wrap Around Clamp
AC5PDMX5PRO	5 ft. (1.5m) 5pin PRO DMX Cable
CAT6PRO5	5' (1.5m) CAT6 EtherCON Cable
	Additional cable lengths available

**PHOTOMETRIC DATA**

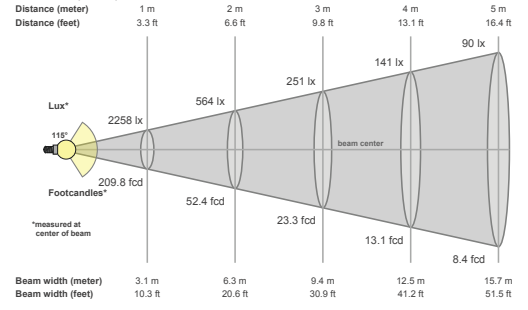
**FULL ON (CW/WW) 4,200K >95CRI**



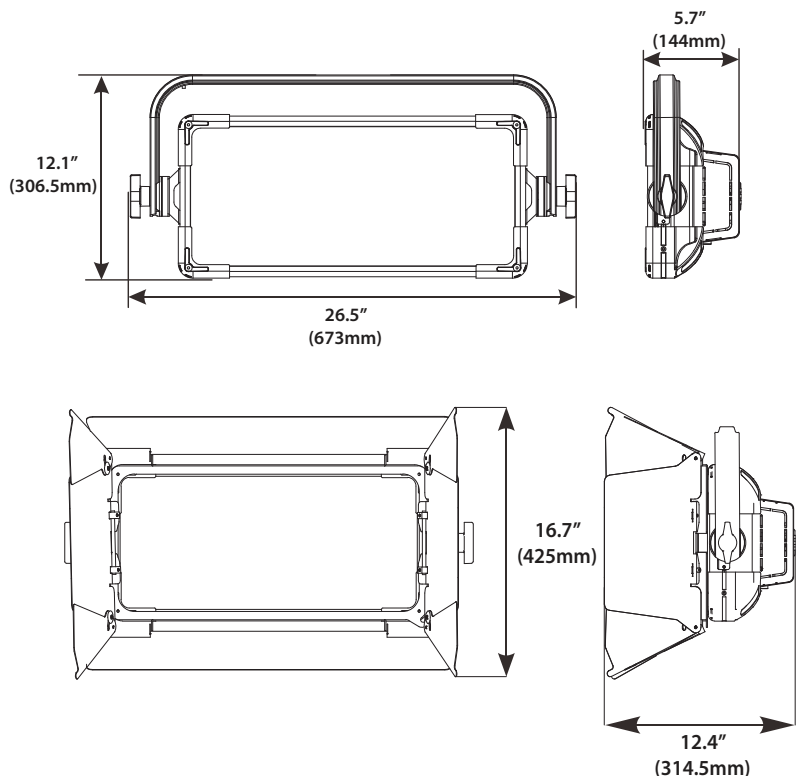
**FULL ON (CW) 5,600K >96CRI**



**FULL ON (WW) 3,200K >95CRI**



**DIMENSIONAL DIAGRAMS**



Specifications are subject to change without notice ©Elation Professional 04/21/17

Elation Professional USA | 6122 S. Eastern Ave. | Los Angeles, CA 90040  
 323-582-3322 | 323-832-9142 fax | www.elationlighting.com | info@elationlighting.com

Elation Professional B.V. | Junostraat 2 | 6468 EW Kerkrade, The Netherlands  
 +31 45 546 85 66 | +31 45 546 85 96 fax | www.elationlighting.eu | info@elationlighting.eu