

PATHPORT 2-PORT DMX/RDM GATEWAY

#1012



PRODUCT OVERVIEW

Pathport 2-Port DMX/RDM gateway is a compact node for encoding, routing and decoding DMX512 data over a standard Ethernet network. In addition to DMX, the Pathport 2-Port supports RDM discovery and configuration data transport. DIN-rail mountable for fast installation in existing cabinets, or also available as part of a complete ETL-listed assembly.

FEATURES

- Two DMX512 ports- user configurable as input or output
- E1.11 DMX512A and E1.20 Remote Device Management (RDM) compliant
- LED indicators for port direction, power, Ethernet link activity and identify
- Operates on 802.3af Power-over-Ethernet or on an 18-48V wide-range DC input
- Pluggable screw terminal connector block for power IN and OUT
- Two sets of pluggable terminal blocks for all DMX512 connections to support both shielded twisted pair and CAT5/6
- Supports the following DMX/Ethernet protocols:
 - Art-Net
 - E1.31 streaming ACN (sACN)
 - Pathport Protocol
 - Strand Shownet
- Fully compatible with all Pathport nodes and eDIN interfaces
- Configuration is set using Pathport Manager, a free download @ www.pathwayconnect.com
- Soft patch allows mix-and-match of different protocols
- Route DMX according to universe or channel-by-channel
- Multiple sources may be merged and/or prioritized
- Fully customize DMX output universes

SPECIFICATIONS

- PoE-powered Class 1 device, 4W max
- Auxiliary input voltage 18-48VDC
- 4W power consumption
- 60V protection on each port
- 10Mb TCP/IP connection
- Operating conditions: -10° to 50°C (14° to 122°F); 5%-95% relative humidity, non-condensing

STANDARDS COMPLIANCE

- ANSI E1.11 DMX512-A(2008)/USITT DMX512(1990)
- ANSI E1.20 RDM(2010)- Remote Device Management
- CE/FCC
- RoHS 2002/95/EC
- Class 2 Low Voltage

WEIGHTS AND DIMENSIONS

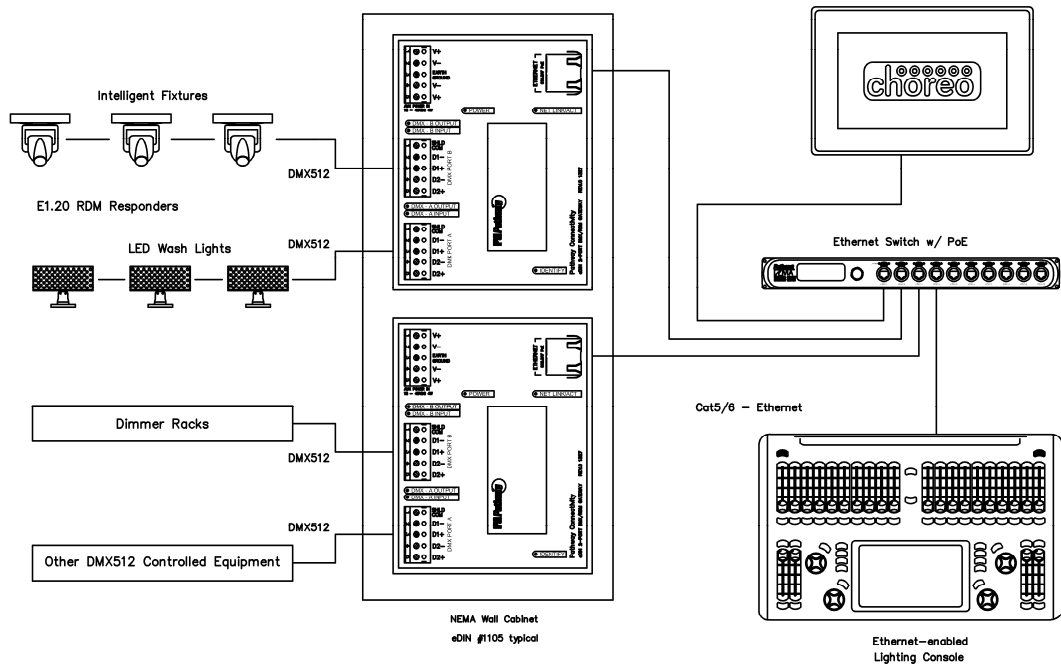
- 0.40 lbs (0.180 kg)
- 3.6"W x 4.5"L x 1.5"H (91mm x 115mm x 38mm)

INCLUDED FURNISHINGS

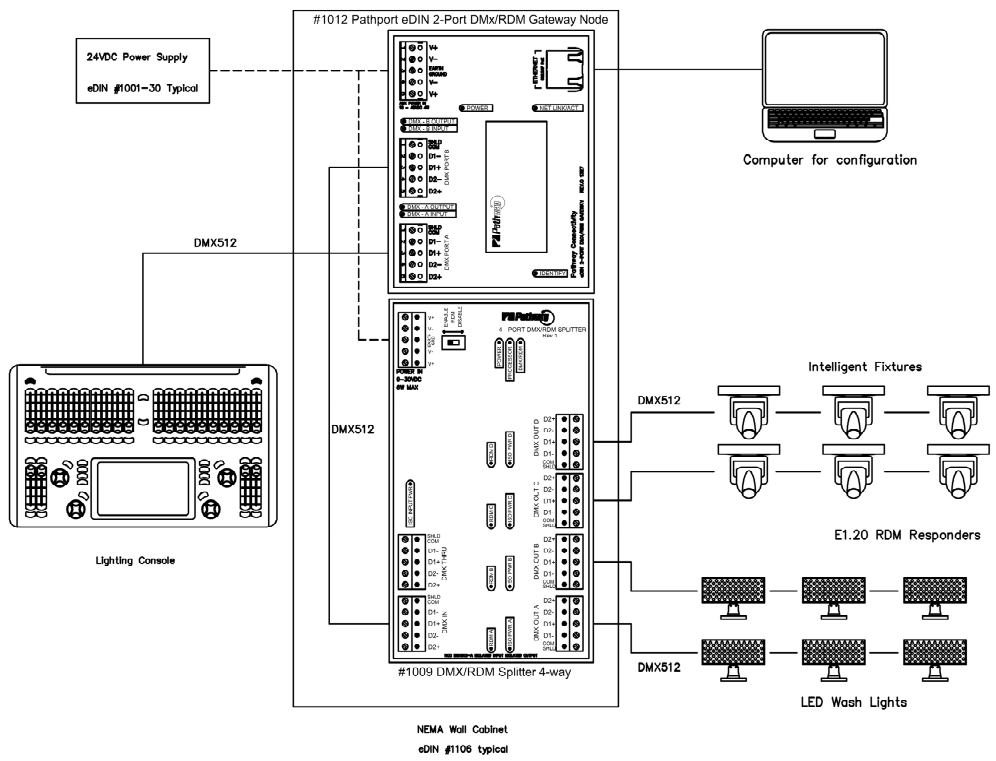
- DIN tray (housing) with end caps
- 12" (300mm) x 35mm DIN rail
- Installation/Operations manual

APPLICATION RISER

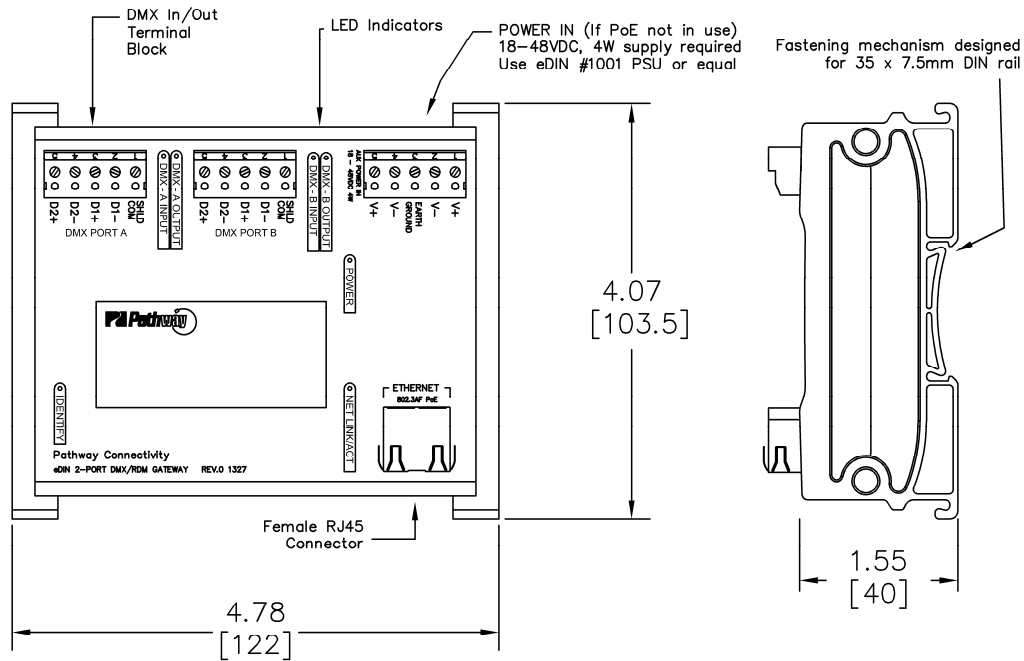
Standard Ethernet Layout



RDM Configuration Access Point



DIMENSIONS



**DMX512/RDM
PINOUT :
FOR SHIELDED
TWISTED PAIR**

XLR PIN #	PURPOSE
1	Shield
2	Data - (complement)
3	Data + (true)
4	Data - (pair 2 complement)
5	Data + (pair 2 true)

**DMX512/RDM
PINOUT :
FOR CAT 5/6**

XLR PIN #	Cat5/6 Color and Pin #	PURPOSE
3	1 - White/Orange	Data 1 + (true)
2	2 - Orange	Data 1 - (complement)
5	3 - White Green	Data 2 + (true)
4	6 - Green	Data 2 - (complement)
-	4 - Blue	Not used - do not connect
-	5 - White Blue	Not used - do not connect
1	7 - White/Brown	Shield/COM
1	8 - Brown	Shield/Com

ORDERING INFORMATION

PART #	DESCRIPTION
1012	Pathport 2-Port DMX/RDM Gateway Node with terminal block connectors for DMX ports, DIN-mountable
ACCESSORIES	
1001-30	24VDC - 30W DIN-mountable power supply
1103	Rack-mount panel Kit (2RU) with two 16.5" (420mm) sections of DIN rail
1105	Small eDIN System Enclosure (NEMA1) with 9.5" (240mm) of vertical DIN rail
1106	Large eDIN System Enclosure (NEMA1) with 19.5" (495mm) of vertical DIN rail
1107	Large eDIN System Enclosure (NEMA1) with three horizontal 9.5" (240mm) horizontal DIN rail
1108	Small eDIN System Enclosure (NEMA1) with two horizontal 9.5" (240mm) DIN rail
1109	Expanded eDIN System Enclosure (NEMA1) with three vertical 24" (610mm) DIN rail