



## DMX Snapshot and Playback



## PRODUCT OVERVIEW

Vignette™ is a system of modular button and slider wall station inserts that allow you to snapshot four universes of E1.31 sACN or one universe of DMX512. Design wall stations, from single-gang up to six-gang. With both Ethernet or RS485 architectures available, buttons can be Press-and-Hold-To-Record and Press to Play back; sliders can act as a grand master for the Vignette's output or proportionately control user-defined zones with minimum and maximum values for individual channels.

## FEATURES

- Attractive decorator-style design in white or black, compatible with Pathway Connectivity or third-party faceplates
- Master/slave inserts available as single or double sliders, or as two or four buttons
- PoE variant works with the Via PoE switches and Pathport Gateways
- RS485 variant requires din-rail mounted Vignette Architectural Gateway that includes an Ethernet port for configuration and sACN send/receive as well as DMX In and DMX Out. Each Gateway can support up to 64 modules divided among four separate daisy-chain buses
- Group stations to mirror each other or work independently
- Works as snapshot record and playback out of the box. Advanced configuration using Pathscape™ on Mac OS or Windows PC
- Buttons have multiple functions including Snapshot replay Non-Dim zones, Record Enable and Take Control
- Sliders can act as Zone control or Grand Master

## SPECIFICATIONS

- PoE: Class 2 (PoE or 24V DC RS485 over Cat5 or 3 Pair cable)
- 7.5 watts maximum power consumption per station
- Operating Conditions: 32°F-105°F (0°C to 40°C); 10-90% relative humidity, non-condensing

### Cabling:

POE: Standard Cat5/5e/6 Ethernet, 100m max.  
 RS485: Cat5/5e/6 Cable, 150m max. or retrofit onto existing 3 Pair Belden 9773 or equivalent, 300m max.

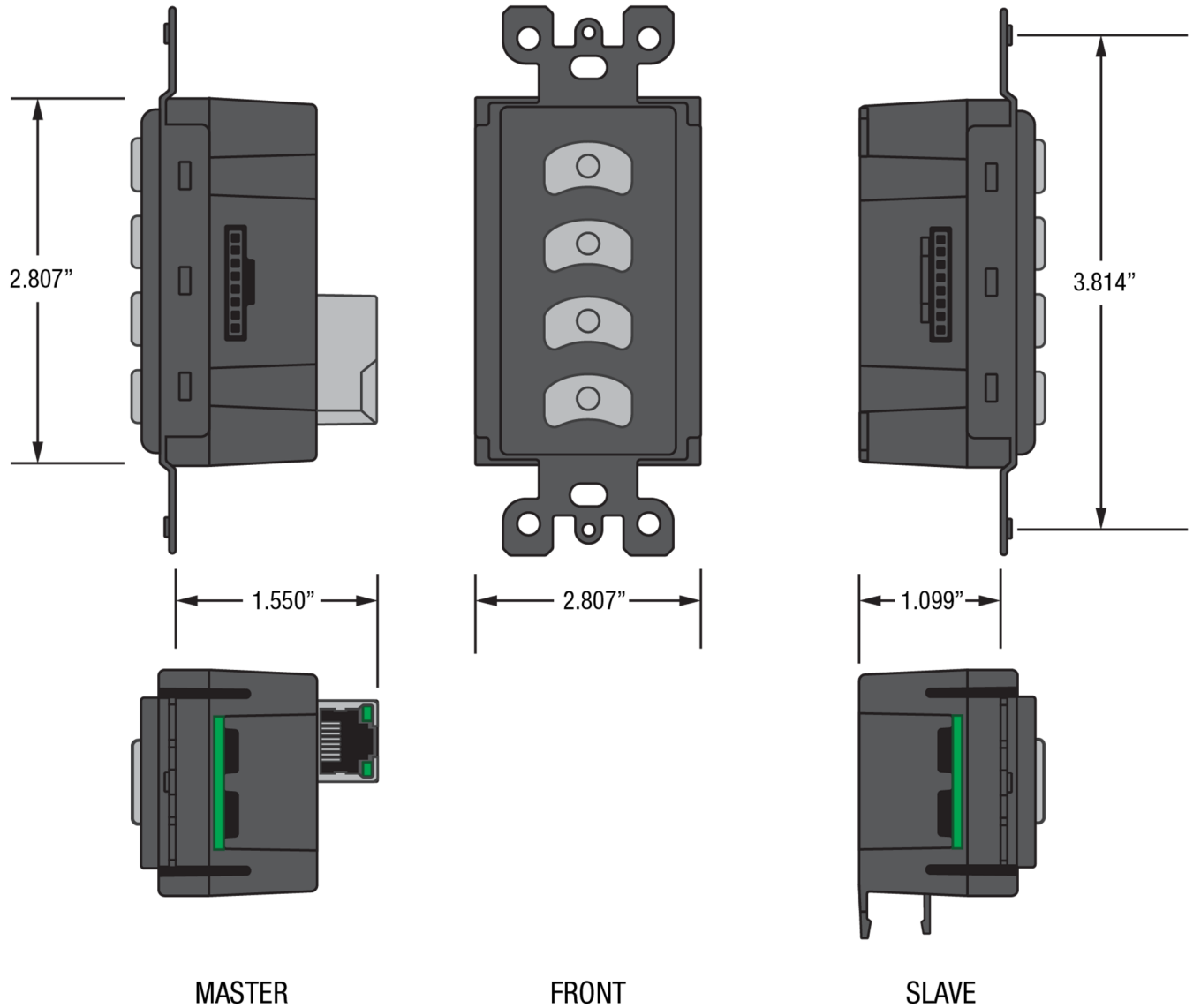
## STANDARDS COMPLIANCE

- ANSI E1.11 DMX512-A
- ANSI E1.31 streaming ACN
- IEEE 802.3af Power-over-Ethernet
- RoHS 2002/95/EC

## WEIGHTS AND DIMENSIONS

- 0.5 lbs (0.225 kg) [per insert]
- 1.75"W x 1.6"D x 4"H (45mm x 40mm x 102mm) [Master]

**DIMENSIONS**



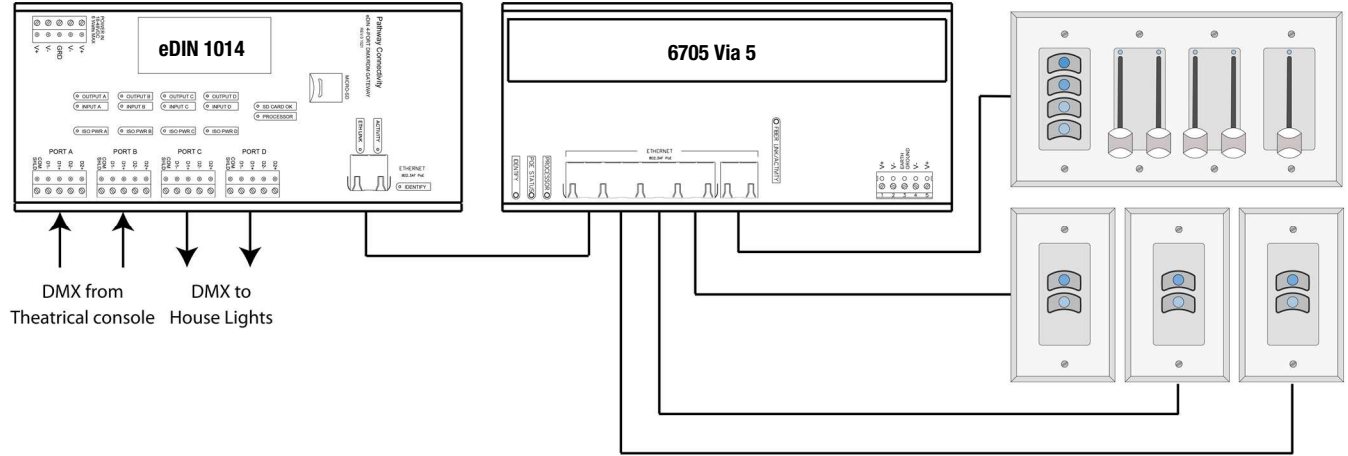
**REAR VIEW OF ASSEMBLY**

**PoE variant shown.** Each station must have Cat5 homerun to Ethernet PoE switch.

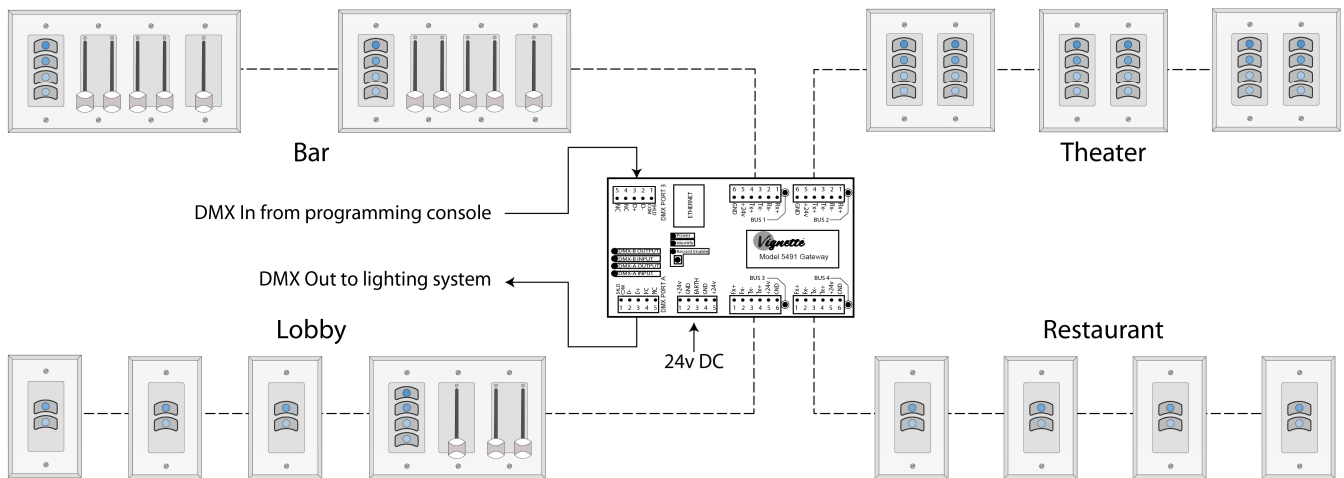


RS485 variant uses two six-pin headers (compression fit and IDC connectors) to allow multi-drop data buses. RS485 stations must be connected to a 549x Vignette Architectural Gateway

## PoE APPLICATION RISER



## Rs485 APPLICATION RISER



**ORDERING INFORMATION**

Vignette can be ordered à la carte or as pre-assembled stations.  
Refer to Vignette Ordering Information Sheet for details



PART #	DESCRIPTION
<b>PoE Master Inserts</b>	<i>All Inserts Available in Black (BL) or White (WH)</i>
700-5411 BL/WH	Vignette PoE - Two Button Master Insert
700-5412 BL/WH	Vignette PoE - Four Button Master Insert
700-5413 BL/WH	Vignette PoE - One Slider Master Insert
700-5414 BL/WH	Vignette PoE - Two Slider Master Insert
<b>RS485 Master Inserts</b>	
700-5431 BL/WH	Vignette 485 - Two Button Master Insert
700-5432 BL/WH	Vignette 485 - Four Button Master Insert
700-5433 BL/WH	Vignette 485 - One Slider Master Insert
700-5434 BL/WH	Vignette 485 - Two Slider Master Insert
<b>Slave Inserts</b>	
700-5901 BL/WH	Two Button Slave Insert
700-5902 BL/WH	Four Button Slave Insert
700-5903 BL/WH	One Slider Slave Insert
700-5904 BL/WH	Two Slider Slave Insert
<b>Choreo Vignette Gateway</b>	<b>- Required on networks using RS485 Master Inserts</b>
700-5490	Vignette 485 Architectural Gateway
700-5491	Vignette 485 Architectural Gateway with 2 DMX
700-5492	Vignette 485 Architectural Gateway with 2 DMX and 8 Contact Closures
700-5493	Vignette 485 Architectural Gateway with 16 Contact Closures
700-5494	Vignette 485 Architectural Gateway with second Ethernet

**Accessories:**

1001-30	eDIN Power Supply 30 Watt, 24VDC
<b>Faceplates</b>	
5001 BL/WH	Faceplate, One Gang
5002 BL/WH	Faceplate, Two Gang
5003 BL/WH	Faceplate, Three Gang
5004 BL/WH	Faceplate, Four Gang
5005 BL/WH	Faceplate, Five Gang
5006 BL/WH	Faceplate, Six Gang
<b>Consolette</b>	
700-7905	3-Gang Button Slider Station table-top Consolette with rear Ethercon - Black