

Job Name:	Catalog #:
Date:	Notes:



PRODUCT OVERVIEW

NSB™ is a system of modular button and slider wall station inserts that are fully compatible with Cognito² and Choreo lighting control platforms. Design the wall station needed, from single-gang up to six-gang. Any button or slider may be associated with Memories recorded on a Cognito² or Choreo.

FEATURES

- Attractive decorator-style design in white or black, compatible with Pathway Connectivity or third-party faceplates
- Master/slave inserts available as single or double sliders, or as two or four buttons
- PoE variant works with the Via PoE switches and Pathport Gateways
- RS485 variant requires eDIN NSB Architectural Gateway that includes an Ethernet port for configuration and communication with the controller. Each Gateway can support up to 64 modules divided among four separate multi-drop buses
- Associate buttons and sliders with Memories recorded on a Cognito² or Choreo controller on the same network
- Button behavior mimics Memory's recorded button actions
- Discovery and configuration from within Cognito² or Choreo
- Works well with Room Combine to control lights in its own space

SPECIFICATIONS

- PoE: Class 2 (PoE or 24V DC RS485 over Cat5 or 3 Pair cable)
- 7.5 watts maximum power consumption per station
- Operating Conditions: 32°F-105°F (0°C to 40°C); 10-90% relative humidity, non-condensing

Cabling:

PoE: Standard Cat5/5e/6 Ethernet, 100m max.
RS485: Cat5/5e/6 Cable, 150m max. or retrofit onto existing 3 Pair Belden 9773 or equivalent, 300m max.

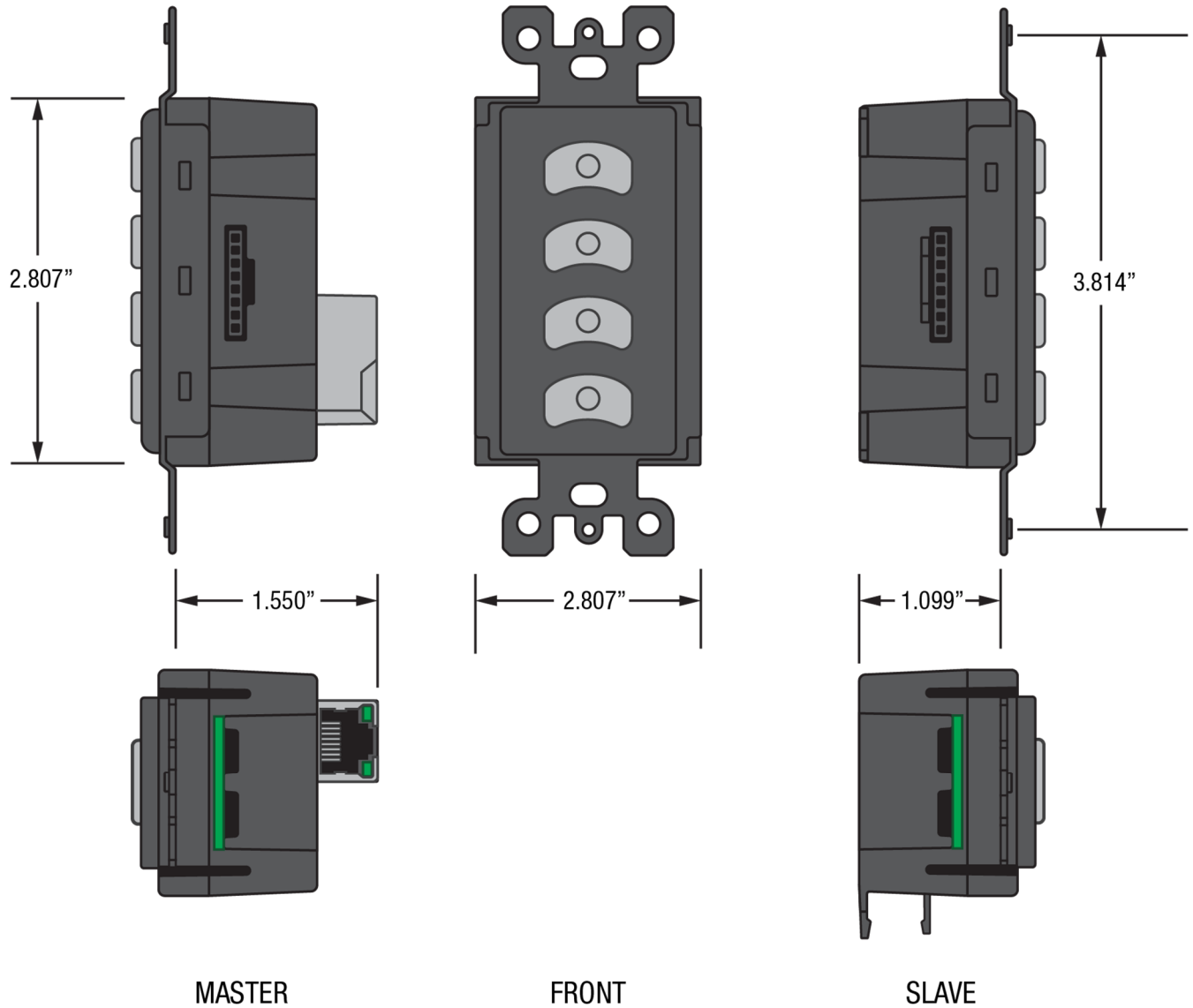
STANDARDS COMPLIANCE

- ANSI E1.11 DMX512-A
- IEEE 802.3af Power-over-Ethernet
- RoHS 2002/95/EC

WEIGHTS AND DIMENSIONS

- 0.5 lbs (0.225 kg) [per insert]
- 1.75"W x 1.6"D x 4"H (45mm x 40mm x 102mm) [Master]

DIMENSIONS



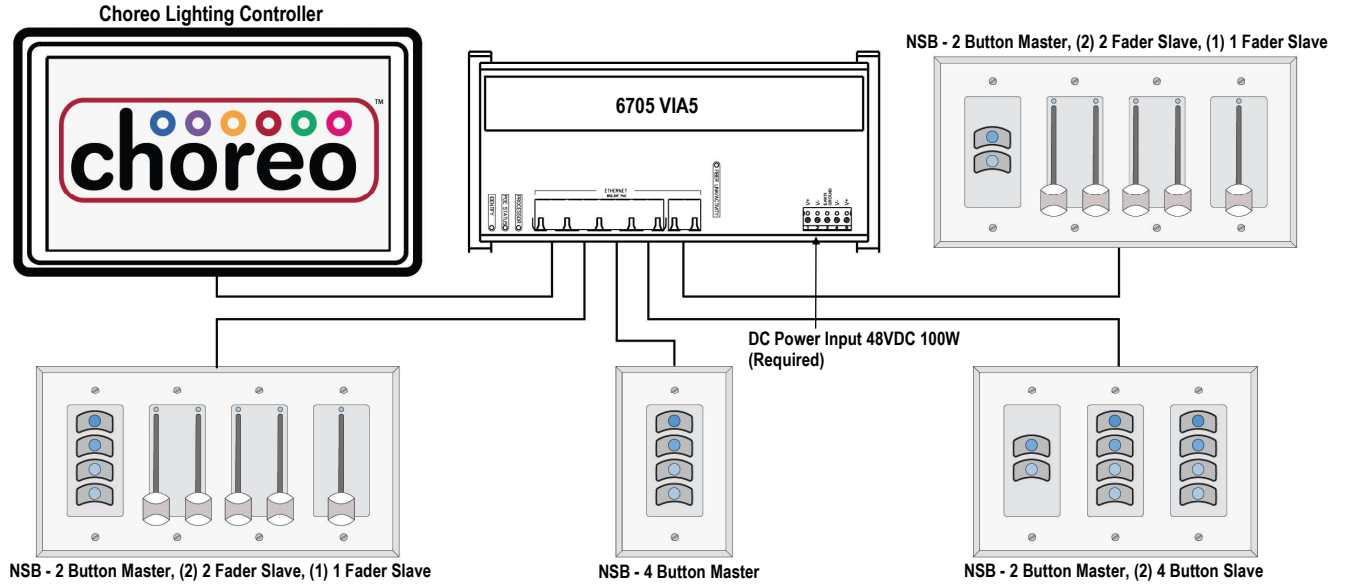
REAR VIEW OF ASSEMBLY

PoE variant shown. Each station must have Cat5 homerun to Ethernet PoE switch.

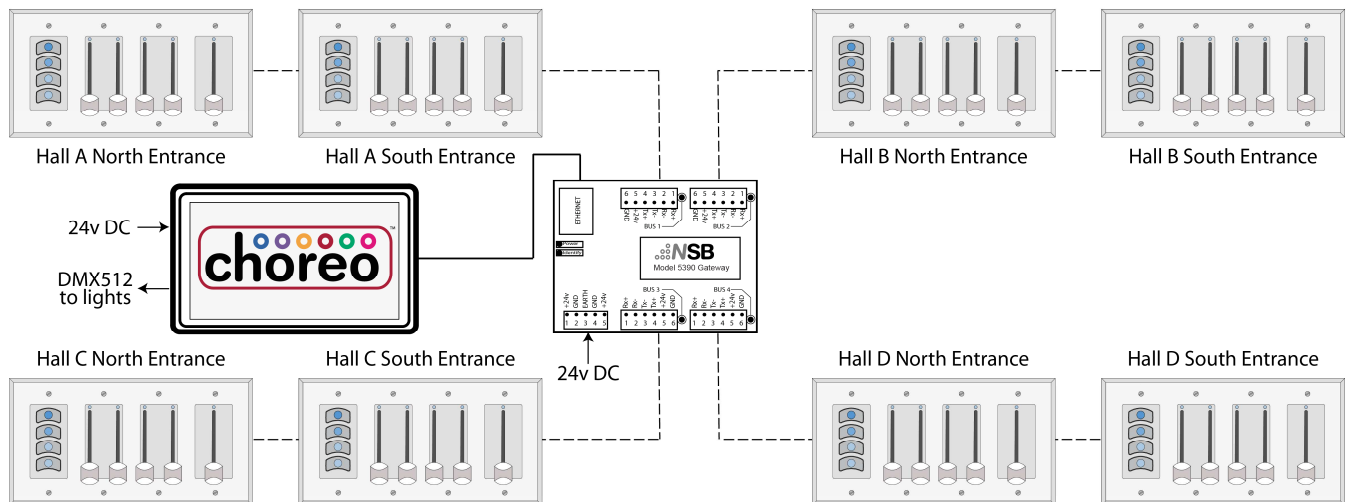


RS485 variant uses two six-pin headers (compression fit and IDC connectors) to allow multi-drop data buses. RS485 stations must be connected to a 539x NSB Architectural Gateway

PoE APPLICATION RISER



Rs485 APPLICATION RISER



ORDERING INFORMATION

NSB can be ordered à la carte or as pre-assembled stations.
Refer to NSB Ordering Information Sheet for details.



PART #	DESCRIPTION
PoE Master Inserts	<i>All Inserts Available in Black (BL) or White (WH)</i>
700-5311 BL/WH	NSB PoE - Two Button Master Insert
700-5312 BL/WH	NSB PoE - Four Button Master Insert
700-5313 BL/WH	NSB PoE - One Slider Master Insert
700-5314 BL/WH	NSB PoE - Two Slider Master Insert
RS485 Master Inserts	
700-5331 BL/WH	NSB 485 - Two Button Master Insert
700-5332 BL/WH	NSB 485 - Four Button Master Insert
700-5333 BL/WH	NSB 485 - One Slider Master Insert
700-5334 BL/WH	NSB 485 - Two Slider Master Insert
Slave Inserts	
700-5901 BL/WH	Two Button Slave Insert
700-5902 BL/WH	Four Button Slave Insert
700-5903 BL/WH	One Slider Slave Insert
700-5904 BL/WH	Two Slider Slave Insert
Choreo NSB Gateway	- Required on networks using RS485 Master Inserts
700-5390	NSB 485 Architectural Gateway
700-5392	NSB 485 Architectural Gateway with 2 DMX and 8 Contact Closures
700-5393	NSB 485 Architectural Gateway with 16 Contact Closures

Accessories:

1001-30	eDIN Power Supply 30 Watt, 24VDC
Faceplates	
5001 BL/WH	Faceplate, One Gang
5002 BL/WH	Faceplate, Two Gang
5003 BL/WH	Faceplate, Three Gang
5004 BL/WH	Faceplate, Four Gang
5005 BL/WH	Faceplate, Five Gang
5006 BL/WH	Faceplate, Six Gang
Consolette	
700-7905	3-Gang Button Slider Station table-top Consolette with rear Ethercon - Black