



We Deliver the Power™

Lex Products Corporation
15 Progress Drive
Shelton, CT 06484
203.363.3738
203.363.3742 Fax

Lex West
11847 Sheldon Street
Sun Valley, CA 91352
818.768.4474
818.768.4040 Fax

www.lexproducts.com
info@lexproducts.com
800.643.4460

Enclosed Rack Mount Power Distribution Modules

PowerRACK™

Rack Mount Power Distribution

ETL Listed Power for Permanent and Rolling Rack Use

Lex Products' PowerRACK™ Enclosed Rack Mount Power Distribution modules allow convenience receptacles to be added to standard 19-inch permanent or portable rolling racks. Modules are ETL Listed to UL Standards and are available in 1, 2 and 3 rack unit configurations.







Nineteen different models offer many of input and output options, and make the modules exceptionally flexible for shifting power requirements. Typical applications include powering audio and lighting equipment.

Features & Benefits











- **Product range includes a variety of connectors to meet the changing needs of entertainment venues, including PowerCONs for the growing use of LED lights**
- **ETL Listed for US and Canada, tested to UL Standards**
- **Aluminum construction with anodized finish is lightweight for portability and durable for years of service**
- **Modules are fully enclosed for easy handling and installation**
- **Indicator lights and silk-screened numbers enable easy circuit identification**
- **Suitable for Lex Products PowerRACK Rolling Distribution Racks or any standard 19" rack, permanent or portable**





Enclosed Rack Modules - 1RU



View	Part Number	Input	Output	Overcurrent Protection	# Circuits
	PRM1UN-8CA				
Front		Front: 2 x 20 Amp PowerCON, In/Thru	Rear: 6 x NEMA 5-15, 15 Amp receptacles; Front: 2 x NEMA 5-15, 15 Amp receptacles	Front: 1 x 15 Amp	1
Rear					
	PRM1TN-6CA				
Front		Rear: 1 x 20 Amp PowerCON, In	Rear: 6 x NEMA 5-15, 15 Amp receptacles	Front: 1 x 15 Amp	1
Rear					
	PRM1TNTN-8CA				
Front		Rear: 2 x 20 Amp PowerCON, In	Rear: 8 x NEMA 5-15, 15 Amp receptacles	Front: 2 x 15 Amp	1
Rear					



Enclosed Rack Modules - 2RU

View	Part Number	Input	Output	Overcurrent Protection	# Circuits
	PRM2IC-9CC				
Front		Front: NEMA L5-30, 30 Amp locking, In/Thru	Rear: 8 x NEMA 5-20, 20 Amp duplex; Front: 1 x NEMA 5-20, 20 Amp duplex	Front: 3 x 20 Amp	3
Rear					
	PRM2IJ-5CC2DC				
Front		Front: NEMA L14-30, 30 Amp locking, In/ Thru	Rear: 2 x NEMA L5-30, 30 Amp locking, 4 x NEMA 5-20, 20 Amp duplex; Front: 1 x NEMA 5-20, 20 Amp duplex	Front: 2 x 30 Amp, 2 x 20 Amp	4
Rear					
	PRM2IJ-3CC4DC				
Front		Front: NEMA L14-30, 30 Amp locking, In/Thru	Rear: 4 x NEMA L5-30, 30 Amp locking, 2 x NEMA 5-20, 20 Amp duplex; Front: 1x NEMA 5-20, 20 Amp duplex	Front: 2 x 30 Amp, 2 x 20 Amp	4
Rear					
	PRM2IN-7CC				
Front		Front: NEMA L21-30, 30 Amp locking, In/Thru	Rear: 6 x NEMA 5-20, 20 Amp duplex; Front: 1 x NEMA 5-20, 20 Amp duplex	Front: 3 x 20 Amp	3
Rear					
	PRM2IN-9CC				
Front		Front: NEMA L21-30, 30 Amp locking, In/Thru	Rear: 8 x NEMA 5-20, 20 Amp duplex; Front: 1 x NEMA 5-20, 20 Amp duplex	Front: 3 x 20 Amp	3
Rear					


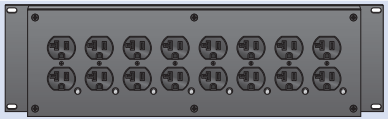
Enclosed Rack Modules - 2RU (Continued)


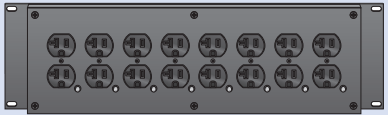
View	Part Number PRM2IN-5CC2DC	Input	Output	Overcurrent Protection	# Circuits
Front		Front: NEMA L21-30, 30 Amp locking, In/Thru	Rear: 2 x NEMA L5-30, 30 Amp locking, 4 x NEMA 5-20, 20 Amp duplex; Front: 1 x NEMA 5-20, 20 Amp duplex	Front: 2 x 30 Amp, 2 x 20 Amp	4
Rear					



View	Part Number PRM2IN-3CC4DC	Input	Output	Overcurrent Protection	# Circuits
Front		Front: NEMA L21-30, 30 Amp locking, In/Thru	Rear: 4 x NEMA L5-30, 30 Amp locking, 2 x NEMA 5-20, 20 Amp duplex; Front: 1 x NEMA 5-20, 20 Amp duplex	Front: 2 x 30 Amp, 2 x 20 Amp	4
Rear					

View	Part Number PRM2IN-1CC12GN	Input	Output	Overcurrent Protection	# Circuits
Front		Front: NEMA L21-30, 30 Amp locking, In/Thru	Rear: 12 x 20 Amp PowerCON; Front: 1 x NEMA 5-20, 20 Amp duplex	Front: 3 x 20 Amp	3
Rear					

Enclosed Rack Modules - 3RU

View	Part Number PRM3IJ-9CC	Input	Output	Overcurrent Protection	# Circuits
Front		Front: NEMA L14-30, 30 Amp locking, In/Thru	Rear: 8 x NEMA 5-20, 20 Amp duplex; Front: 1 x NEMA 5-20, 20 Amp duplex	Front: 6 x 20 Amp	6
Rear					

View	Part Number PRM3IN-9CC	Input	Output	Overcurrent Protection	# Circuits
Front		Front: NEMA L21-30, 30 Amp locking, In/Thru	Rear: 8 x NEMA 5-20, 20 Amp duplex; Front: 1 x NEMA 5-20, 20 Amp duplex	Front: 6 x 20 Amp	6
Rear					

View	Part Number PRM3IN-5CC2DC	Input	Output	Overcurrent Protection	# Circuits
Front		Front: NEMA L21-30, 30 Amp locking, In/Thru	Rear: 3 x NEMA L5-30, 30 Amp locking, 3 x NEMA 5-20, 20 Amp duplex; Front: 1 x NEMA 5-20, 20 Amp duplex	Front: 3 x 30 Amp, 3 x 20 Amp	6
Rear					

Enclosed Rack Modules - 3RU (Continued)

View	Part Number	Input	Output	Overcurrent Protection	# Circuits
Front	PRM3IN-4CC3DC	Front: NEMA L21-30, 30 Amp locking, In/Thru	Rear: 2 x NEMA L5-30, 30 Amp locking, 4 x NEMA 5-20, 20 Amp duplex; Front: 1 x NEMA 5-20, 20 Amp duplex	Front: 2 x 30 Amp, 4 x 20 Amp	6
Rear					
Front	PRM3IN-3CC4DC	Front: NEMA L21-30, 30 Amp locking, In/Thru	Rear: 4 x NEMA L5-30, 30 Amp locking, 2 x NEMA 5-20, 20 Amp duplex; Front: 1 x NEMA 5-20, 20 Amp duplex	Front: 4 x 30 Amp, 2 x 20 Amp	6
Rear					
Front	PRM3IN-1CC6DC	Front: NEMA L21-30, 30 Amp locking, In/Thru	Rear: 6 x NEMA L5-30, 30 Amp locking; Front: 1 x NEMA 5-20, 20 Amp duplex	Front: 5 x 30 Amp, 1 x 20 Amp	6
Rear					
Front	PRM3IN-1CC12GN	Front: NEMA L21-30, 30 Amp locking, In/Thru	Rear: 12 x 20 Amp PowerCON; Front: 1 x NEMA 5-20, 20 Amp duplex	Front: 6 x 20 Amp	6
Rear					
Front	PRM3KN-9CC	Front: CS63, 50 Amp, 125/250V locking, In/Thru	Rear: 8 x NEMA 5-20, 20 Amp duplex; Front: 1 x NEMA 5-20, 20 Amp duplex	Front: 6 x 20 Amp	6
Rear					

Rack Accessories

Description	Part Number	Size
Vent panel	PRP1V	1RU
Blank panel	*Part Number PRPB1, PRPB2, PRPB3, PRPB4, PRPB5, PRPB6	1RU - 6RU

*Part number's last digit = RU