



Whirlwind's Patent-Pending Recessed Wall Frames

These two-piece wall frame assemblies recess exposed connectors, providing greater protection for them and enhancing any installation. Whirlwind patent-pending Wall Frames are currently available to fit 8"x8" and 12"x12" standard NEMA type 1 electrical backboxes. There are two standard recess depths (1" and 2.5") and frames are available for both flush mount and surface mount applications.

The surface mount version (WFS_ _ _) mounting flanges are the same dimensions as the corresponding backbox.

The flush mount version (WFF_ _ _) mounting flanges extend one-half inch beyond the edge of the backbox on all four sides to provide a visually appealing trim ring effect to the finished wall.

Frame finish is black powdercoat. (Custom finishes available upon request.)

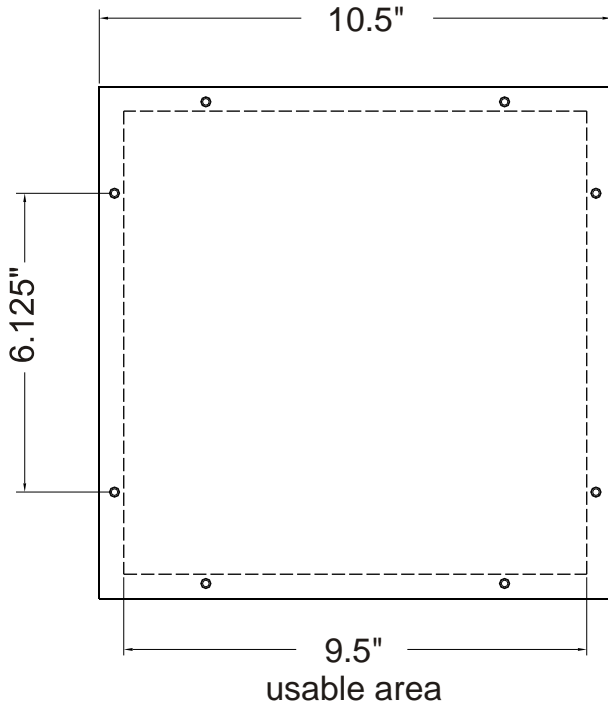
Connector mounting insert panels (WFI_ _ _) attach to the frames and can be custom punched, engraved and loaded by Whirlwind to accommodate any installation requirement. Standard finish is black anodized aluminum.

Other sizes of recessed Wall Frames are also available upon request.

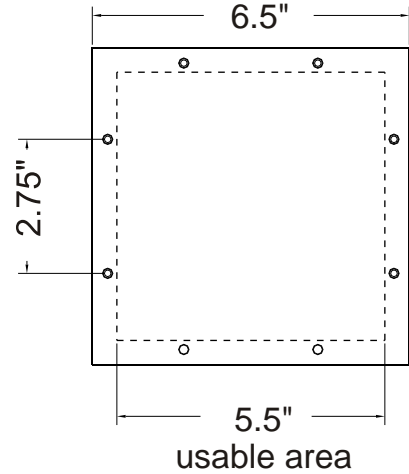
WFS8x8x1B	8" x 8" x 1"	fits 8" x 8" x 4" surface-mounted electrical box
WFS8x8x2.5B	8" x 8" x 2.5"	fits 8" x 8" x 6" surface-mounted electrical box
WFF8x8x1B	9" x 9" x 1"	fits 8" x 8" x 4" recessed electrical box
WFF8x8x2.5B	9" x 9" x 2.5"	fits 8" x 8" x 6" recessed electrical box
WFS12x12x1B	12" x 12" x 1"	fits 12" x 12" x 4" surface-mounted electrical box
WFS12x12x2.5B	12" x 12" x 2.5"	fits 12" x 12" x 6" surface-mounted electrical box
WFF12x12x1B	13" x 13" x 1"	fits 12" x 12" x 4" recessed electrical box
WFF12x12x2.5B	13" x 13" x 2.5"	fits 12" x 12" x 6" recessed electrical box

Connector Insert Plates

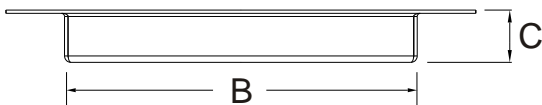
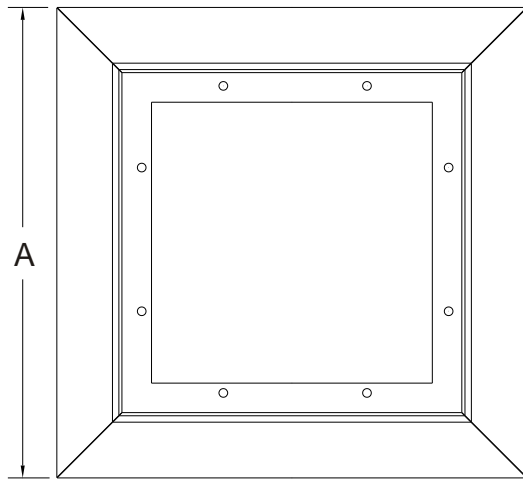
WFI12x12B
fits 12x12 WFF and WFS



WFI8x8B
fits 8x8 WFF and WFS



Wall Frame Dimensions



	A	B	C
WFS8x8x1	8"	6.75"	1"
WFS8x8x2.5	8"	6.75"	2.5"
WFF8x8x1	9"	6.75"	1"
WFF8x8x2.5	9"	6.75"	2.5"
WFS12x12x1	12"	10.75"	1"
WFS12x12x2.5	12"	10.75"	2.5"
WFF12x12x1	13"	10.75"	1"
WFF12x12x2.5	13"	10.75"	2.5"

4) SCR1032X1/2PPF screws included to mount frame to backbox

SCR632X3/8FPU screws are supplied with the WFI inserts for mounting.

Made In USA