

Owner's Manual

Low-Profile Wall-Mount SmartRack® Enclosures

Models: SRWF2U, SRWF2U36, SRWF4U, SRWF4U36, SRWF5U,
SRWF5U36, SRWF6U, SRWF6U36

Table of Contents

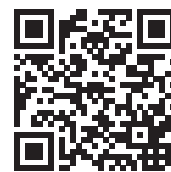
1. Important Safety Instructions	2	6. Wall Mounting the Enclosure	6
2. Overview	2	6.1 Mounting	6
3. Feature Identification	3	7. Equipment Installation	7
4. Enclosure Installation	4	8. Optional Patch Panel Installation	7
4.1 Preparation	4	9. Specifications	7
4.2 Unpacking	4	10. Storage & Service	8
5. Enclosure Configuration	5	11. Warranty & Product Registration	8
5.1 Door Locks	5		
5.2 Cable Access & Management	5	Español	9
5.3 Reversing the Front Door	5		
5.4 Mounting Rails	6		
5.5 Adjusting Mounting Rail Depth	6		

PROTECT YOUR INVESTMENT!

Register your product for quicker service and ultimate peace of mind.

You could also win an ISOBAR6ULTRA surge protector—a \$100 value!

www.tripplite.com/warranty



1111 W. 35th Street, Chicago, IL 60609 USA • www.tripplite.com/support

Copyright © 2015 Tripp Lite. All trademarks are the sole property of their respective owners.

1. Important Safety Instructions



SAVE THESE INSTRUCTIONS

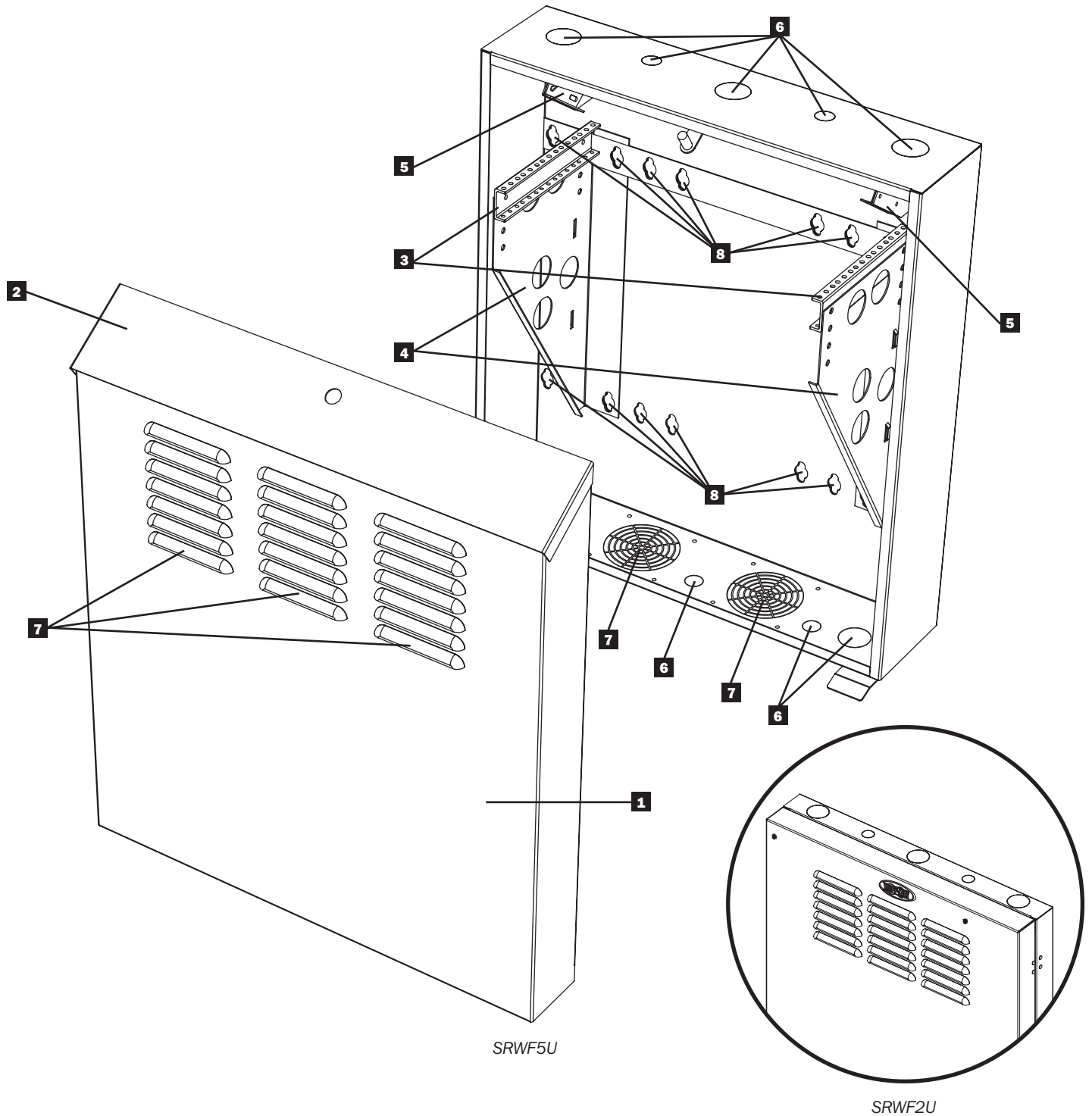
This Manual contains instructions and warnings that must be followed during the installation and operation of the product described in this manual. Failure to comply may invalidate the warranty and cause property damage or personal injury.

- Keep the enclosure in a controlled indoor environment, away from moisture, temperature extremes, flammable liquids and gasses, conductive contaminants, dust and direct sunlight.
- Leave adequate space at the front and rear of the enclosure for proper ventilation. Do not block, cover or insert objects into the external ventilation openings of the enclosure.
- The enclosure is extremely heavy. Use caution when handling the enclosure. Do not attempt to unpack, move or install it unassisted. Use a mechanical device such as a forklift or pallet jack to move the enclosure in the shipping container.
- Do not place any object on the enclosure, especially containers of liquid, and do not attempt to stack the enclosures.
- Inspect the shipping container and the enclosure for shipping damage. Do not use the enclosure if it is damaged.
- Leave the enclosure in the shipping container until it has been moved as close to the final installation location as possible.
- Install the enclosure in a structurally sound area capable of handling the load, or on a level floor that is able to bear the weight of the enclosure, all equipment that will be installed in the enclosure and any other enclosures and/or equipment that will be installed nearby.
- Use caution when cutting packing materials. The enclosure could be scratched, causing damage not covered by the warranty.
- Save all packing materials for later use. Repacking and shipping the enclosure without the original packing materials may cause product damage that will void the warranty.
- Do not reship the enclosure with additional equipment unless the enclosure was shipped with a special shock pallet (“SP1” models only). The combined weight of the enclosure and installed equipment must not exceed the load capacity of the pallet. Tripp Lite is not responsible for any damage that occurs during reshipment.
- Use of this equipment in life support applications where failure of this equipment can reasonably be expected to cause the failure of the life support equipment or to significantly affect its safety or effectiveness is not recommended. Do not use this equipment in the presence of a flammable anesthetic mixture with air, oxygen or nitrous oxide.

2. Overview

These Low-Profile Wall-Mount SmartRack Enclosures provide convenient and secure vertical mounting for standard 19-inch rackmount equipment, regardless of vendor, and ship fully assembled for quick and easy deployment.

3. Feature Identification



Features for all other models are similar, except the SRWF2U series does not have a top panel door.

- 1 Front Door
- 2 Top Panel Door
- 3 Horizontal Mounting Rails
- 4 Vertical Mounting Bracket
- 5 Patch Panel Mounting Bracket
- 6 Cable Access Holes
- 7 Vents
- 8 Wall-Mounting Slots

4. Enclosure Installation



Caution! Read All Instructions and Warnings Before Installation!



Warning: Rack enclosures can be extremely heavy. Do not attempt to unpack, move or install the enclosure without assistance. Use extreme caution when handling the enclosure and be sure to follow all handling and installation instructions. Do not attempt to install equipment without first stabilizing the enclosure.

4.1 Preparation

The enclosure must be installed in a structurally sound area that is able to bear the weight of the enclosure, all the equipment that will be installed in the enclosure and any other enclosures and/or equipment that will be installed nearby. Before unpacking the enclosure, you should transport the shipping container closer to the final installation location to minimize the distance you will need to move the unit after the protective packaging has been removed. If you plan to store the enclosure for an extended period before installation, follow the instructions in the **Storage and Service** section.

You need several tools:

- Level
- Phillips-head Screwdriver
- Appropriate tools for wall mounting

You also need the following hardware:

- Appropriate hardware for wall mounting (not included)

4.2 Unpacking



Use at least two people to unpack the enclosure.



- 1** Move shipping pallet to a firm, level surface.
- 2** Open box and remove the four foam corner protectors. Save all packing materials for later use unless you are certain they will not be required. Packing materials are recyclable.
- 3** With one person on each side, carefully lift the enclosure out of the box and place on a firm, level surface.
- 4** Examine the enclosure for any damage or loose parts. Confirm all parts are present. If anything is missing or damaged, contact Tripp Lite for assistance. Do not attempt to use the enclosure if it has been damaged.



Never extend more than one component from the enclosure at a time.



**Warning: Never attempt to lift or install without adequate help.
Do not try lifting the enclosure alone.**

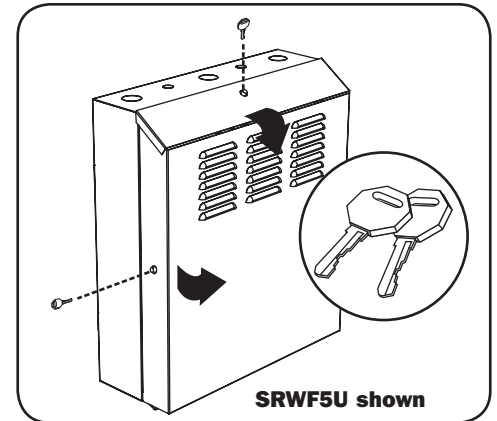
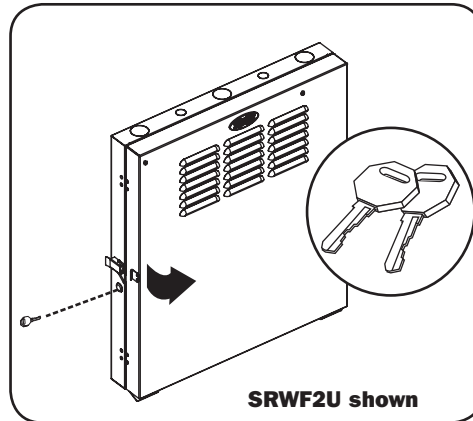


5. Enclosure Configuration

Before installation, be sure to plan the location and arrangement of components within the enclosure. Be sure all mounting rails are reversed or adjusted for depth, depending on your equipment configuration.

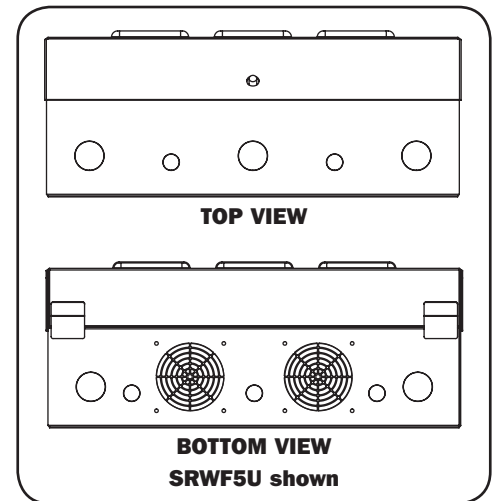
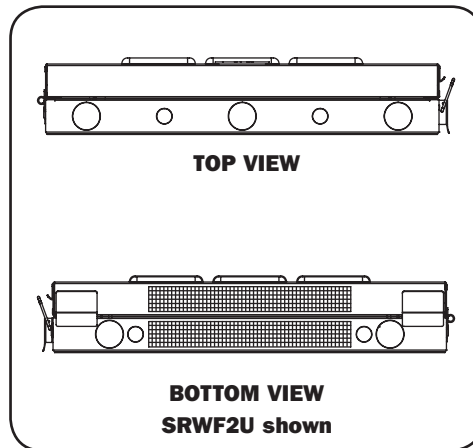
5.1 Door Locks

The SRWF2U series models have one lock on the side of the unit that's accessible by the included key. The SRWF4U, SRWF5U and SRWF6U series models have locks on the front door and the top panel door that are accessible by included keys. All models have a front door latch that can be locked with a user-supplied padlock for extra security.



5.2 Cable Access and Management

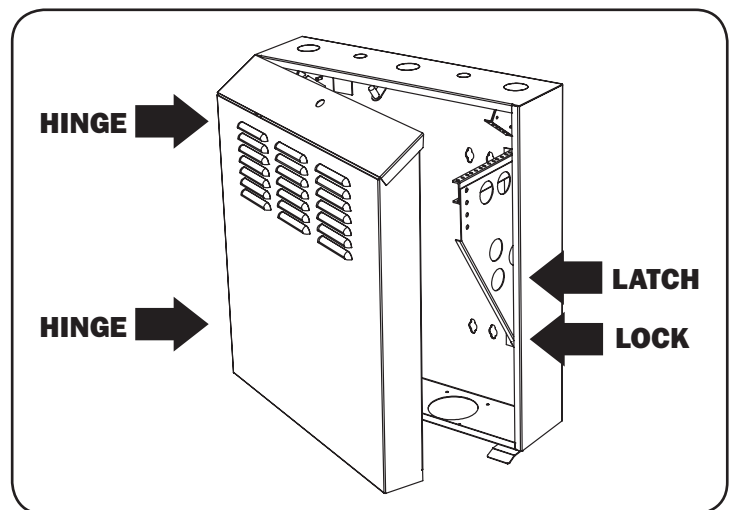
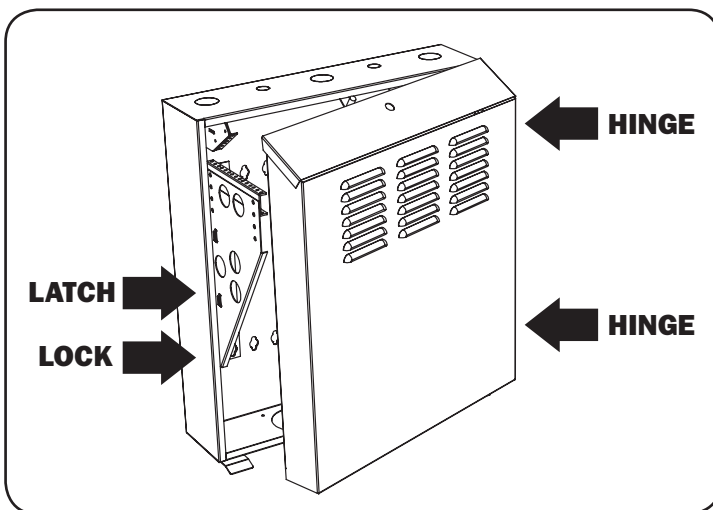
The top and bottom panels of the enclosure both have circular cable access ports for convenient cable management. The tops of all models have three 1.75" ports and two 1" ports. The bottoms of SRWF2U and SRWF4U series models have two 1" and 1.75" ports, while the SRWF5U and SRWF6U series models have three 1" ports and two 1.75" ports.



5.3 Reversing the Front Door

In order to accommodate various rack installations, the front door can be reversed by switching the configuration of its latch, lock and hinges. To reverse the door, simply remove the screws that secure the latch, lock and hinges to the enclosure. Move each piece to the opposite side of the enclosure, so that there are two hinges on one side (one at the top, one at the bottom) and the latch and the lock on the other side.

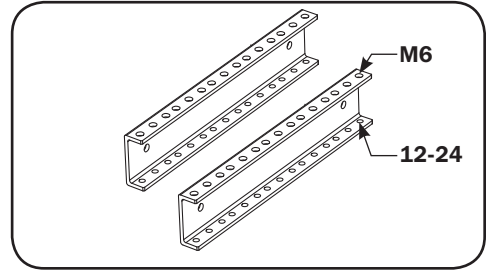
Note: The unused screw holes are filled with rubber placeholders. To remove the placeholders, push them through with a screwdriver. Keep the placeholders to refill unused screw holes.



5. Enclosure Configuration *(continued)*

5.4 Mounting Rails

The enclosure comes with reversible horizontal mounting rails that have threaded holes for mounting rack equipment. The holes on one side of the rail are threaded for M6 hardware, while the holes on the other side are threaded for 12-24. Orient the rails so the hole type you need is on top. To install equipment, use the included M6 or 12-24 hardware to secure equipment to the rails. (See the following page for equipment installation instructions.) **Warning: Be sure to have the enclosure securely mounted to the wall, or in its final position on the floor before mounting any equipment inside. Also be sure to have all the right adjustments on your rails before mounting equipment. (See below for Adjusting Mounting Rail Depth.)**

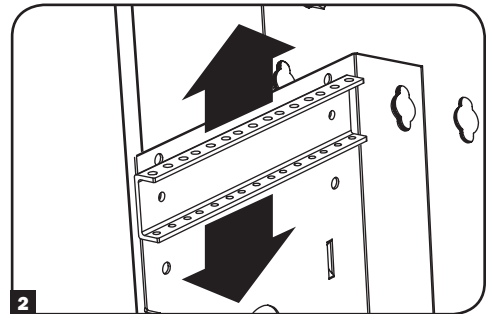
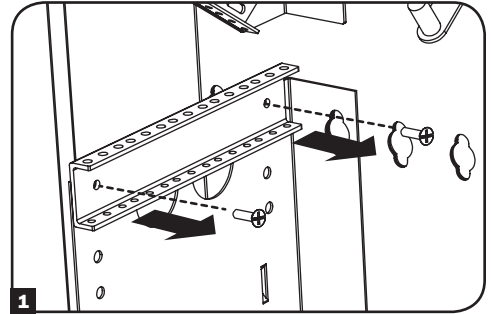


5.5 Adjusting Mounting Rail Depth

Warning: Do not attempt to adjust rails while equipment is installed in the enclosure. Do not attempt to use rails without screws installed. (2 per rail.)

The two horizontal mounting rails are pre-installed to accommodate equipment with a mounting depth of 20 inches (508 mm). Do not adjust the mounting rails unless your equipment requires a different mounting depth. The rails can be adjusted in 1-inch increments for mounting depths between 17 inches (432 mm) and 20 inches (508 mm).

- 1 Each rail is connected to the enclosure with 2 screws: 1 at the front of the enclosure and one at the rear. Using a Philips-head screwdriver, remove the screws that fasten the rails to the enclosure.
- 2 Slide the mounting rails vertically to the desired depth and reattach them using the screws you removed in Step 1.



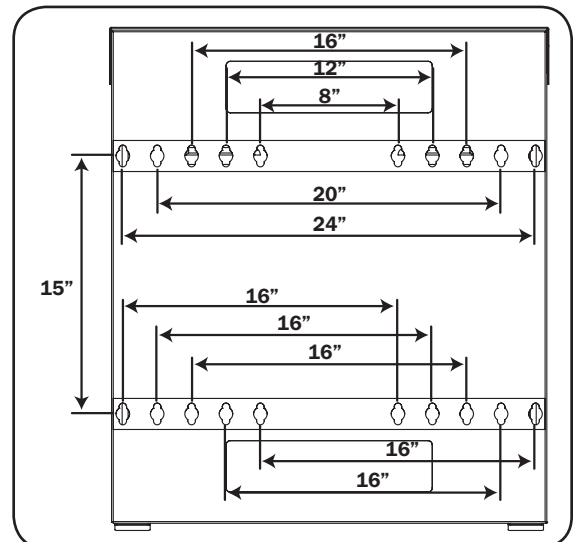
6. Wall Mounting the Enclosure

Warning: Do not attempt to mount the enclosure to the wall with equipment mounted in the enclosure.

6.1 Mounting

There are 20 keyhole cutouts on the back door of the enclosure arranged in 4 sets of 5. Each keyhole can accommodate an M10 or 3/8" bolt. The holes are on 16" centers, with the holes in each set 2" apart from center to center. Holes are then 15" apart vertically, as shown in the diagram.

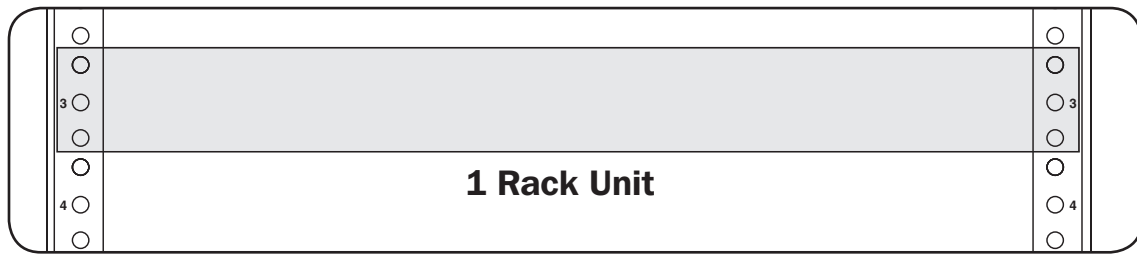
Using a level, measure to position your mounting areas precisely. Use appropriate fasteners (not included) to secure the enclosure to the wall. A minimum of four fasteners and appropriately-sized fender washers is recommended. **Warning: The area you plan to mount the enclosure to must be able to withstand the weight of the enclosure and all mounted equipment. For the weight of the enclosure and its capacity, see the Specifications section.**



7. Equipment Installation

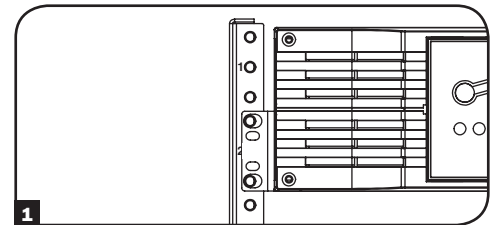
Warning: Do not install equipment until you have stabilized the enclosure. If using sliding equipment rails, be careful when extending the rails. Do not extend more than one set of sliding equipment rails at one time. Avoid extending sliding equipment rails near the top of the enclosure.

Note: The threaded holes in the middle of each rack unit are numbered. A single rack unit includes the space occupied by the numbered hole and the holes directly above and below.



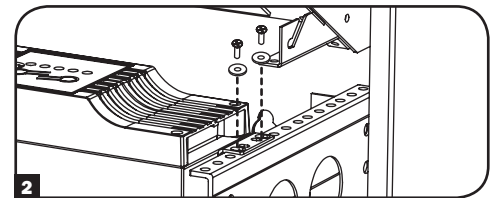
WARNING: Follow the instructions in your equipment documentation to ensure proper installation of your equipment.

- 1 Locate the numbered openings in the mounting rails where you plan to install your equipment. Lower your equipment into the enclosure and set it down on the mounting rails, lining up the mounting holes on the equipment with the mounting rail's mounting holes.



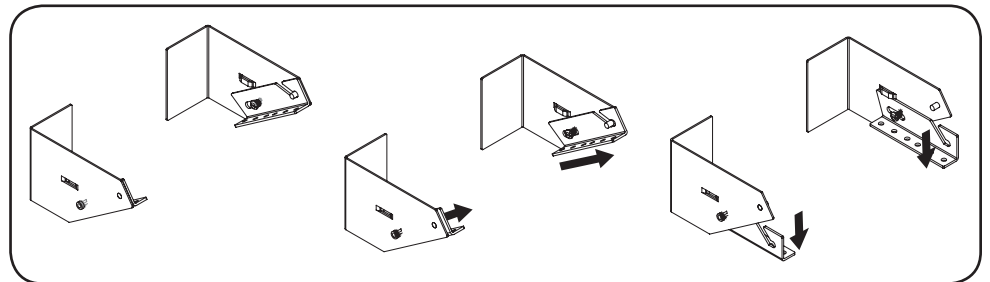
- 2 Use the included mounting screws and washers to secure your equipment to the rack rail. Place the washers between the screws and the equipment mounting brackets.

Note: Your equipment may also include mounting hardware. Read the mounting instructions that came with your equipment before installing your equipment.



8. Optional Patch Panel Installation

The unit comes with an integral, slide-out mounting bracket at the top of the enclosure. It can be used to secure a patch panel to the enclosure, and it partially slides out for easier cabling access. To install a patch panel on the patch panel mounting bracket, use the included mounting screws and washers to secure your equipment to the rack rail. Place the washers between the screws and the patch panel mounting bracket.



9. Specifications

Model	Dimensions (HxWxD)	Unit Weight	Load Capacity*	Mounting Depth (Adjustable)
SRWF2U	28.8" x 25.6" x 4.5" (732 x 651 x 114 mm)	41.9 lb (19 kg)	150 lb (68.1 kg)	17" to 20" (432 to 508 mm)
SRWF2U36	43" x 25.6" x 4.5" (1092 x 651 x 114 mm)	59.5 lb (27 kg)	150 lb (68.1 kg)	33" to 36" (838 to 914 mm)
SRWF4U	28.8" x 25.6" x 8" (732 x 651 x 203 mm)	44.1 lb (20 kg)	150 lb (68.1 kg)	17" to 20" (432 to 508 mm)
SRWF4U36	43" x 25.6" x 8" (1092 x 651 x 203 mm)	61.7 lb (28 kg)	150 lb (68.1 kg)	33" to 36" (838 to 914 mm)
SRWF5U	28.8" x 25.6" x 9.7" (732 x 651 x 247 mm)	45 lb (20.4 kg)	150 lb (68.1 kg)	17" to 20" (432 to 508 mm)
SRWF5U36	43" x 25.6" x 9.7" (1092 x 651 x 247 mm)	55 lb (25 kg)	150 lb (68.1 kg)	33" to 36" (838 to 914 mm)
SRWF6U	28.8" x 25.6" x 11.5" (732 x 651 x 292 mm)	55.1 lb (25 kg)	150 lb (68.1 kg)	17" to 20" (432 to 508 mm)
SRWF6U36	43" x 25.6" x 11.5" (1092 x 651 x 292 mm)	77.2 lb (35 kg)	150 lb (68.1 kg)	33" to 36" (838 to 914 mm)

* Full wall-mount load capacity requires a mounting surface capable of bearing the full load.

10. Storage & Service

Storage

The enclosure should be stored in a controlled indoor environment, away from moisture, temperature extremes, flammable liquids and gasses, conductive contaminants, dust and direct sunlight. Store the enclosure in its original shipping container if possible.

Service

Your Tripp Lite product is covered by the warranty described in this manual. A variety of Extended Warranty and On-Site Service Programs are also available from Tripp Lite. For more information on service, visit www.tripplite.com/support. Before returning your product for service, follow these steps:

1. Review the installation and operation procedures in this manual to insure that the service problem does not originate from a misreading of the instructions.
2. If the problem continues, do not contact or return the product to the dealer. Instead, visit www.tripplite.com/support.
3. If the problem requires service, visit www.tripplite.com/support and click the Product Returns link. From here you can request a Returned Material Authorization (RMA) number, which is required for service. This simple on-line form will ask for your unit's model and serial numbers, along with other general purchaser information. The RMA number, along with shipping instructions will be emailed to you. Any damages (direct, indirect, special or consequential) to the product incurred during shipment to Tripp Lite or an authorized Tripp Lite service center is not covered under warranty. Products shipped to Tripp Lite or an authorized Tripp Lite service center must have transportation charges prepaid. Mark the RMA number on the outside of the package. If the product is within its warranty period, enclose a copy of your sales receipt. Return the product for service using an insured carrier to the address given to you when you request the RMA.

11. Warranty & Product Registration

5-Year Limited Warranty

Seller warrants this product, if used in accordance with all applicable instructions, to be free from original defects in material and workmanship for a period of 5 years from the date of initial purchase. If the product should prove defective in material or workmanship within that period, Seller will repair or replace the product, at its sole discretion.

THIS WARRANTY DOES NOT APPLY TO NORMAL WEAR OR TO DAMAGE RESULTING FROM ACCIDENT, MISUSE, ABUSE OR NEGLIGENCE. SELLER MAKES NO EXPRESS WARRANTIES OTHER THAN THE WARRANTY EXPRESSLY SET FORTH HEREIN. EXCEPT TO THE EXTENT PROHIBITED BY APPLICABLE LAW, ALL IMPLIED WARRANTIES, INCLUDING ALL WARRANTIES OF MERCHANTABILITY OR FITNESS, ARE LIMITED IN DURATION TO THE WARRANTY PERIOD SET FORTH ABOVE; AND THIS WARRANTY EXPRESSLY EXCLUDES ALL INCIDENTAL AND CONSEQUENTIAL DAMAGES. (Some states do not allow limitations on how long an implied warranty lasts, and some states do not allow the exclusion or limitation of incidental or consequential damages, so the above limitations or exclusions may not apply to you. This warranty gives you specific legal rights, and you may have other rights which vary from jurisdiction to jurisdiction).

WARNING: The individual user should take care to determine prior to use whether this device is suitable, adequate or safe for the use intended. Since individual applications are subject to great variation, the manufacturer makes no representation or warranty as to the suitability or fitness of these devices for any specific application.

Product Registration

Visit www.tripplite.com/warranty today to register your new Tripp Lite product. You'll be automatically entered into a drawing for a chance to win a FREE Tripp Lite product!*

* No purchase necessary. Void where prohibited. Some restrictions apply. See website for details.

Regulatory Compliance Identification Numbers

For the purpose of regulatory compliance certifications and identification, your Tripp Lite product has been assigned a unique series number. The series number can be found on the product nameplate label, along with all required approval markings and information. When requesting compliance information for this product, always refer to the series number. The series number should not be confused with the marketing name or model number of the product.

Tripp Lite has a policy of continuous improvement. Specifications are subject to change without notice.



Manual del propietario

Gabinetes SmartRack® de bajo perfil para instalar en la pared

Modelos: SRWF2U, SRWF2U36, SRWF4U, SRWF4U36, SRWF5U, SRWF5U36, SRWF6U, SRWF6U36

Índice

1. Instrucciones de seguridad importantes	10	6. Montaje del rack a la pared	14
2. Descripción general	10	6.1 Montaje	14
3. Identificación de características	11	7. Instalación del equipo	15
4. Enclosure Installation	12	8. Instalación Opcional del Panel de Conexiones	15
4.1 Preparación	12	9. Especificaciones	15
4.2 Desembalaje	12	10. Almacenamiento y mantenimiento	16
5. Configuración del rack	13	11. Garantía	16
5.1 Cerraduras de las puertas	13	English	1
5.2 Acceso y administración de los cables	13		
5.3 Inversión del rack	13		
5.4 Rieles de montaje	14		
5.5 Ajuste de la profundidad del riel de montaje	14		



1111 W. 35th Street, Chicago, IL 60609 USA • www.triplite.com/support

Copyright © 2015 Tripp Lite. Todas las otras marcas registradas son propiedad de sus respectivos dueños.

1. Instrucciones de seguridad importantes



GUARDE ESTAS INSTRUCCIONES

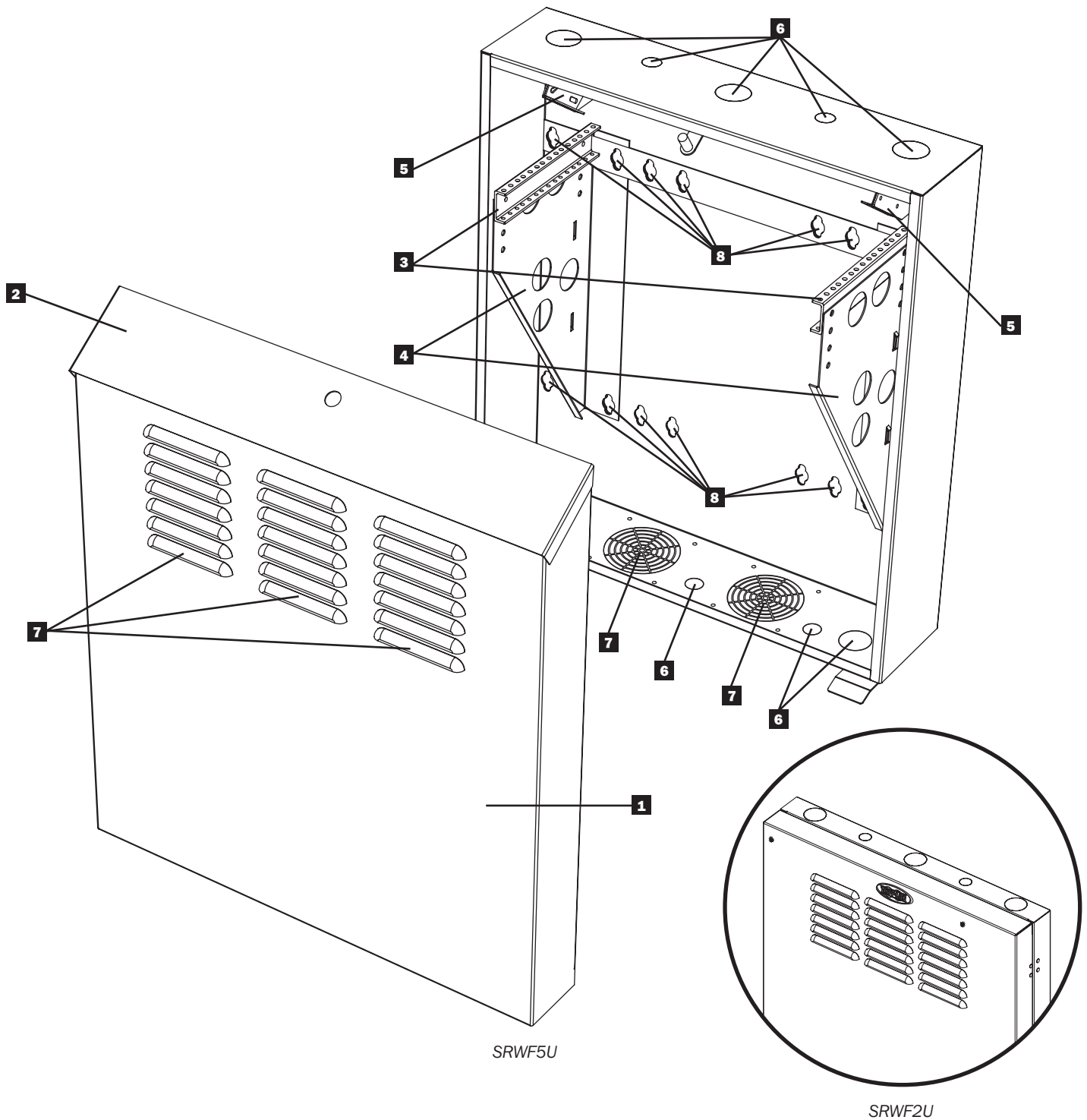
Este manual contiene instrucciones y advertencias que deben seguirse durante la instalación y operación del producto descrito en este manual. El incumplimiento invalidará la garantía, pudiendo causar serios daños a la propiedad y/o lesiones personales.

- Mantenga el rack en un ambiente interior controlado, lejos de la humedad, temperaturas extremas, líquidos y gases inflamables, contaminantes conductores, el polvo y la luz directa del sol.
- Deje espacio suficiente en el frente y la parte trasera del rack para una ventilación adecuada. No bloquee, cubra ni inserte objetos en las aberturas de ventilación externa del rack.
- El rack es extremadamente pesado. Manipúlelo con precaución. No intente desembalarlo, moverlo ni instalarlo sin ayuda. Utilice un dispositivo mecánico como una horquilla elevadora o un gato para pálets para moverlo en el contenedor de envío.
- No coloque ningún objeto sobre el rack, especialmente contenedores de líquido, y no intente apilar los racks.
- Inspeccione el contenedor de envío y el rack para detectar daños producidos durante el transporte. No lo use si está dañado.
- Deje el rack en el contenedor de envío hasta que se lo haya movido lo más cerca posible del lugar de instalación.
- Instale el rack en un área estructuralmente sana, capaz de soportar la carga, o con piso nivelado capaz de soportar el peso del rack, de todos los equipos que se instalarán en el rack y de cualquier otro rack y/o equipo que se instalarán cerca.
- Corte el material de embalaje con precaución. El rack podría rayarse causando daños que no están cubiertos por la garantía.
- Guarde los materiales de embalaje para utilizarlos en el futuro. Si el rack se vuelve a embalar y a enviar sin los materiales de embalaje originales, se pueden causar daños que anularán la garantía.
- No vuelva a enviar el rack con equipos adicionales, a menos que haya sido enviado con un pálet especial contra golpes (sólo los modelos "SP1"). El peso combinado del rack y de los equipos instalados no debe exceder la capacidad de carga del pálet. Tripp Lite no se responsabiliza por ningún daño que se produzca durante el reenvío.
- No se recomienda el uso de este equipo en aplicaciones de mantenimiento artificial de la vida, donde se puede esperar razonablemente que su falla cause la falla del equipo de mantenimiento de la vida o que afecte de manera importante su seguridad o eficiencia. No use este equipo en presencia de mezclas anestésicas inflamables con aire, oxígeno u óxido nítrico.

2. Descripción general

Estos gabinetes SmartRack de bajo perfil para instalar en la pared proporcionan instalación vertical conveniente y segura para el equipo para instalación en rack estándar de 19", sin importar el proveedor, y se envían completamente ensamblados para una instalación rápida y fácil.

3. Identificación de características



Las características de todos los demás modelos son similares, excepto los de la serie SRWF2U que no incluyen puerta en el panel superior.

- 1** Puerta delantera
- 2** Puerta Superior del Panel
- 3** Rieles de Instalación Horizontal
- 4** Soporte de Instalación Vertical
- 5** Soporte de Instalación del Panel de Conexiones
- 6** Orificios de Acceso del Cable
- 7** Ventiladores
- 8** Ranuras para Instalación en la Pared

4. Instalación del rack



Precaución. Lea todas las instrucciones y advertencias antes de la instalación.



Advertencia: Los racks pueden ser extremadamente pesados. No intente desembalarlo, moverlo ni instalarlo sin ayuda. Use máxima precaución al manipularlo y asegúrese de seguir todas las instrucciones de manipulación e instalación. No intente instalar equipos sin estabilizar primero el rack.

4.1 Preparación

El rack se debe instalar en una zona estructuralmente sana que pueda soportar su peso, el de todos los equipos que se instalarán en él y cualquier otro rack y/o equipos que se instalarán cerca. Antes de desembalar el rack, debería transportar el contenedor de envío lo más cerca posible de la ubicación de instalación final para minimizar la distancia que necesitará para moverlo después de quitarle el embalaje protector. Si planea almacenarlo durante un período prolongado antes de instalarlo, siga las instrucciones de la sección **Almacenamiento y servicio**.

Necesitará algunas herramientas:

- Nivel
- Destornillador Philips
- Herramientas adecuadas para el montaje en la pared

También necesita las siguientes herramientas:

- Herramientas adecuadas para el montaje en pared (no se incluyen)

4.2 Desembalaje



Para desempacar el gabinete, utilice al menos dos personas



1 Mueva del pálet de envío hacia una superficie firme y nivelada.

2 Extraiga los protectores y guarde todos los materiales de embalaje para uso futuro, a menos que esté seguro de que no serán necesarios. Los materiales de embalaje son reciclables.

3 Con una persona de cada lado, eleve el rack con cuidado hacia fuera del pálet y colóquelo en una superficie firme y nivelada.

4 Examine el rack para detectar daños o partes sueltas. Confirme que estén todas las partes. Si algo falta o está dañado, comuníquese con Tripp Lite para obtener ayuda. No use el rack si está dañado.



Nunca extienda más de un componente del gabinete por vez.



Advertencia: Nunca intente elevar o instalar el rack sin la ayuda adecuada. No intente elevar el rack usted solo.

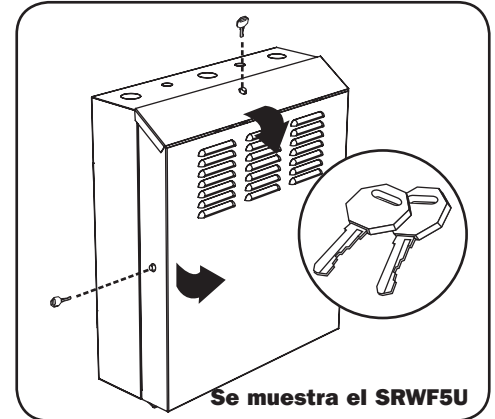
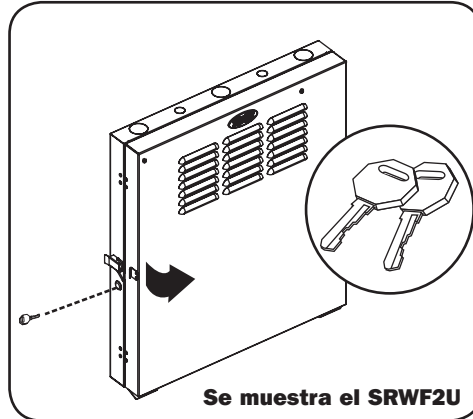


5. Configuración del rack

Antes de la instalación, asegúrese de planificar la ubicación y distribución de los componentes dentro del gabinete. Asegúrese de que todos los rieles de instalación estén al revés o ajustados según la profundidad, de acuerdo a la configuración del equipo.

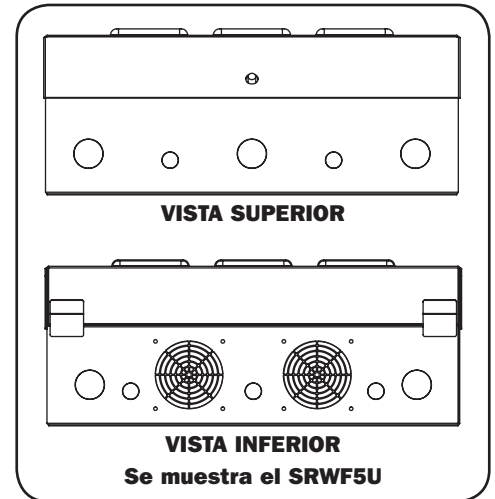
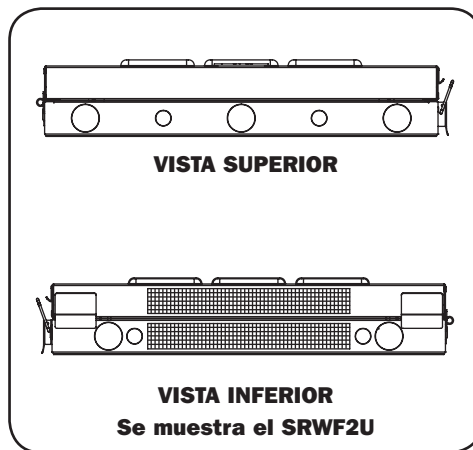
5.1 Cerraduras de las puertas

Los modelos de la serie SRWF2U tienen una cerradura en el costado de la unidad, que se abre con la llave incluida. Los modelos de las series SRWF4U, SRWF5U y SRWF6U tienen cerraduras en la puerta frontal y en la puerta del panel superior, que se abren con las llaves incluidas. Todos los modelos tienen un pestillo de la puerta delantera que puede asegurarse con un candado suministrado por el usuario para una mayor seguridad.



5.2 Acceso y administración de los cables

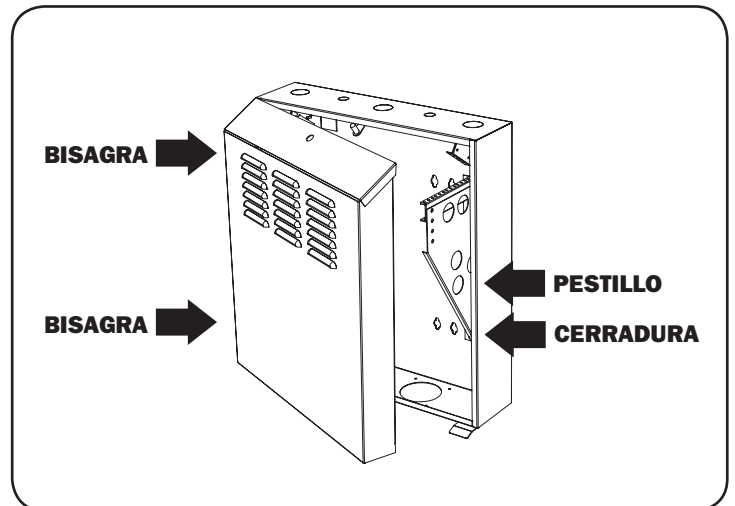
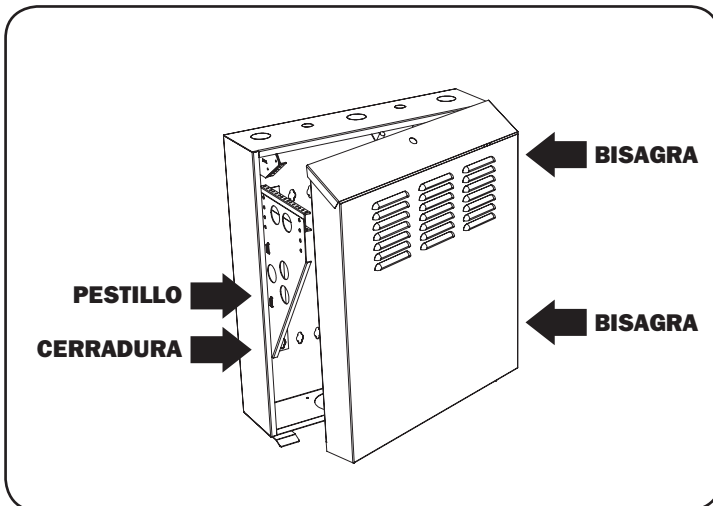
Las partes superiores de todos los modelos tienen tres puertos de 1.75" y dos puertos de 1". Las bases de los modelos de las series SRWF2U y SRWF4U tienen dos puertos de 1" y 1.75", mientras que los modelos de las series SRWF5U y SRWF6U tienen tres puertos de 1" y dos de 1.75".



5.3 Cómo invertir la Puerta Delantera

A fin de acomodar varias instalaciones de racks, la puerta delantera se puede invertir alternando la configuración de sus pestillos y bisagras. Para invertir la puerta, simplemente retire los tornillos que aseguran las bisagras y los pestillos al gabinete. Mueva cada pieza al lado opuesto del gabinete, de manera que haya dos bisagras en un lado (una en la parte superior, una en la parte inferior) y un pestillo en el otro lado.

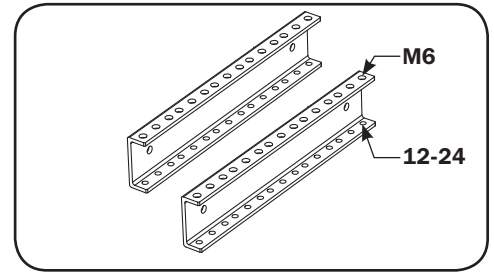
Nota: Los orificios de los tornillos no utilizados se rellenan con los marcadores de posición de hule. Para quitar los marcadores de posición, empújelos hacia adentro con un desarmador. Mantenga los marcadores de posición para rellenar los orificios de tornillos no utilizados.



5. Configuración del rack (continuación)

5.4 Rieles de montaje

El gabinete incluye rieles horizontales reversibles que tienen orificios roscados para instalar el equipo en los racks. Los orificios de un lado del riel están roscados para accesorios tipo M6, mientras que los orificios del otro lado están roscados para accesorios tipo 12-24. Oriente los rieles de manera que el tipo de orificio que necesite esté en la parte superior. Para instalar el equipo, use los accesorios M6 o 12-24 incluidos para asegurarlo a los rieles. (Vea la siguiente página con las instrucciones para instalar el equipo.) **Advertencia: Asegúrese de que el rack quede montado firmemente a la pared, o en su posición final en el piso antes de montar cualquier equipo en el interior. Asegúrese también de realizar todos los ajustes adecuados de rieles antes de montar los equipos. (Consulte la sección siguiente para ver el Ajuste de la profundidad del riel de montaje).**

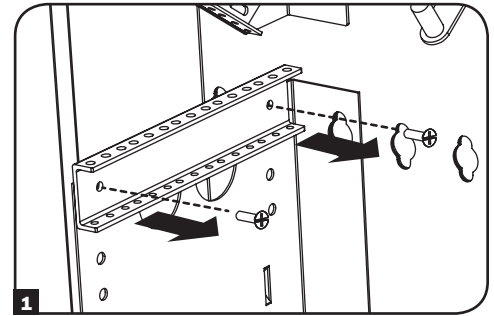


5.5 Ajuste de la profundidad del riel de montaje

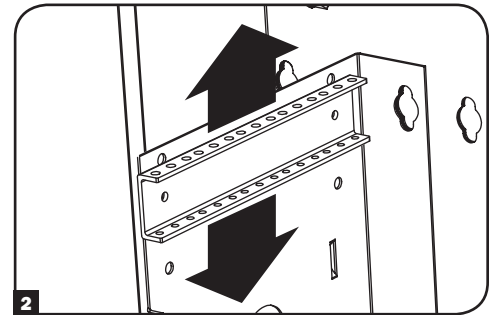
Advertencia: No intente ajustar los rieles mientras los equipos están instalados en el rack. No intente utilizar rieles sin tornillos instalados. (2 por riel).

Los dos rieles de instalación horizontal están preinstalados para acomodar los equipos con una profundidad de instalación de 20 pulgadas (508 mm). No ajuste los rieles de instalación a menos que los equipos requieran una profundidad de instalación distinta. Los rieles se pueden ajustar en incrementos de 1 pulgada para profundidades de instalación de entre 17 pulgadas (432 mm) y 20 pulgadas (508 mm).

1 Cada riel se conecta al gabinete con dos tornillos: 1 al frente del gabinete y otro por la parte trasera. Utilizando un desatornillador Phillips, extraiga los tornillos que ajustan los rieles al gabinete.



2 Deslice los rieles de instalación verticalmente hasta la profundidad deseada y vuelva a unirlos mediante los tornillos que extrajo anteriormente en el Paso 1.



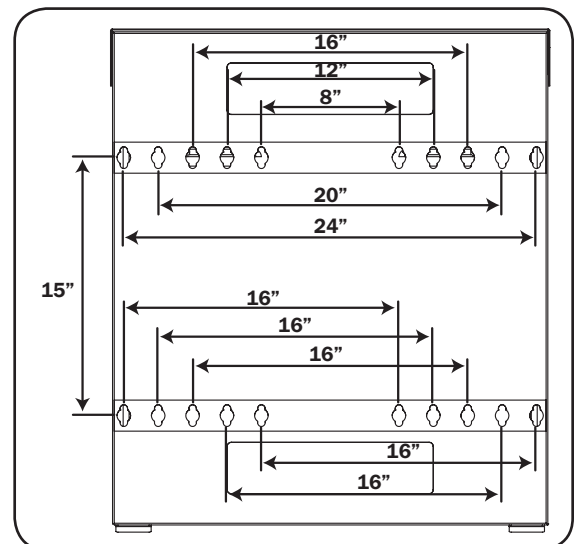
6. Montaje del rack a la pared

Advertencia: No intente montar el rack en la pared con equipos montados en el rack.

6.1 Montaje

Existen 20 perforaciones en la parte trasera del rack. Cada orificio está adaptado para insertar un perno M10 o de 3/8". Los orificios están en centros de 16 pulgadas, con los orificios en cada conjunto de 2 pulgadas de distancia de centro a centro. Los orificios son de 15 pulgadas de distancia en vertical, como se muestra en el diagrama.

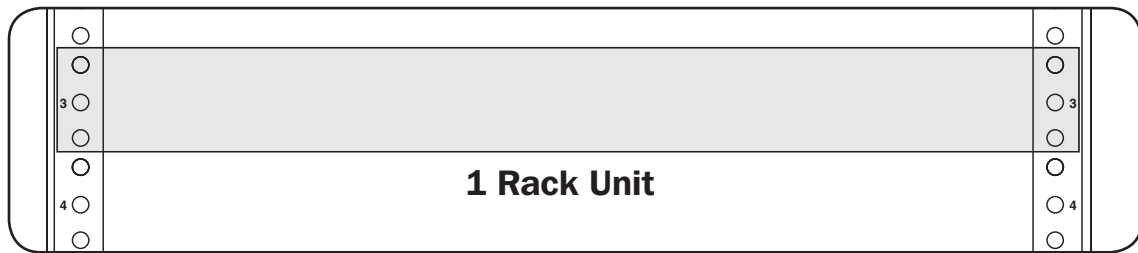
Utilizando un nivel, mida la posición de las áreas de montaje en forma precisa. Utilice pasadores adecuados (no incluidos) para asegurar el rack a la pared. Se recomienda usar, como mínimo, cuatro elementos de sujeción y arandelas de protección del tamaño adecuado. **Advertencia: Las herramientas que planea utilizar y el área en donde planea montar el rack deben poder soportar el peso del rack y de todos los equipos montados. Consulte la sección de Especificaciones para ver el peso y capacidad del gabinete.**



7. Instalación del equipo

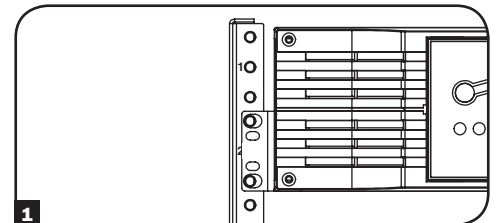
Advertencia: No instale equipos hasta que haya estabilizado el rack. Instale primero los equipos más pesados en la parte inferior del rack. Instálelos de abajo hacia arriba, nunca en sentido contrario. Si usa rieles para equipos deslizantes, tenga cuidado al extender los rieles. No extienda más de un juego de rieles por vez. Evite extender rieles de equipos deslizantes cerca de la parte superior del rack.

Nota: Los orificios cuadrados en el centro de cada unidad del rack están numerados y también incluyen una pequeña muesca para identificarlos. Una sola unidad de rack incluye el espacio ocupado por el orificio numerado y los orificios ubicados directamente encima y debajo.



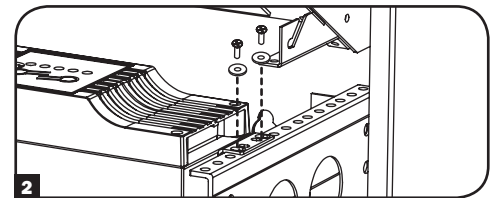
ADVERTENCIA: Siga las instrucciones de la documentación de sus equipos para instalarlos correctamente.

- 1 Ubique las aberturas numeradas en los rieles de instalación en donde planea instalar los equipos. Baje su equipo hacia dentro del gabinete y ajústelo sobre los rieles de instalación, alineando los orificios de instalación en el equipo, con los orificios de instalación de los rieles de instalación.



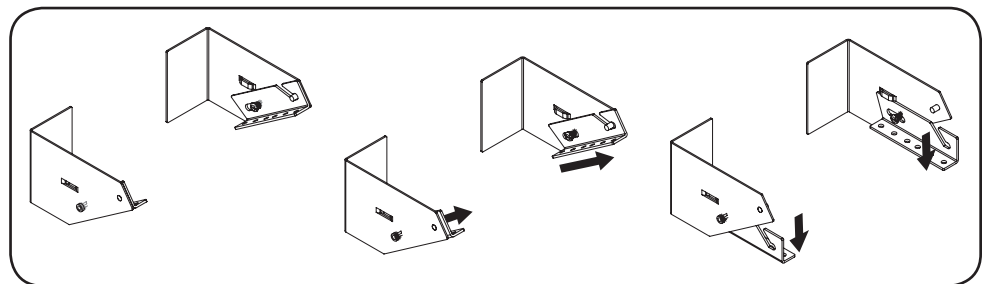
- 2 Utilice los tornillos y las arandelas de instalación incluidos para asegurar su equipo al riel del gabinete. Coloque las arandelas entre los tornillos y los soportes de instalación del equipo.

Nota: Su equipo también puede incluir herramientas de montaje. Lea las instrucciones de montaje de su equipo antes de instalarlo.



8. Instalación Opcional del Panel de Conexiones

La unidad viene con un soporte de instalación deslizante, integrado, en la parte superior del gabinete. Se puede utilizar para asegurar un panel de conexión al soporte de instalación del panel de conexión, utilice los tornillos de instalación y las arandelas incluidas para asegurar su equipo al riel del gabinete. Coloque las arandelas entre los tornillos y el soporte de instalación del panel de conexión.



9. Especificaciones

Modelo	Dimensiones (A x A x P)	Peso de la unidad	Capacidad de carga*	Profundidad de montaje (ajustable)
SRWF2U	28.8" x 25.6" x 4.5" (732 x 651 x 114 mm)	41.9 lb (19 kg)	150 lb (68.1 kg)	17" to 20" (432 to 508 mm)
SRWF2U36	43" x 25.6" x 4.5" (1092 x 651 x 114 mm)	59.5 lb (27 kg)	150 lb (68.1 kg)	33" to 36" (838 to 914 mm)
SRWF4U	28.8" x 25.6" x 8" (732 x 651 x 203 mm)	44.1 lb (20 kg)	150 lb (68.1 kg)	17" to 20" (432 to 508 mm)
SRWF4U36	43" x 25.6" x 8" (1092 x 651 x 203 mm)	61.7 lb (28 kg)	150 lb (68.1 kg)	33" to 36" (838 to 914 mm)
SRWF5U	28.8" x 25.6" x 9.7" (732 x 651 x 247 mm)	45 lb (20.4 kg)	150 lb (68.1 kg)	17" to 20" (432 to 508 mm)
SRWF5U36	43" x 25.6" x 9.7" (1092 x 651 x 247 mm)	55 lb (25 kg)	150 lb (68.1 kg)	33" to 36" (838 to 914 mm)
SRWF6U	28.8" x 25.6" x 11.5" (732 x 651 x 292 mm)	55.1 lb (25 kg)	150 lb (68.1 kg)	17" to 20" (432 to 508 mm)
SRWF6U36	43" x 25.6" x 11.5" (1092 x 651 x 292 mm)	77.2 lb (35 kg)	150 lb (68.1 kg)	33" to 36" (838 to 914 mm)

* La capacidad de carga total para montar en pared requiere una superficie de montaje capaz de soportar toda la carga.

10. Almacenamiento y servicio

Almacenamiento

El rack debe almacenarse en un ambiente interior controlado, lejos de la humedad, temperaturas extremas, líquidos y gases inflamables, contaminantes conductores, polvo y luz solar directa. Si es posible, almacénelo en su contenedor de envío original.

Mantenimiento

Su producto Tripp Lite está cubierto por la garantía descrita en este manual. Tripp Lite también pone a su disposición una variedad de Garantías extendidas y Programas de servicio técnico en el sitio. Si desea más información sobre el servicio técnico, visite www.tripplite.com/support. Antes de devolver su producto para servicio técnico, siga estos pasos:

1. Revise la instalación y los procedimientos de operación que se encuentran en este manual para asegurarse de que el problema de servicio no se debe a una mala lectura de las instrucciones.
2. Si el problema persiste, no se comunique ni devuelva el producto al mayorista. En cambio, visite www.tripplite.com/support.
3. Si el problema exige servicio técnico, visite www.tripplite.com/support y haga clic en el enlace Devoluciones de productos. Desde aquí puede solicitar un número de Autorización de Material Devuelto (RMA), que se necesita para el servicio técnico. En este sencillo formulario en línea se le solicitarán los números de serie y modelo de la unidad, junto con otra información general del comprador. El número RMA y las instrucciones para el envío se le enviarán por correo electrónico. La presente garantía no cubre ningún daño (directo, indirecto, especial o consequential) del producto que ocurra durante el envío a Tripp Lite o a un centro de servicio técnico de Tripp Lite autorizado. Los productos enviados a Tripp Lite o a un centro de servicio técnico de Tripp Lite autorizado deben tener prepagos los cargos de transporte. Escriba el número RMA en el exterior del embalaje. Si el producto se encuentra dentro del período de garantía, adjunte una copia de su recibo de venta. Envíe el producto para servicio técnico mediante un transportador asegurado a la dirección que se le proporcionó cuando solicitó el número RMA.

11. Garantía

Garantía limitada por 5 años

El vendedor garantiza que este producto no tiene defectos originales de materiales ni de mano de obra por un período de cinco años a partir de la fecha original de compra, si se utiliza de acuerdo con todas las instrucciones correspondientes. En caso de demostrarse dentro de ese período que el producto tiene defectos de materiales o de mano de obra, el vendedor lo reparará o reemplazará a su exclusiva discreción.

ESTA GARANTÍA NO CUBRE EL DESGASTE NORMAL NI LOS DAÑOS CAUSADOS POR ACCIDENTES, MAL USO, ABUSO O NEGLIGENCIA. EL VENDEDOR NO OFRECE NINGUNA GARANTÍA EXPRESA QUE NO SEA LA ESTABLECIDA EXPRESAMENTE EN EL PRESENTE DOCUMENTO. EXCEPTO EN LA MEDIDA EN QUE LO PROHÍBAN LAS LEYES APLICABLES, LA DURACIÓN DE TODAS LAS GARANTÍAS IMPLÍCITAS, INCLUIDAS LAS DE COMERCIABILIDAD O APTITUD, SE LIMITA AL PERÍODO DE GARANTÍA ANTES MENCIONADO Y ESTA GARANTÍA EXCLUYE EXPRESAMENTE TODOS LOS DAÑOS INCIDENTALES E INDIRECTOS. (Algunos Estados no permiten las limitaciones a la duración de una garantía implícita y otros Estados no permiten la exclusión o limitación de los daños incidentales o indirectos, de modo que las limitaciones o exclusiones antes mencionadas pueden no corresponder en su caso. Esta garantía le otorga derechos legales específicos y usted puede tener otros derechos que varían de una jurisdicción a otra).

ADVERTENCIA: Antes de usar este dispositivo, cada usuario debe ocuparse de determinar si es apto, adecuado o seguro para el uso que pretende darle. Dado que las aplicaciones individuales están sujetas a diversas variaciones, el fabricante no representa ni garantiza la idoneidad o condición de estos dispositivos para cualquier aplicación específica.

Cumplimiento de las normas de los números de identificación

Para fines de identificación y certificación del cumplimiento de las normas, su producto Tripp Lite tiene asignado un número de serie único. Puede encontrar el número de serie en la etiqueta de la placa de identificación del producto, junto con los símbolos de aprobación e información requeridos. Al solicitar información sobre el cumplimiento de las normas para este producto, siempre mencione el número de serie. El número de serie no debe ser confundido con el nombre de identificación ni con el número de modelo del producto.

Tripp Lite tiene la política de mejora continua. Las especificaciones están sujetas a cambios sin notificación previa.

