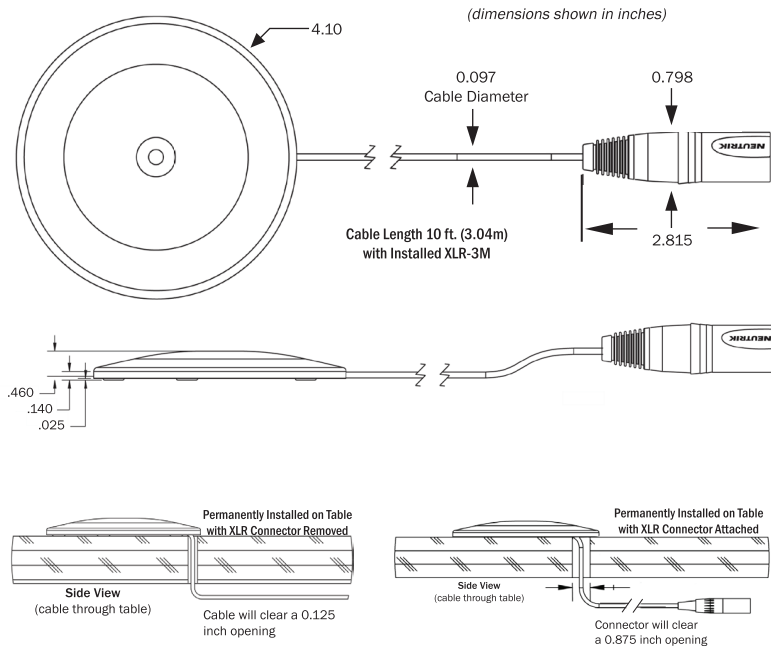


Dimension Drawings



Specifications

Frequency Response: 60Hz -30kHz \pm 3dB @ 1 ft	Noise: 19.5dB SPL (A weighted)
Low Frequency Rolloff: 60Hz, 15dB/octave	Output: XLR-3M (pin 2+)
Polar Pattern: True Semisphere™	Min. Output Load: 1K between pins 2 & 3
Sensitivity: -25dB	Dimensions: 4.1 x 4.1 x 0.45 inches (104.1 x 104.1 x 11.4 mm)
Power Requirements: 24V - 48V Phantom, 10mA	Cable Length: 10' (3.04m)
Max Acoustic Input: 136dB SPL @ 1kHz	Connector Type: XLR-3M
Dynamic Range: 116dB @ 1kHz	Weight: 0.36 lbs (162g)
Signal to Noise Ratio: 74dB @ 1kHz	

Specifications subject to change without notice

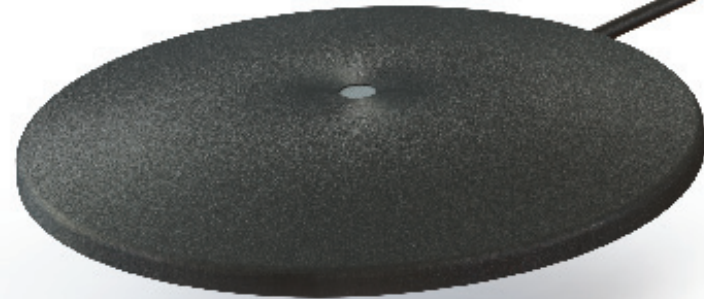
Register your microphone online at earthworksaudio.com/register

Earthworks Inc • 37 Wilton Road, Milford, NH 03055, USA
Email: info@earthworksaudio.com • Phone: 603-654-2433 • Fax: 603-654-6107

CTB30

Boundary Microphone

User's Guide



Earthworks®
INSTALLED SOUND PRODUCTS

CTB30 Table Top Boundary Microphone

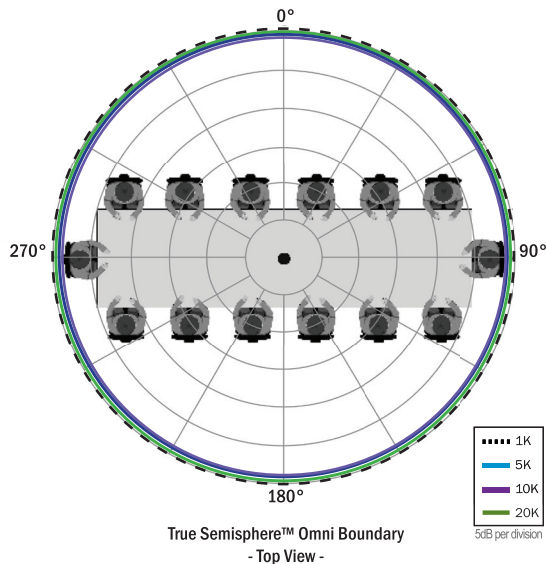
Earthworks CTB30 boundary microphones provide incredible speech intelligibility from any direction at varying distances around a conference table or any extended flat surface. The near-perfect polar response will allow the use of fewer boundary microphones with far better results than with conventional boundary microphones. This makes the CTB30 ideal for boardrooms and other installations where a low profile aesthetic meets the high performance audio standards found in Earthworks microphones.

CTB30 Features

- Low profile, aesthetic design
- Near-perfect omnidirectional polar response
- Extended flat frequency response
- Special filter to reduce paper handling noise
- Anti-thump filter to reduce table thumping and HVAC noise
- RFI rejection

Polar Response

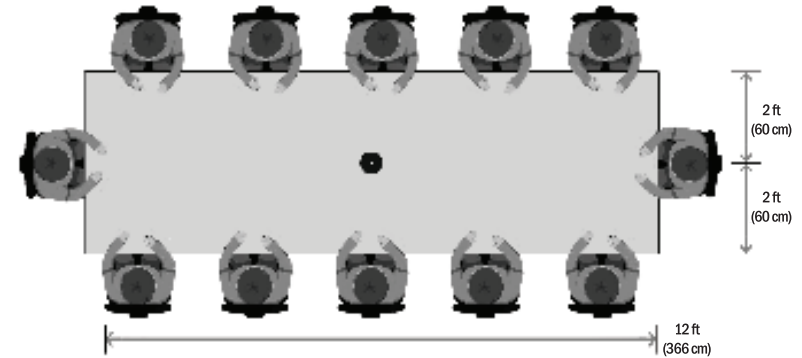
Conventional omni boundary microphones typically have significant high frequency losses at the sides and rear of the microphone. These high frequency losses will effect the clarity and intelligibility of the human voice.



In contrast, Earthworks True Semisphere™ pattern has a near perfect polar response, which will provide even coverage over 180° vertically and 360° horizontally without high frequency losses using only one microphone, thereby providing greater coverage overall and requiring fewer microphones.

Coverage Area

Earthworks CTB30's near-perfect omnidirectional polar pattern provides wide coverage for the user. It typically takes 1 CTB30 to provide even coverage for a 12' conference table that seats up to 12 people.



Placement & Installation

The CTB30 has a low profile and small footprint with rubber feet to provide isolation from the table or mounting surface. This microphone comes with a low profile 10 ft. (3.04m) output cable with installed standard XLR3-M connector and requires 24 to 48V @ 10ma phantom power.

For optimum results, the CTB30 should be placed or mounted no less than 18 inches from the edge of the table and be positioned at the recommended angles shown below. A keyhole is included on the bottom of the CTB30, so it can be secured to a flat or vertical surface. If changing the output connector is required, use the supplied connection information below.

